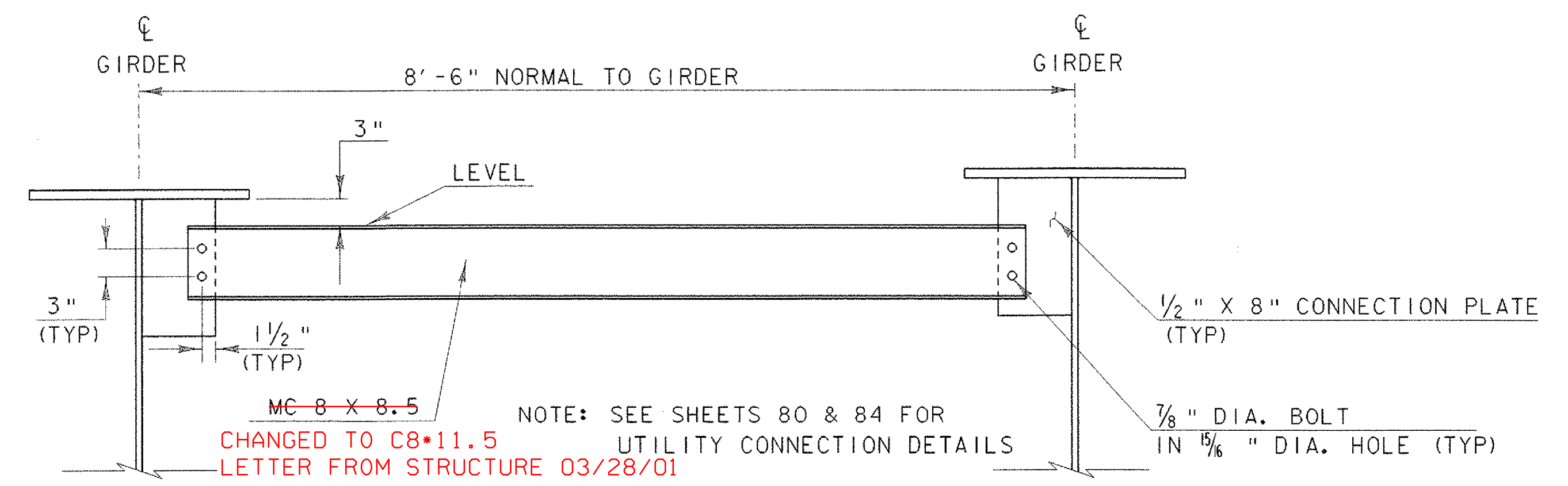


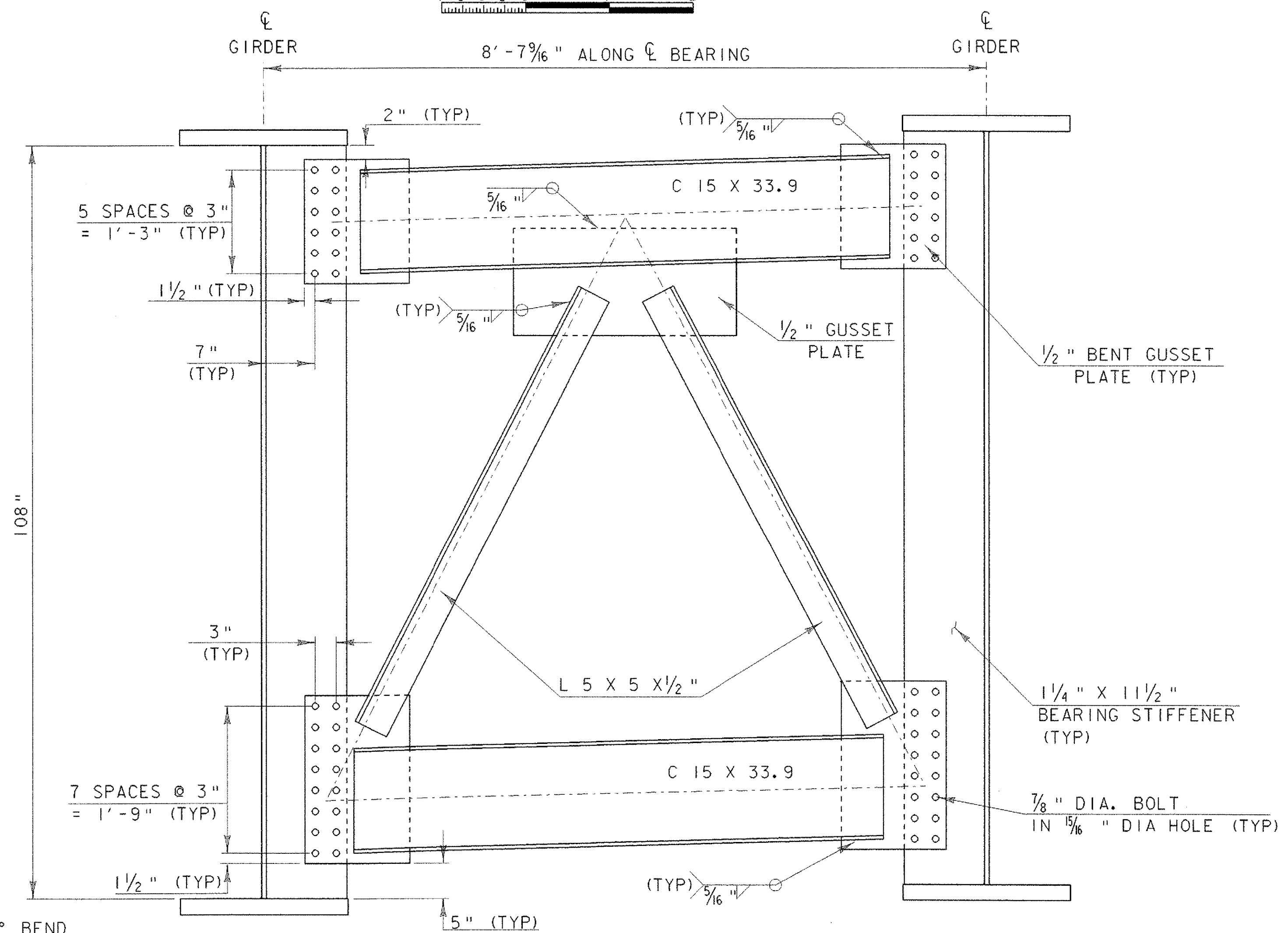
ABUTMENT CROSS FRAME

SCALE 1" = 1'-0"
1 9 6 3 0 2



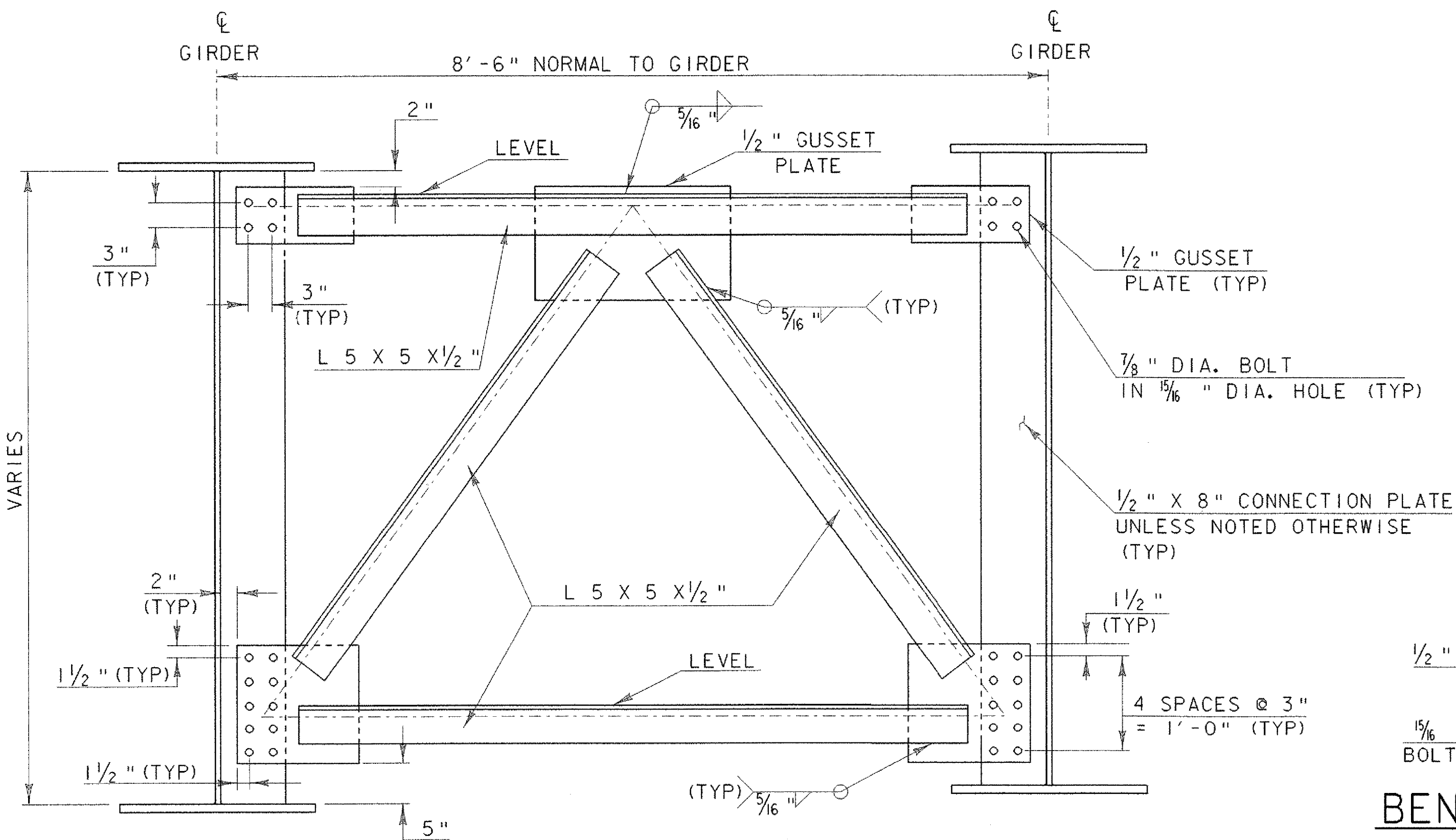
UTILITY DIAPHRAGM

SCALE 1" = 1'-0"
1 9 6 3 0 2



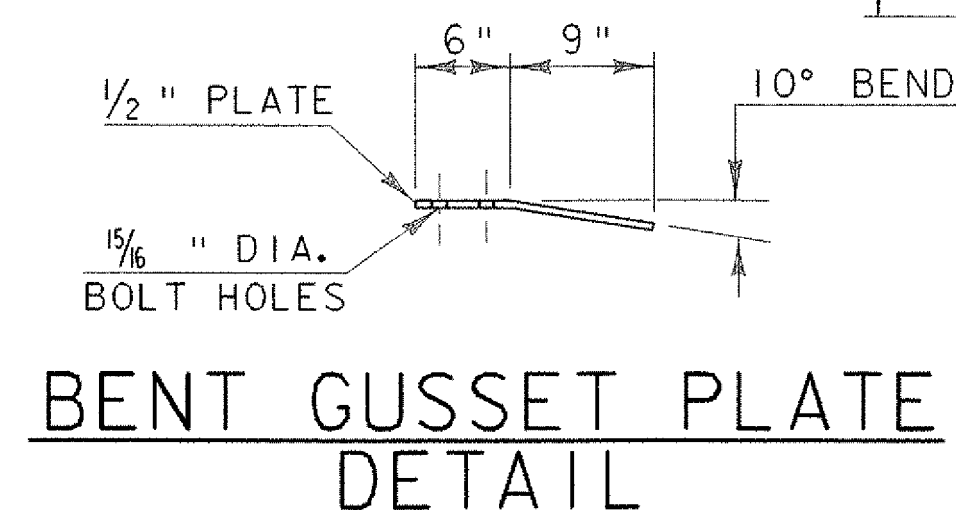
PIER CROSS FRAME

SCALE 1" = 1'-0"
1 9 6 3 0 2



INTERMEDIATE CROSS FRAME

SCALE 1" = 1'-0"
1 9 6 3 0 2



BENT GUSSET PLATE DETAIL

SCALE 1" = 1'-0"
1 9 6 3 0 2

PROJECT NAME: ROYALTON BRZ 1444 (22)
 PROJECT NUMBER:
 FILE NAME: 89j099/structures/sj099ssd.dgn PLOT DATE: 25-SEP-2000
 IPARM NAME: sj099diaphragm.i DRAWN BY: D.G. BASSETT
 PROJECT LEADER: C.P. WILLIAMS CHECKED BY: W.B. SYMONDS
 DESIGNED BY: W.B. SYMONDS
 DIAPHRAGM DETAILS SHEET 36 OF 118