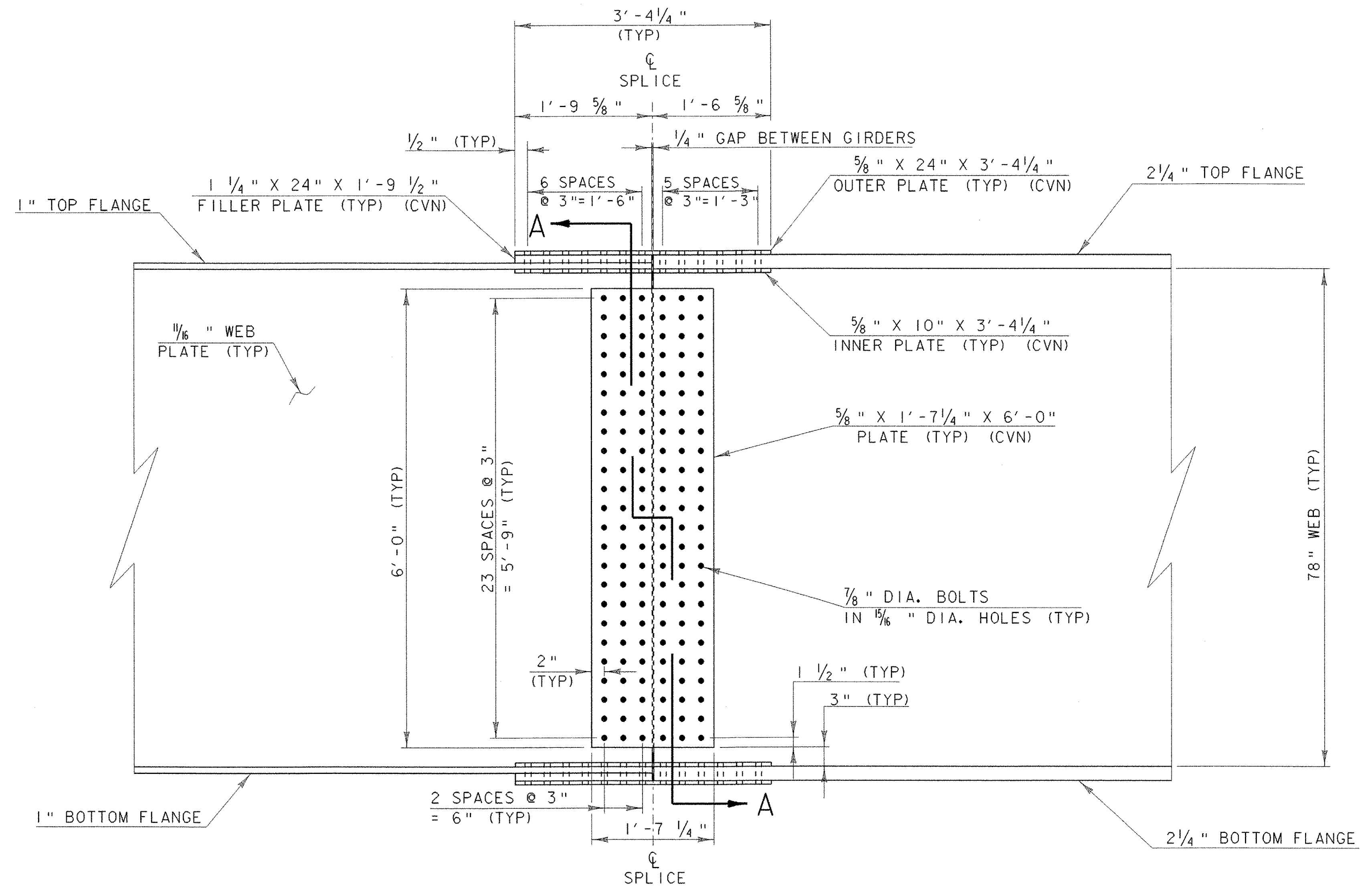
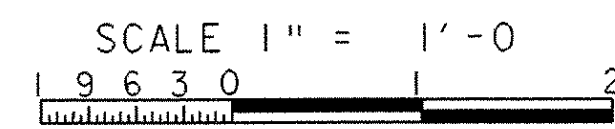
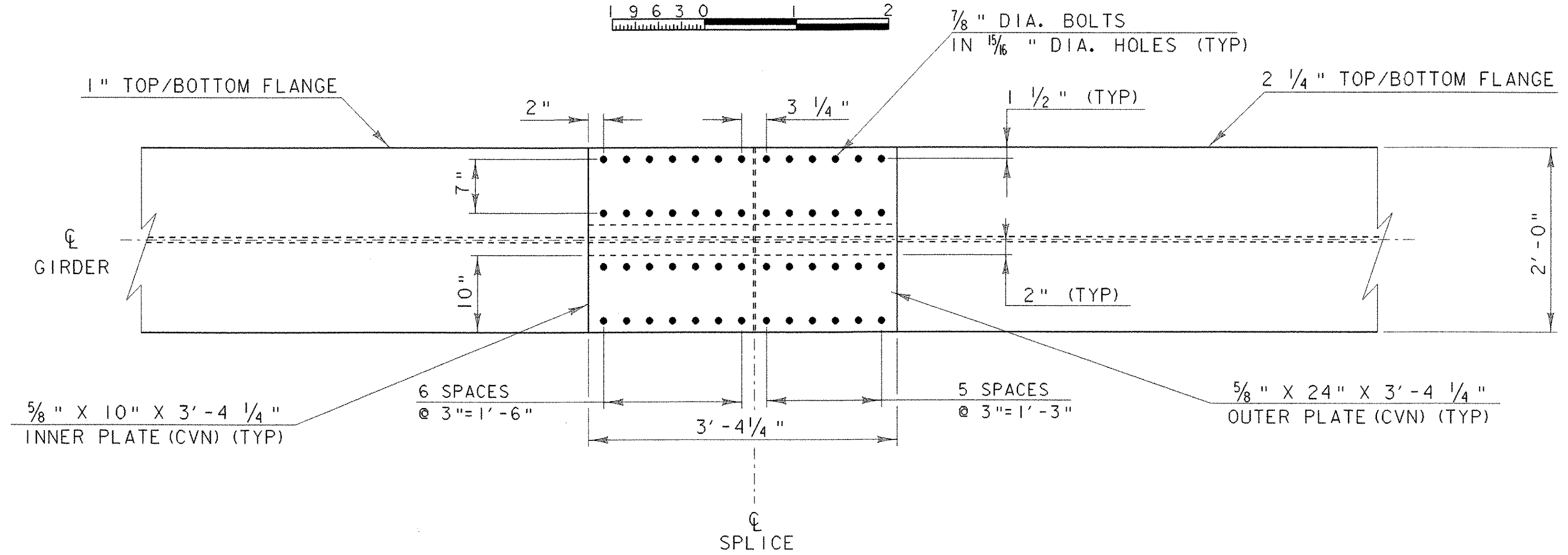
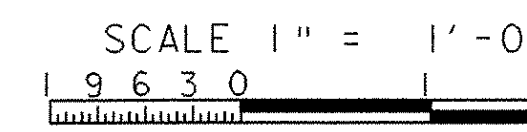


FIELD SPLICE SECTION "A - A"



FIELD SPLICE WEB ELEVATION



FIELD SPLICE TYPICAL FLANGE PLAN



PROJECT NAME:	ROYALTON BRZ 1444 (22)		
PROJECT NUMBER:			
FILE NAME:	89j099/structures/sj099ssd.dgn	PLOT DATE:	25-SEP-2000
IPARM NAME:	sj099splice.i	DRAWN BY:	D.G. BASSETT
PROJECT LEADER:	C.P. WILLIAMS	CHECKED BY:	W.B. SYMONDS
DESIGNED BY:	W.B. SYMONDS		
SPLICE DETAILS			SHEET 35 OF 118