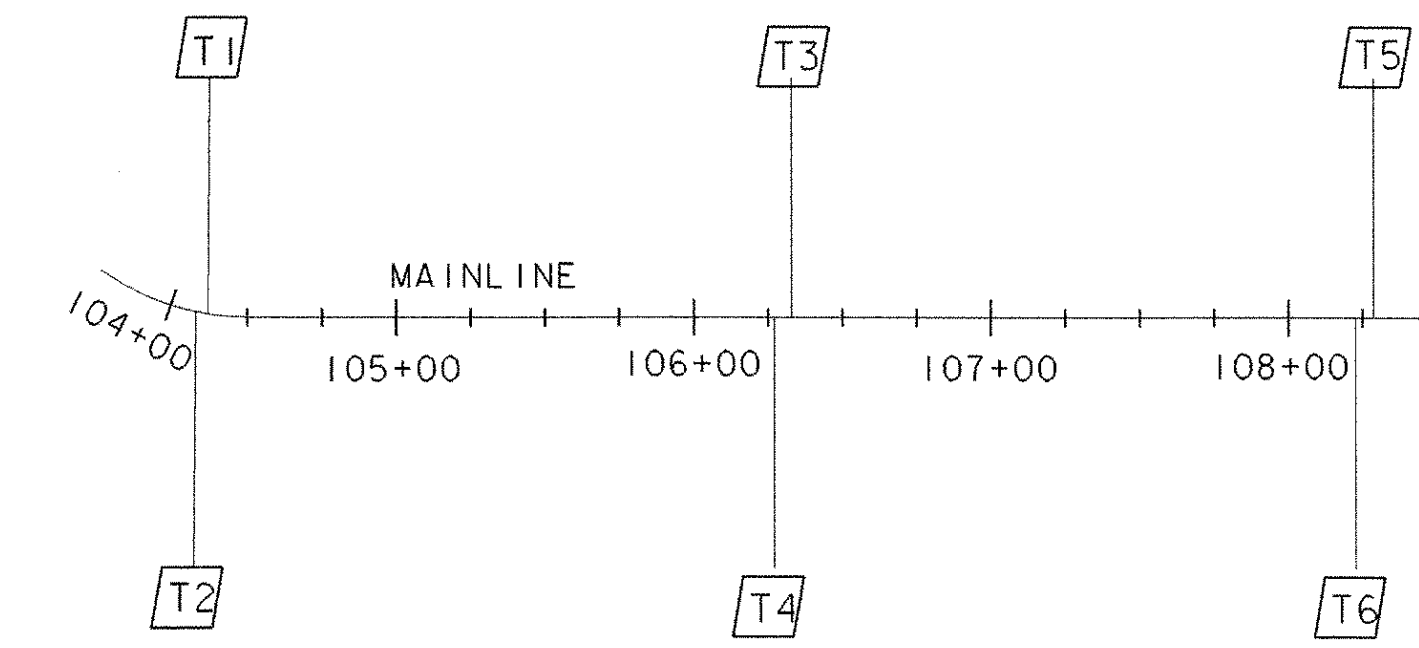


DECK TOWER REINFORCING PLAN

DECK TOWER @ ϕ PIER CURB SIDE SHOWN (OTHERS SIMILAR)

SCALE $\frac{3}{4}'' = 1'-0''$



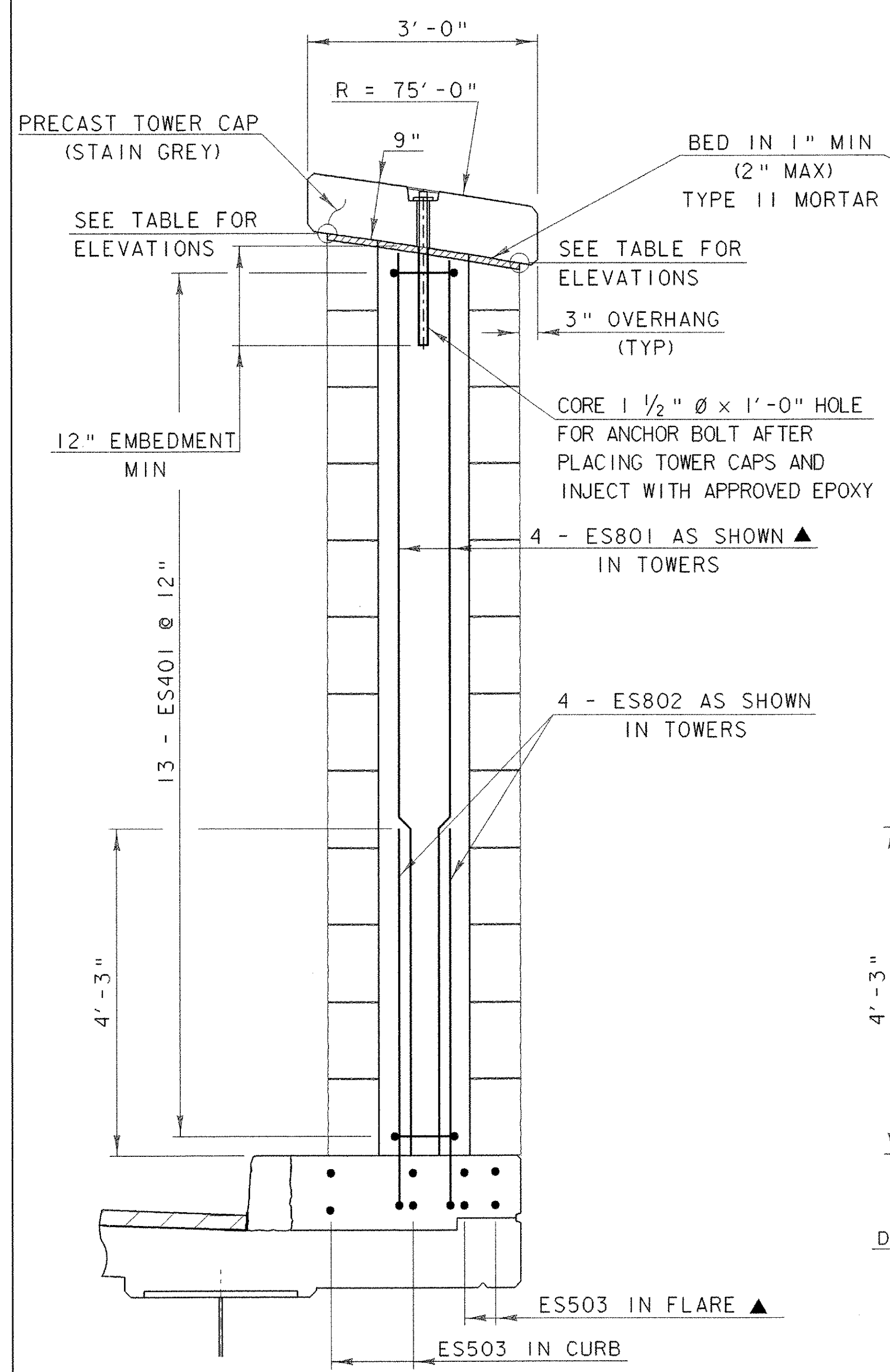
DECK TOWER LAYOUT

NTS

TOWER ELEVATIONS

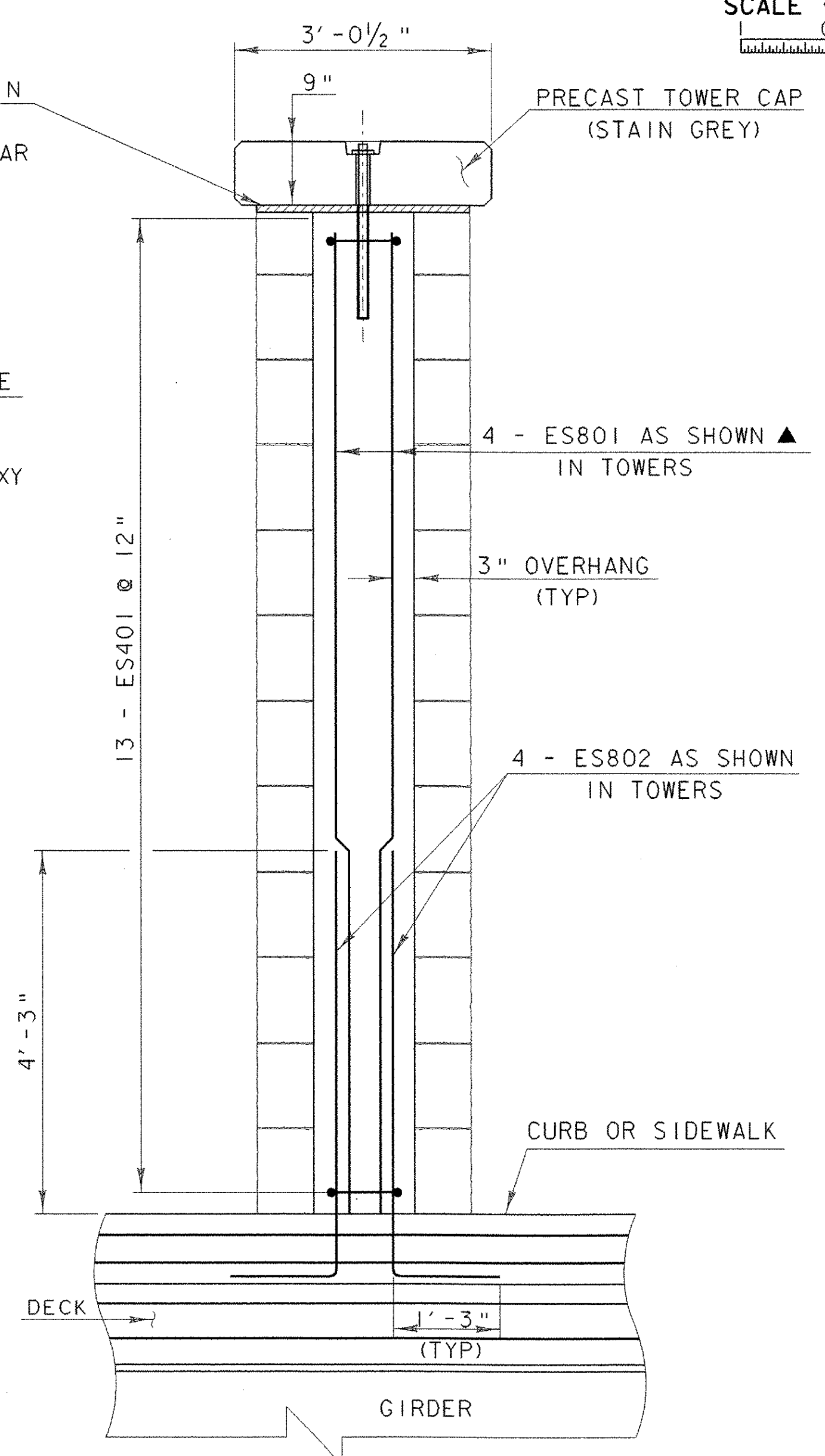
DECK TOWER ID	DECK TOWER HIGH SIDE	DECK TOWER LOW SIDE
T1	494.00	493.61
T2	494.00	493.61
T3	498.00	497.61
T4	498.00	497.61
T5	494.50	494.11
T6	494.50	494.11

ELEVATIONS ARE AT THE BOTTOM OF THE PRECAST TOWER CAP



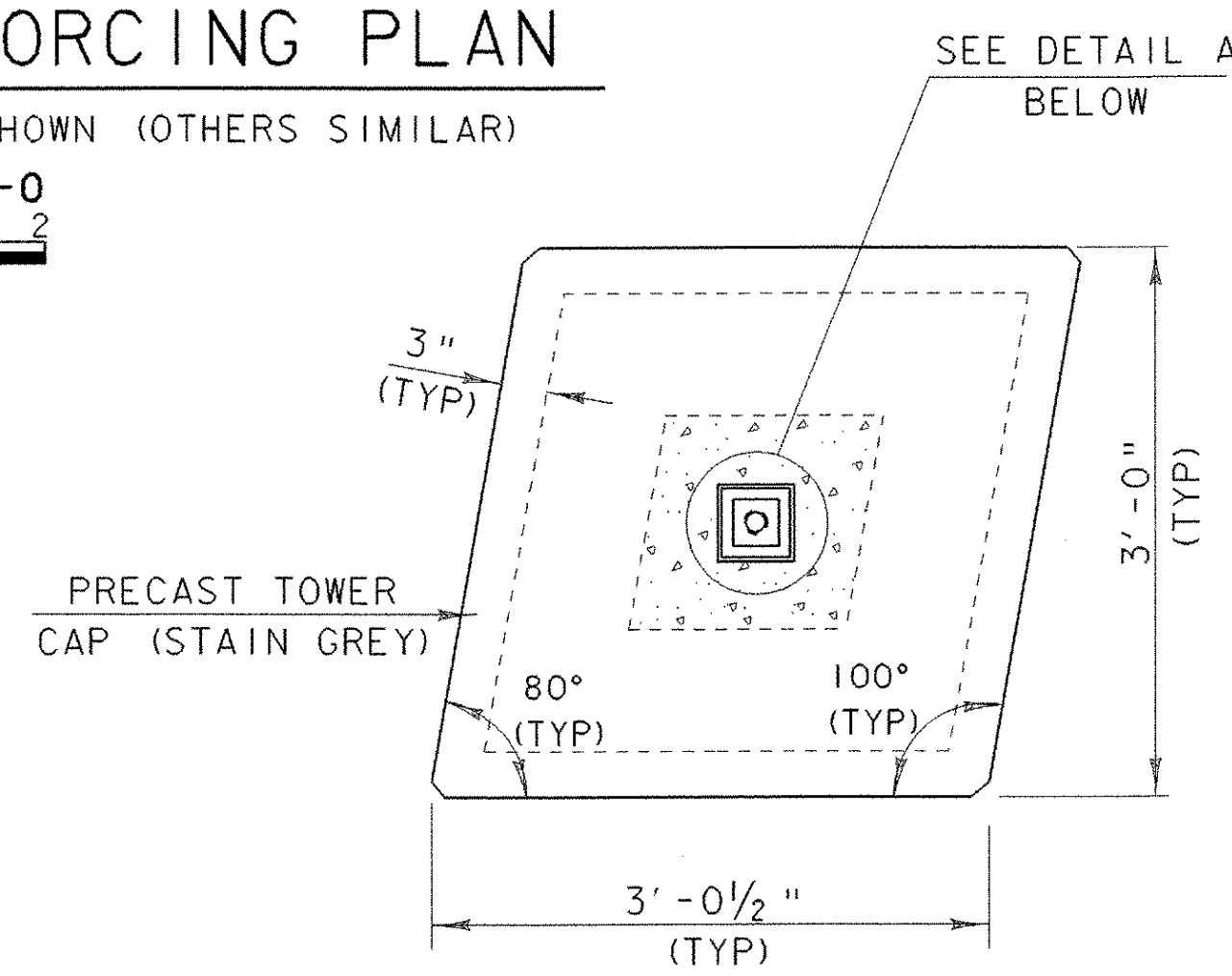
SECTION A-A

SCALE $\frac{3}{4}'' = 1'-0''$



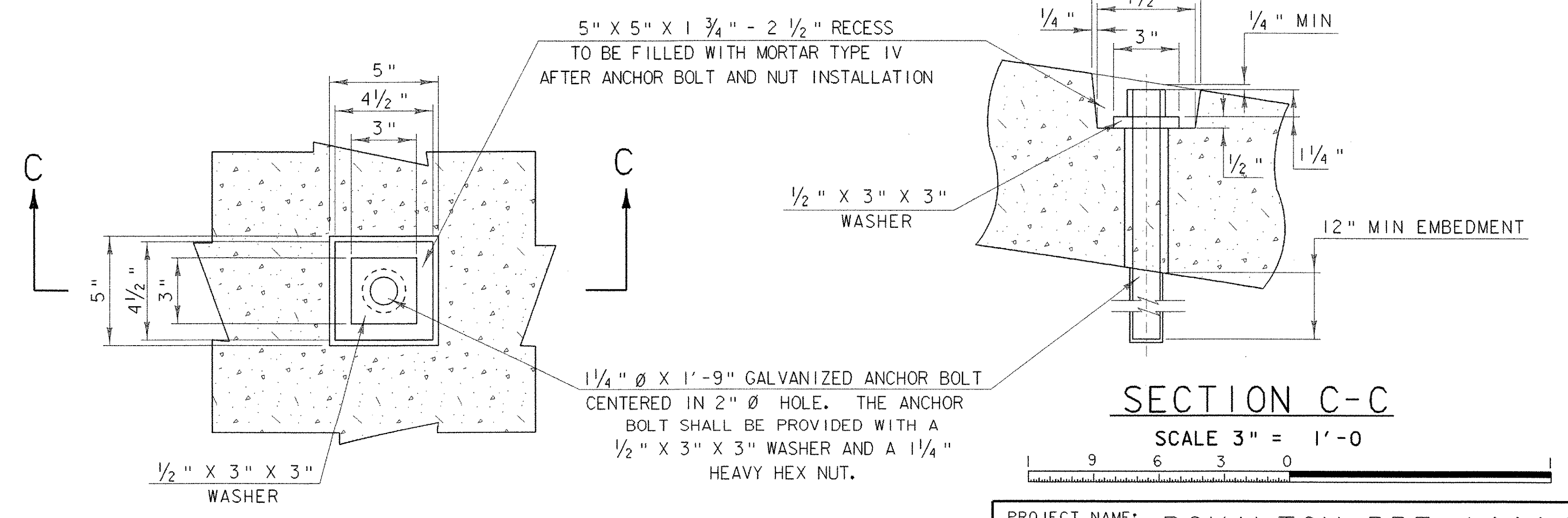
SECTION B-B

SCALE $\frac{3}{4}'' = 1'-0''$



DECK TOWER CAP PLAN

SCALE $1'' = 1'-0''$



DETAIL A

SCALE $3'' = 1'-0''$

SECTION C-C

SCALE $3'' = 1'-0''$

PROJECT NAME: ROYALTON BRZ 1444 (22)
 PROJECT NUMBER:
 FILE NAME: 89j099/structures/sj099sup2.dgn
 IPARM NAME: sj099decktow.i
 PROJECT LEADER: C.P. WILLIAMS
 DESIGNED BY: W.B. SYMONDS
 DECK TOWER DETAILS
 PLOT DATE: 25-SEP-2000
 DRAWN BY: K. M. HIGGINS
 CHECKED BY: W.B. SYMONDS
 SHEET 31 OF 118