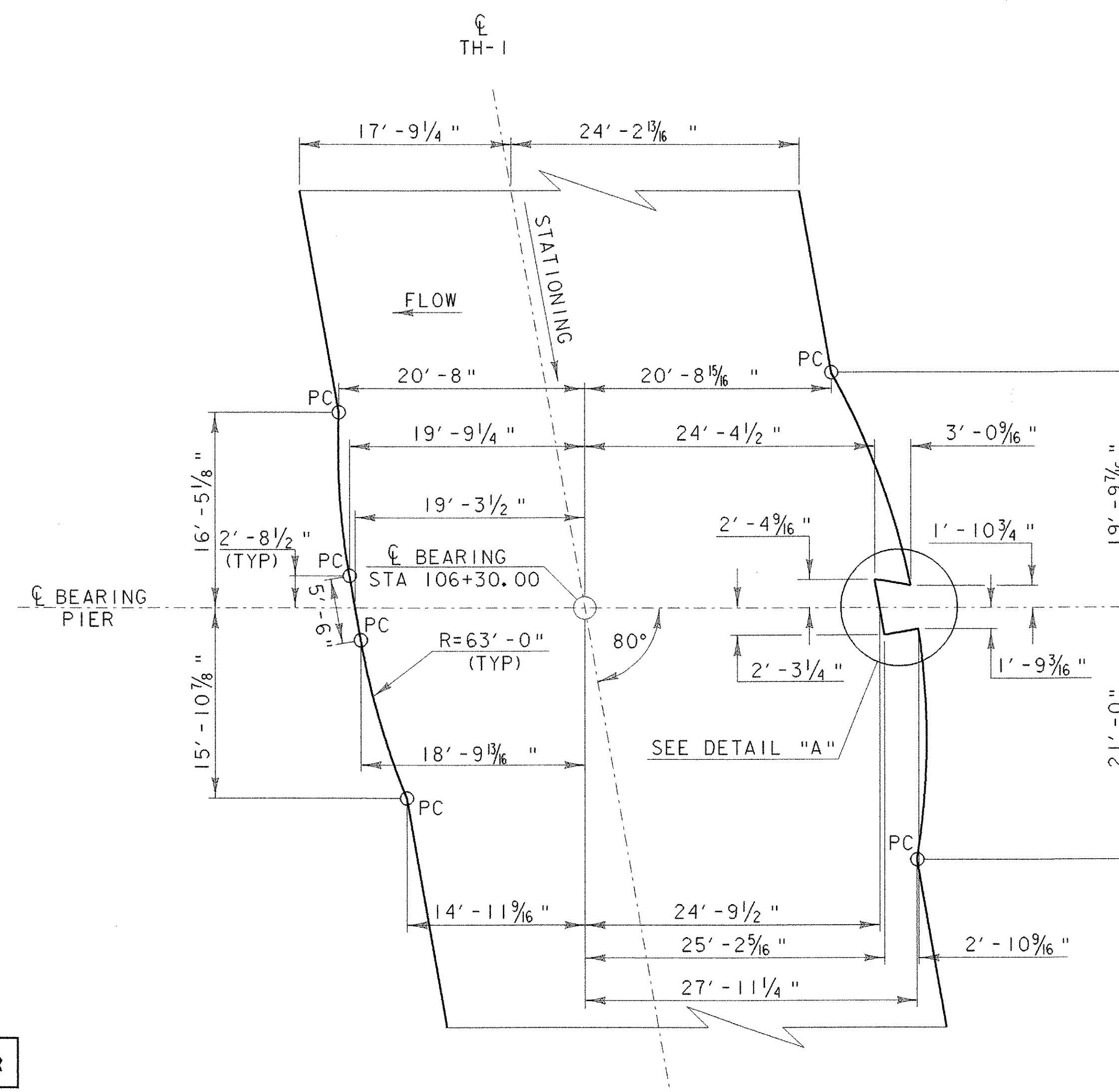


DECK PLAN DETAIL  
@ ABUTMENT #1

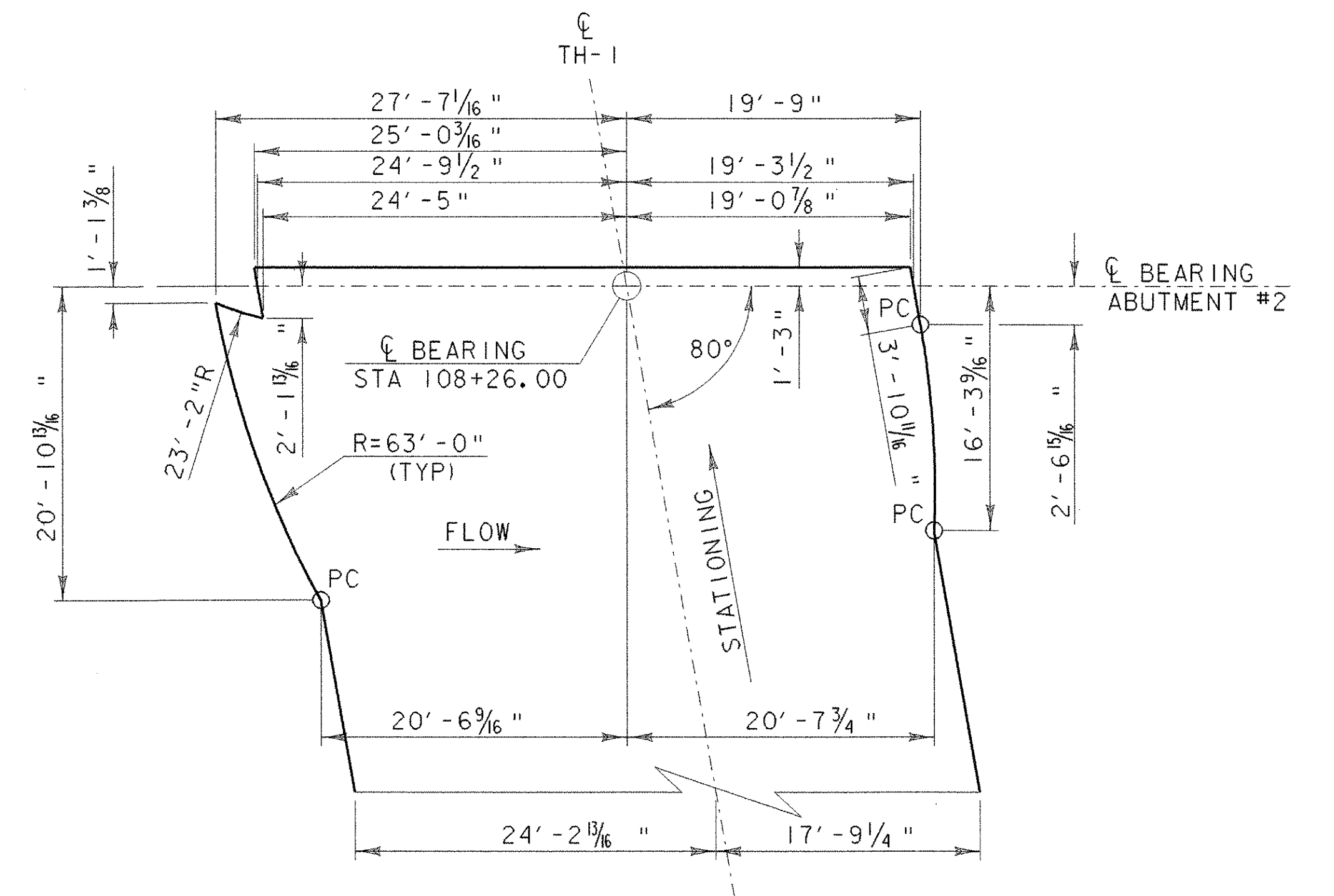
SCALE 1/8" = 1'-0"  
1 0 2 4 6 8

ADDITIONAL DIMENSIONING MAY BE REQUESTED BY THE RESIDENT ENGINEER



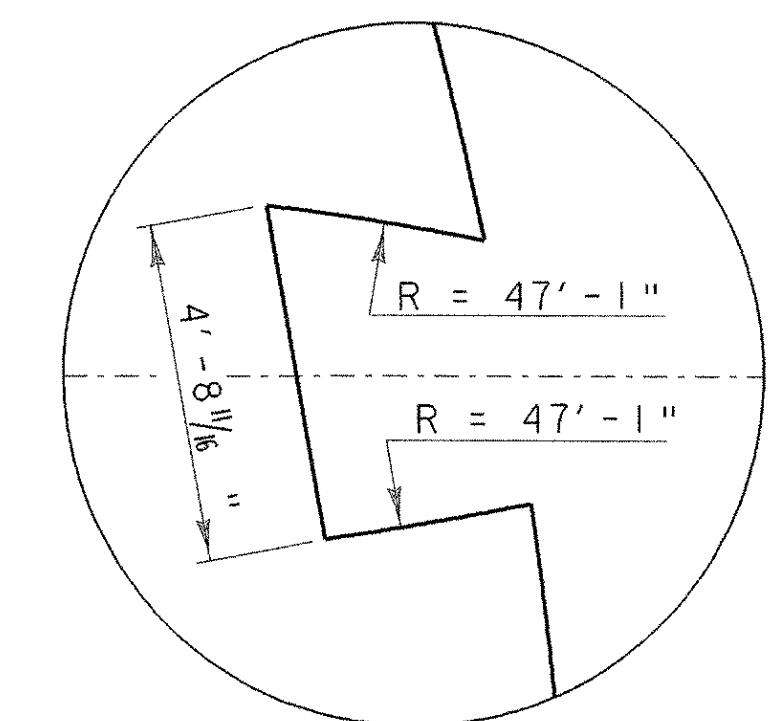
DECK PLAN DETAIL  
@ PIER

SCALE 1/8" = 1'-0"  
1 0 2 4 6 8



DECK PLAN DETAIL  
@ ABUTMENT #2

SCALE 1/8" = 1'-0"  
1 0 2 4 6 8



DETAIL "A"

SCALE 3/8" = 1'-0"  
1 0 1 2 3 4

PC = POINT OF CURVATURE

PROJECT NAME: ROYALTON BRZ 1444 (22)  
PROJECT NUMBER:  
FILE NAME: 89j099/structures/sj099sup.dgn  
IPARM NAME: sj099deckdetail.i  
PROJECT LEADER: C.P. WILLIAMS  
DESIGNED BY: W.B. SYMONDS  
DECK PLAN DETAIL  
PLOT DATE: 25-SEP-2000  
DRAWN BY: D.G. BASSETT  
CHECKED BY: W.B. SYMONDS  
SHEET 29 OF 118