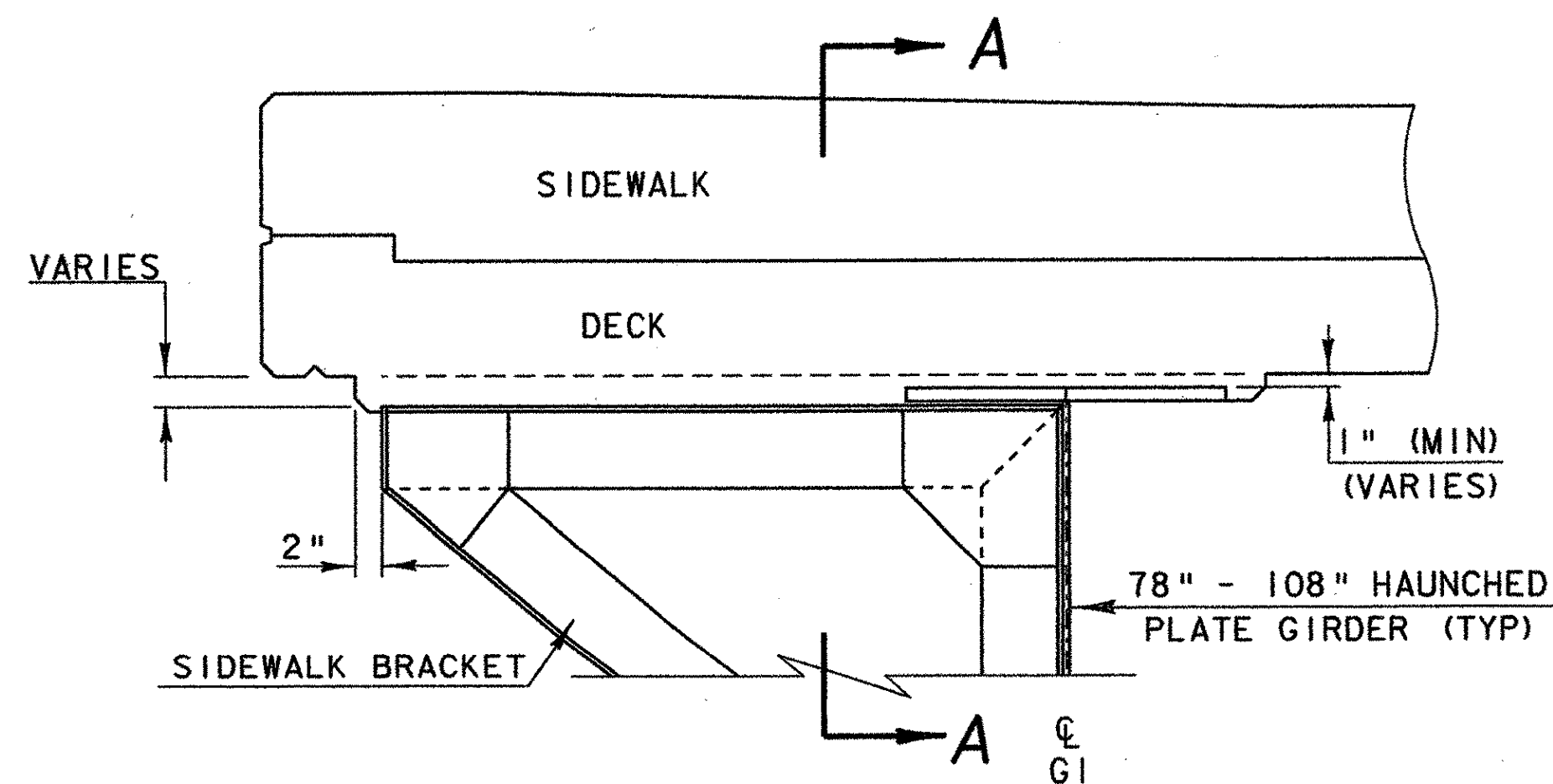


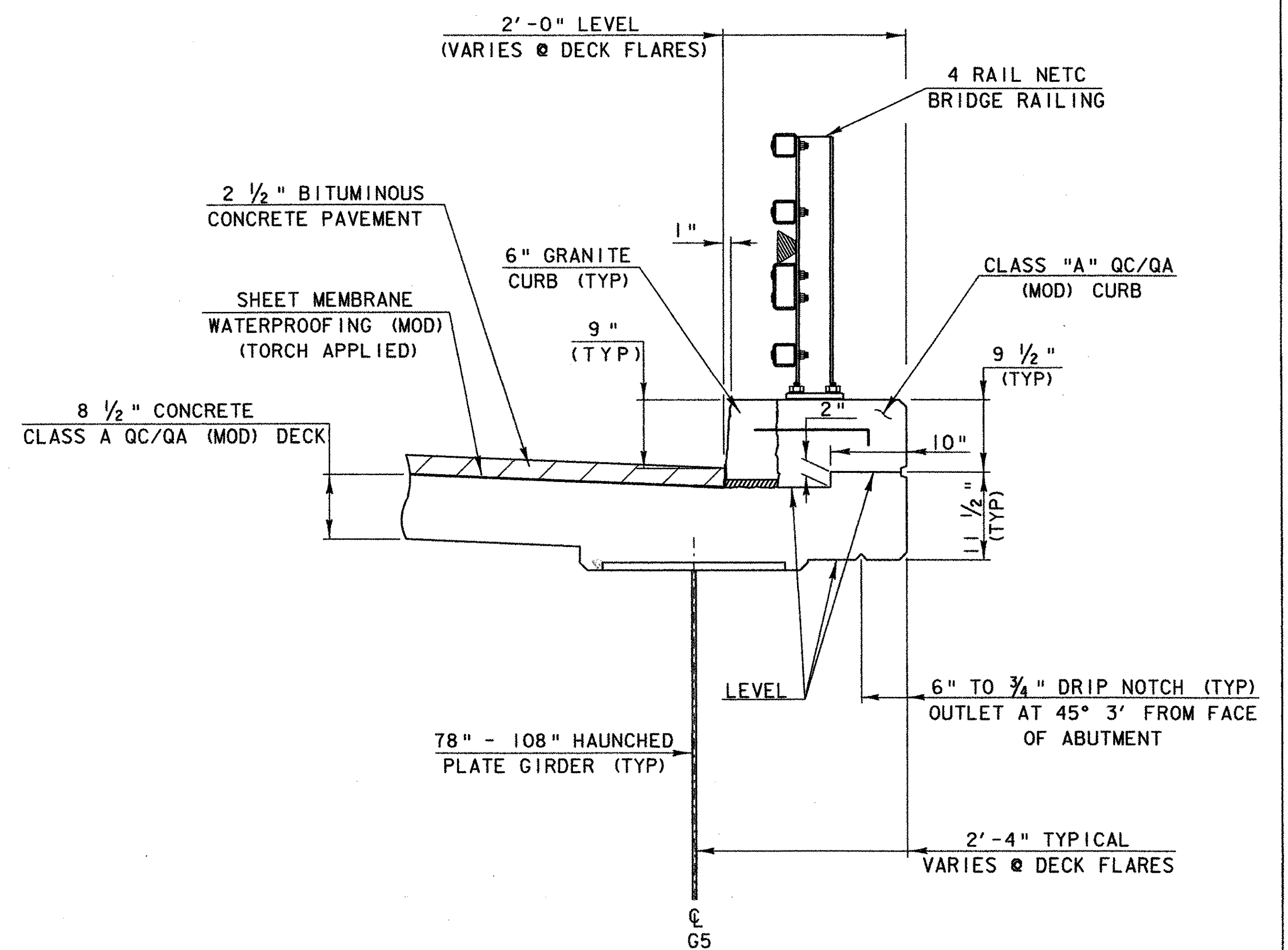
TYPICAL SIDEWALK SECTION

SCALE 1" = 1'-0"
1 9 6 3 0 2



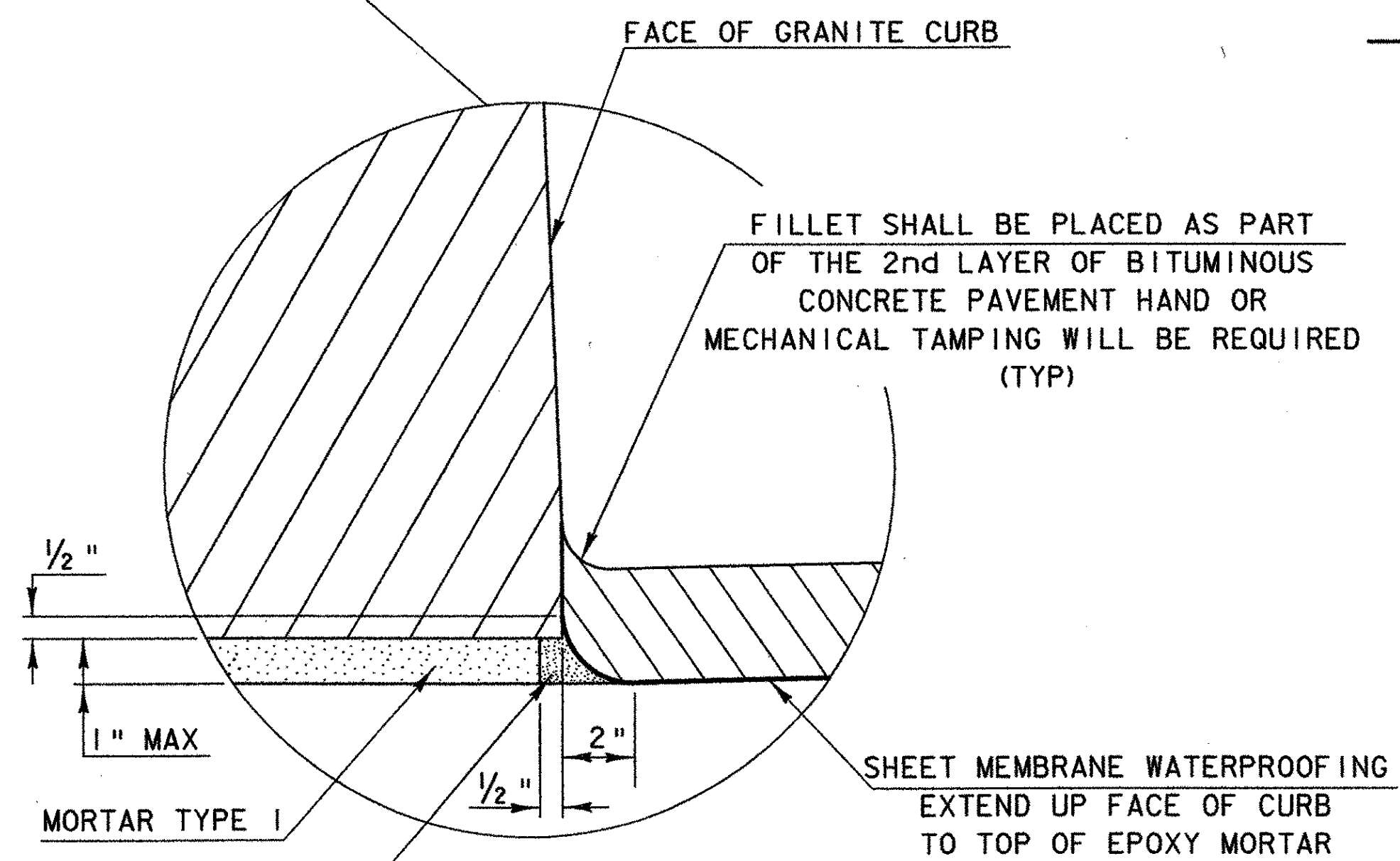
SIDEWALK BRACKET HAUNCH DETAIL

SCALE 1" = 1'-0"
1 9 6 3 0 2



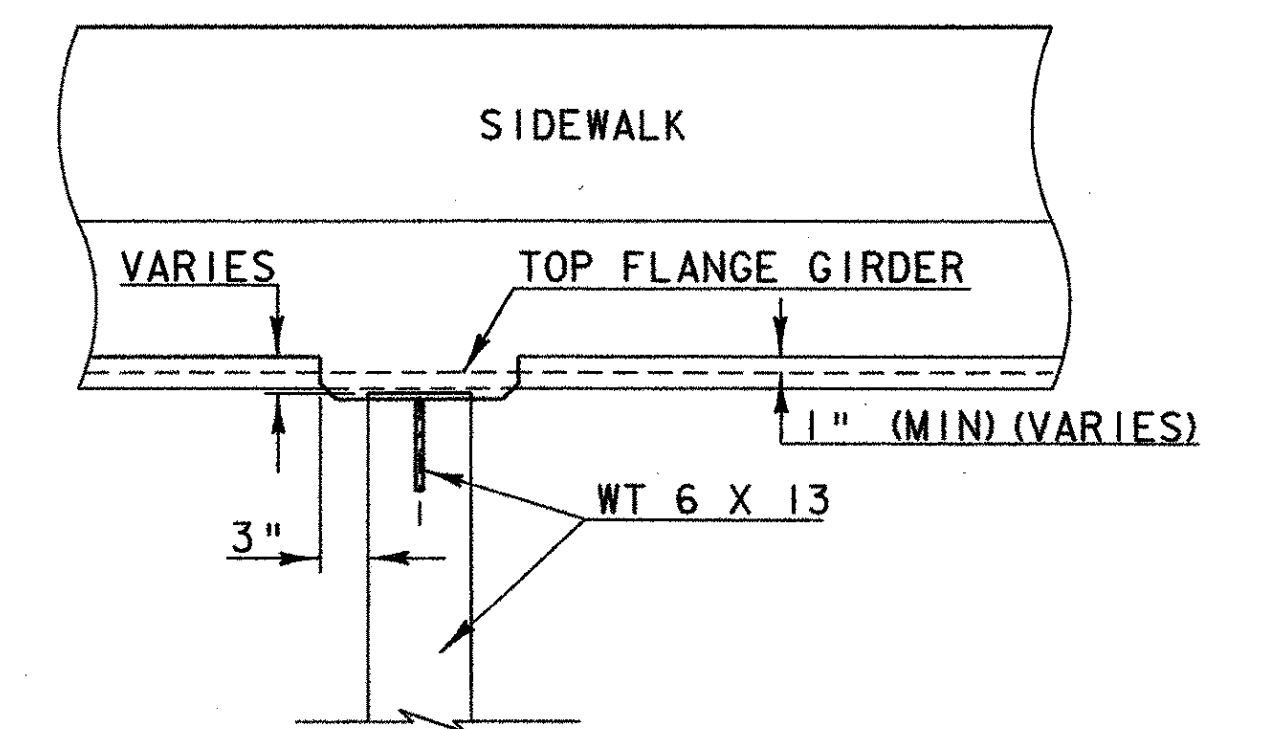
TYPICAL CURB SECTION

SCALE 1" = 1'-0"
1 9 6 3 0 2



EPOXY MORTAR
SANDBLAST CONTACT SURFACES PRIOR TO PLACEMENT. INCLUDED IN UNIT PRICE BID FOR GRANITE BRIDGE CURB. (TYP)

NOTE:
THE BACK FACE OF THE GRANITE CURB SHALL BE SATURATED SURFACE DRY IMMEDIATELY PRIOR TO PLACEMENT OF ADJACENT SIDEWALK OR CURB CONCRETE.



SECTION A-A

SCALE 1" = 1'-0"
1 9 6 3 0 2

PROJECT NAME: ROYALTON BRZ 1444 (22)
PROJECT NUMBER:
FILE NAME: 89j099/structures/sj099sup2.dgn PLOT DATE: 06-DEC-2000
IPARM NAME: sj099typcurb.i DRAWN BY: K. M. HIGGINS
PROJECT LEADER: C.P. WILLIAMS CHECKED BY: W.B. SYMONDS
DESIGNED BY: W.B. SYMONDS TYPICAL SIDEWALK & CURB SECTION SHEET 27 OF 118