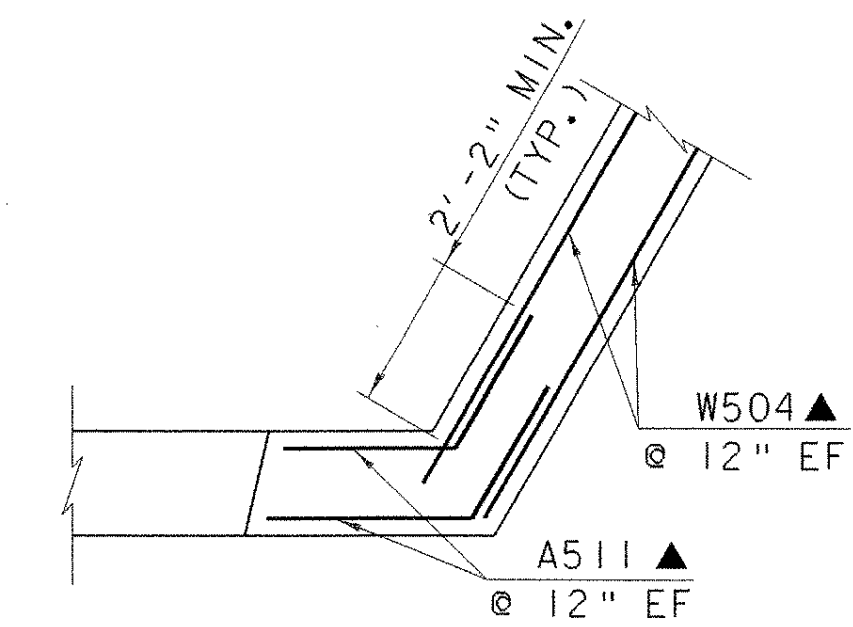
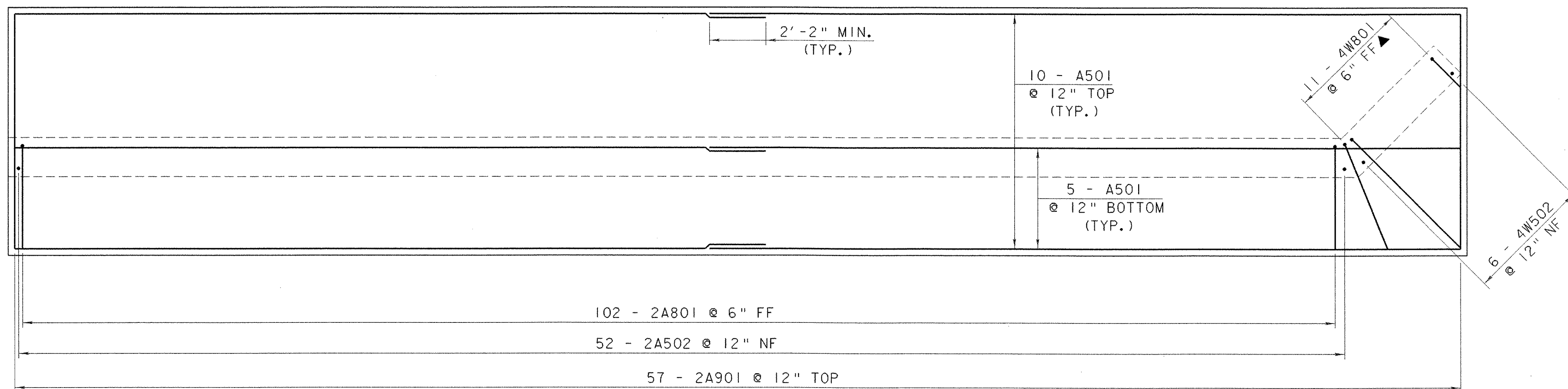


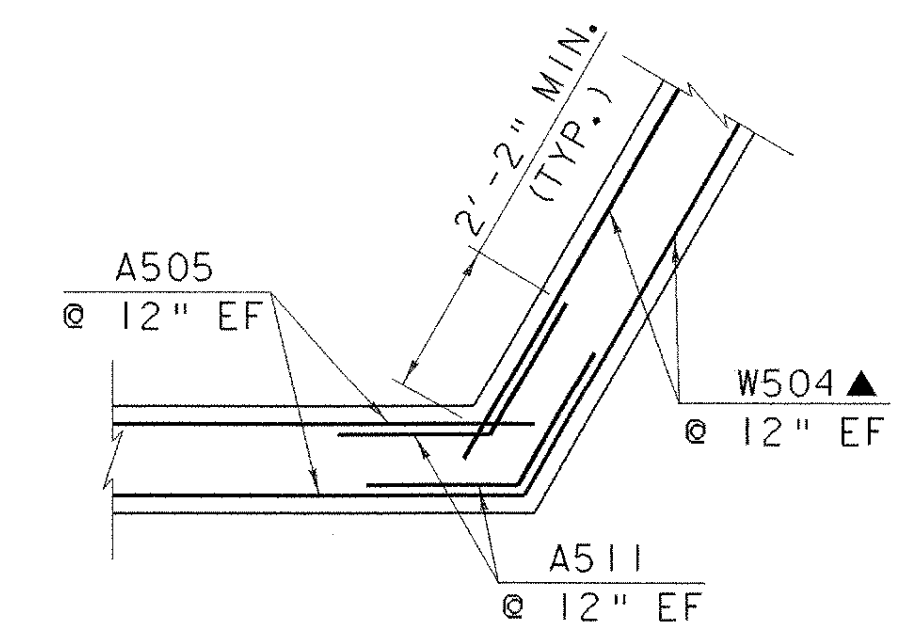
ABUTMENT NO. 1 FOOTING REINFORCING PLAN
SCALE: 3/8" = 1'-0"



WINGWALL NO. 1 CORNER REINFORCING ABOVE BRIDGE SEAT
SCALE: 3/8" = 1'-0"
(WINGWALL NO. 4 SIMILAR)



ABUTMENT NO. 2 FOOTING REINFORCING PLAN
SCALE: 3/8" = 1'-0"



WINGWALL NO. 1 CORNER REINFORCING BELOW BRIDGE SEAT
SCALE: 3/8" = 1'-0"
(WINGWALL NO. 4 SIMILAR)

NOTE:

NF = NEAR FACE
FF = FAR FACE
EF = EACH FACE
▲ = CUT TO FIT IN FIELD
3" CLR. UNLESS OTHERWISE SPECIFIED ON THE PLANS.

STATE OF VERMONT AGENCY OF TRANSPORTATION			
Town Of	HALIFAX	Bridge No.	28
Highway No.	T.H. 3	Log Sta.	
		Surv. Sta.	
T.H. 3 OVER THE BRANCH BROOK			
FOOTING REINFORCING DETAILS			
Designed By	T. SUMNER	Drawn By	K. CHISHOLM
Checked By	Date	Project Manager	
T.ASUMNER	8/00	R. R. WHITCOMB	Date 8/00
PROJECT	HALIFAX	PROJECT NO.	BRZ 1442 (18)
I.G.C. Info. /str3/89j092/sj092ab.dgn		sj092ftg.i	
Bridge Sheet No.		Sheet	23 of 33