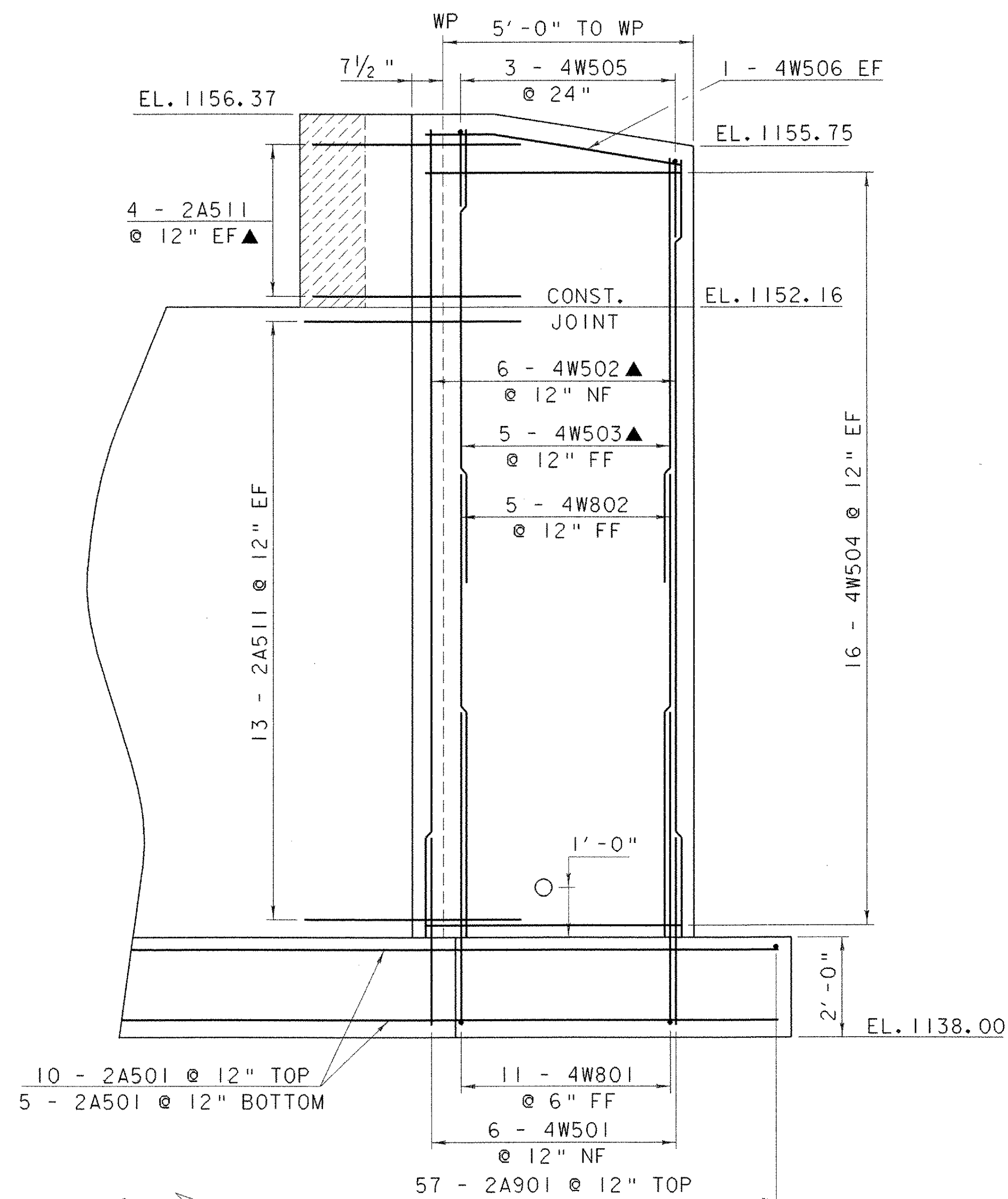


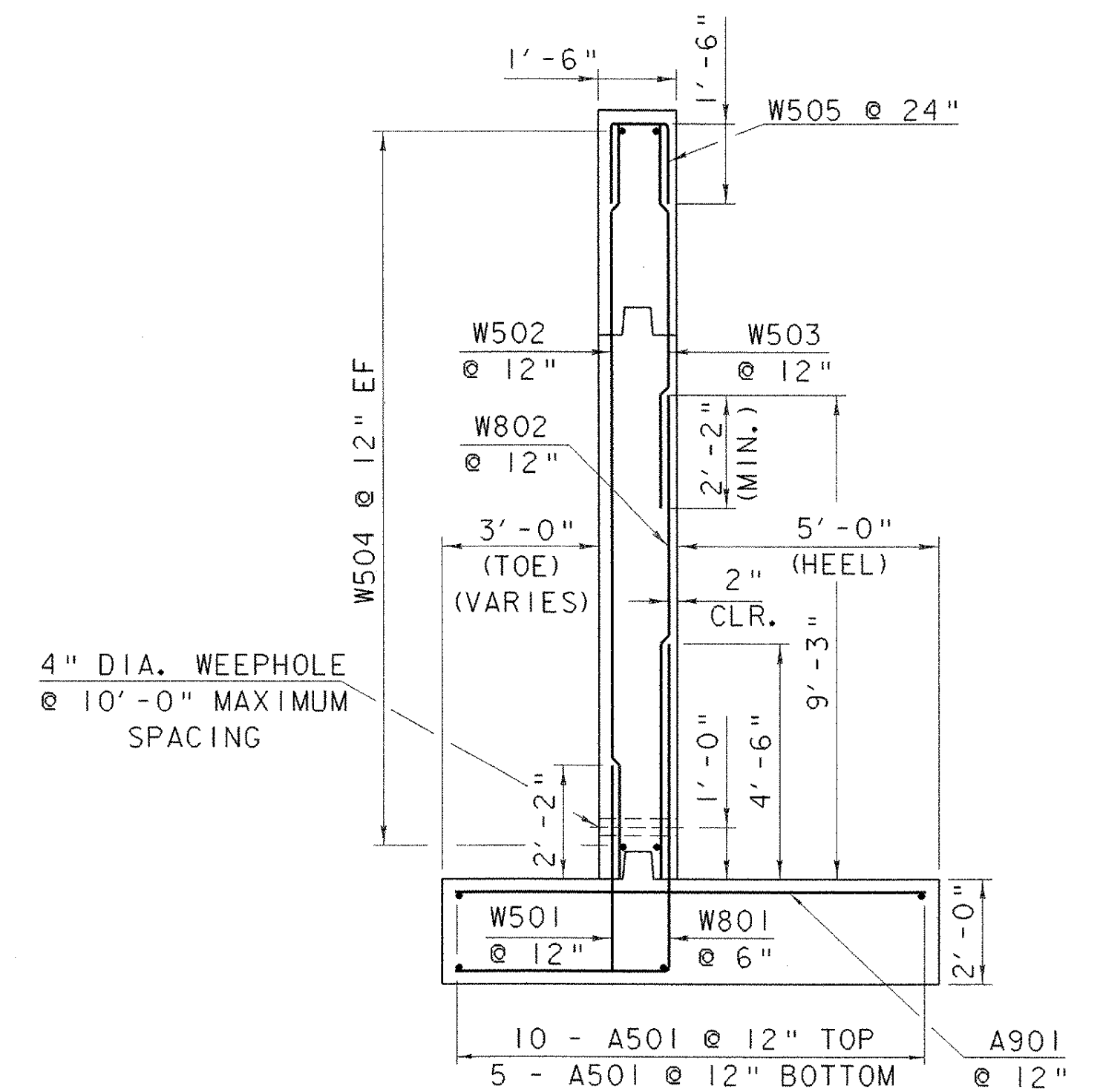
WINGWALL NO. 1 ELEVATION

SCALE: 1/2" = 1'-0"



WINGWALL NO. 4 ELEVATION

SCALE: 1/2" = 1'-0"



WINGWALL TYPICAL

SCALE: 3/8" = 1'-0"

NOTE:

- NF = NEAR FACE
- FF = FAR FACE
- EF = EACH FACE
- ▲ = CUT TO FIT IN FIELD
- 3" CLR. UNLESS OTHERWISE SPECIFIED ON THE PLANS.

STATE OF VERMONT AGENCY OF TRANSPORTATION	
Town Of HALIFAX	Bridge No. 28
Highway No. T.H. 3	Log Sta. Surv. Sta.
T.H. 3 OVER THE BRANCH BROOK	
WINGWALL DETAILS	
Designed By T. SUMNER	Drawn By K. CHISHOLM
Checked By T.A.SUMNER	Date 8/00
Project Manager R. R. WHITCOMB Date 8/00	
PROJECT HALIFAX	PROJECT NO. BRZ 1442 (18)
I.G.C. Info. /str3/89j092/sj092ab.dgn s j092ww.i	
Bridge Sheet No.	Sheet 22 of 33