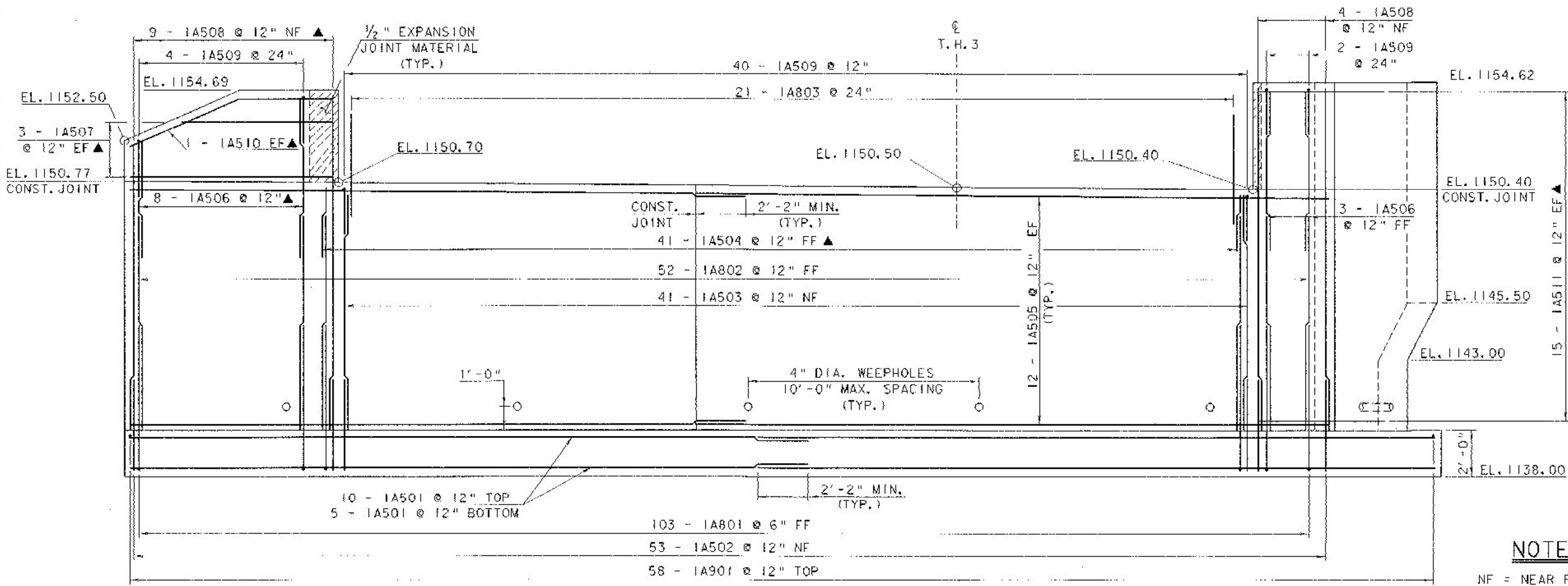


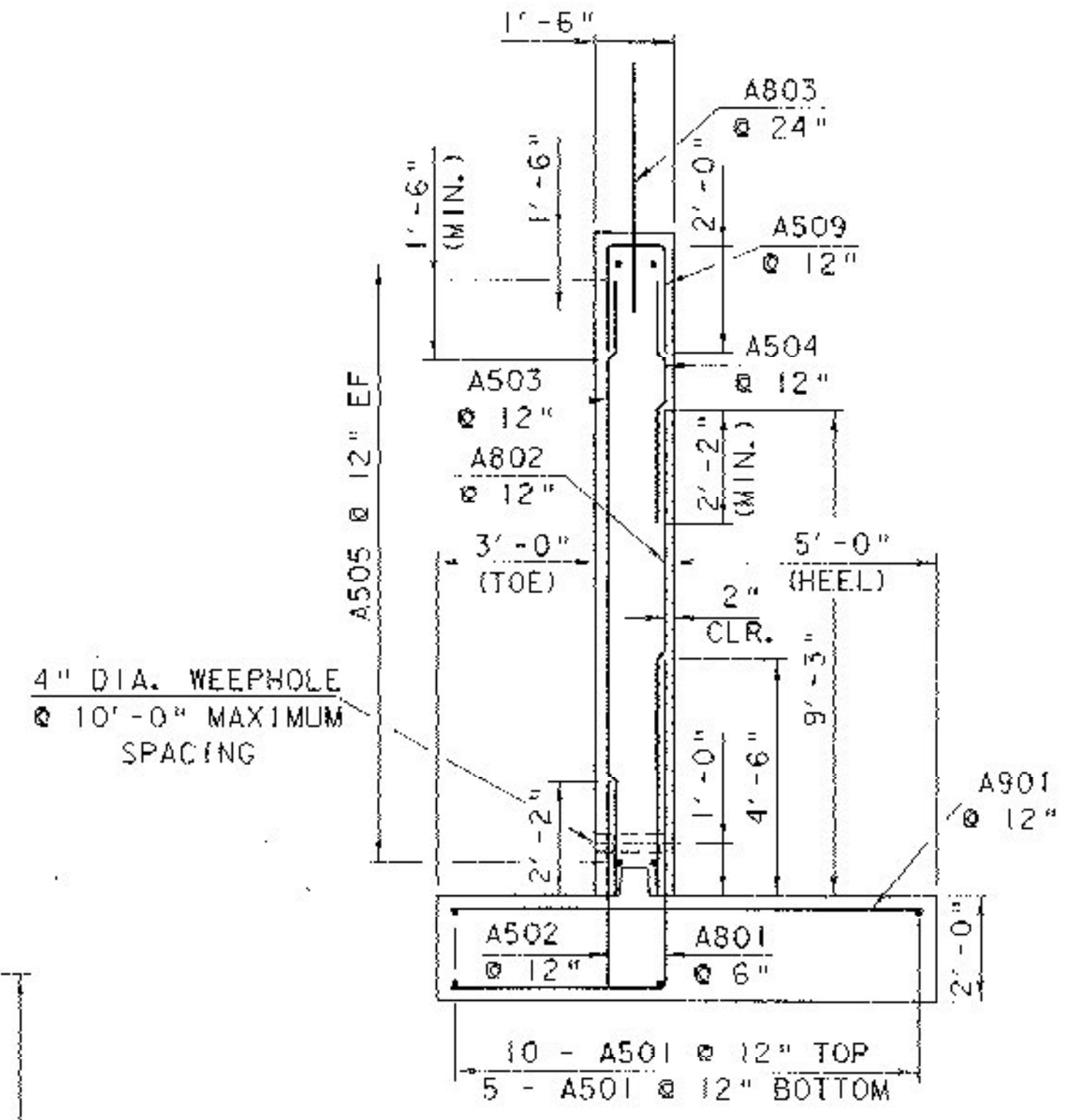
ABUTMENT NO. 1 PLAN

SCALE: 3/8" = 1'-0"



ABUTMENT NO. 1 ELEVATION

SCALE: 3/8" = 1'-0"



ABUTMENT TYPICAL

SCALE: 3/8" = 1'-0"

NOTE:

NF = NEAR FACE
 FF = FAR FACE
 EF = EACH FACE
 ▲ = CUT TO FIT IN FIELD
 3" CLR. UNLESS OTHERWISE SPECIFIED ON THE PLANS.

STATE OF VERMONT AGENCY OF TRANSPORTATION	
Town Of HALIFAX	Bridge No. 28
Highway No. T.H. 3	Log Sta.
T.H. 3 OVER THE BRANCH BROOK	
ABUTMENT NO. 1 DETAILS	
Designed By T. SUMNER	Drawn By K. CHISHOLM
Checked By T. ASUMNER	Date 8/00
Project Manager R. R. WHITCOMB Date 8/00	
PROJECT HALIFAX	PROJECT NO. BRZ 1442 (18)
I.G.C. Info. /str3/89/092/sj092ab.dgn s]092ab.l	
Bridge Sheet No. 	Sheet 20 of 33