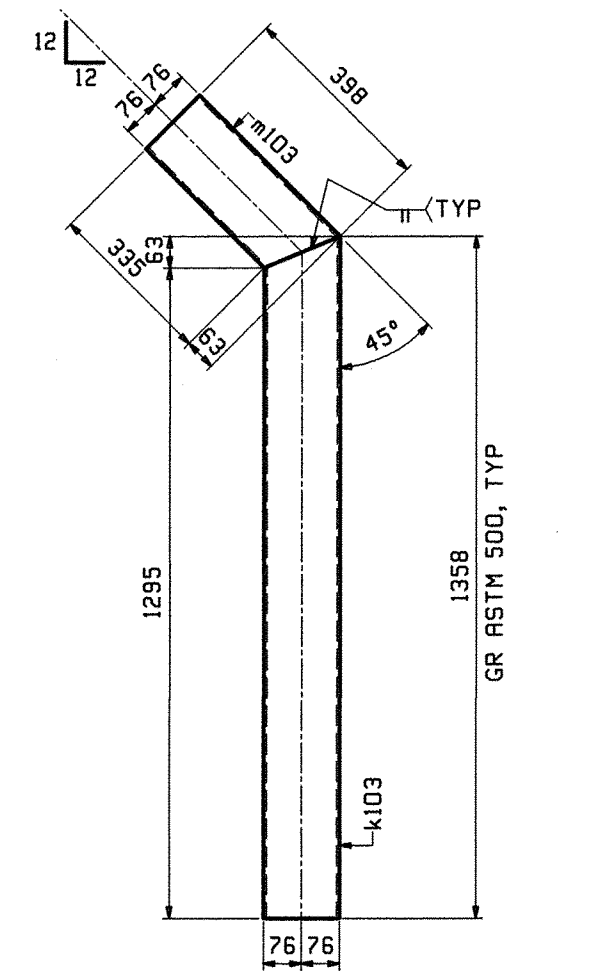
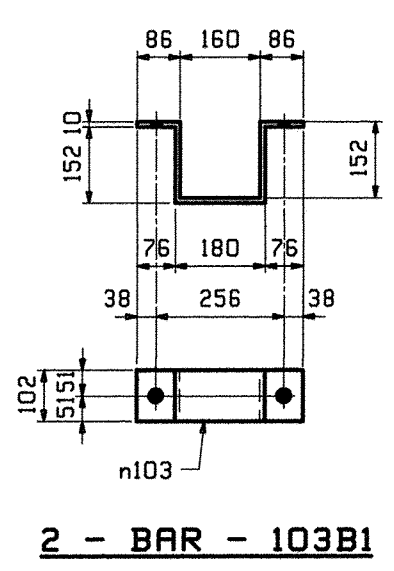


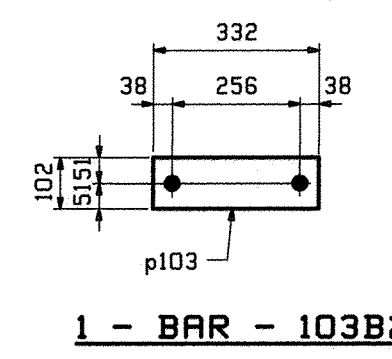
1 - DOWNSPOUT HOPPER - 103H1



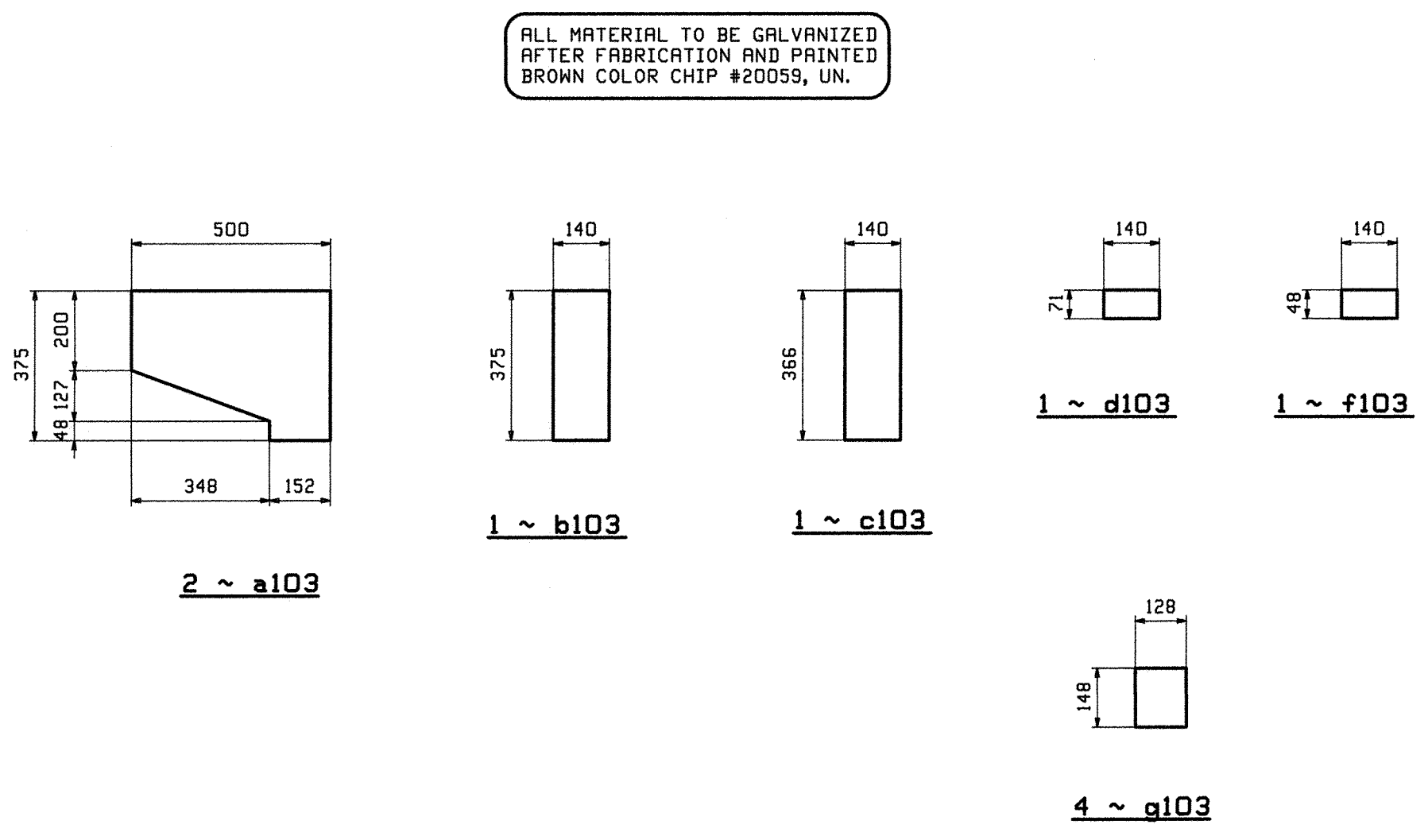
1 - DOWNSPOUT - 103D1



2 - BAR - 103B1



1 - BAR - 103B2



ALL MATERIAL TO BE GALVANIZED AFTER FABRICATION AND PRINTED BROWN COLOR CHIP #20059, UN.

2 - ANCHOR BOLTS - 103AB1  
"GALVANIZED"

2 - ANCHOR BOLTS - 103AB2  
"GALVANIZED"

JOB NO.		DRAWING NO.		REV.	
519		103			
ITEM	QTY	DESCRIPTION	REMARKS	MT	PROCUREMENT NOTES
103H1	1	DOWNSPOUT HOPPER		27 kg	
7 B	2	a103 PL 6x275		12 kg	
7 C	1	b103 PL 6x140		5 kg	
7 D	1	c103 PL 6x140		5 kg	
7 E	1	d103 PL 6x71		47 kg	
7 F	1	f103 PL 6x48		32 kg	
7 G	4	g103 PL 6x128		89 kg	
103D1	1	DOWNSPOUT		50 kg	
7 H	1	k103 HSS 152x152x6		28 kg	
7 J	1	m103 HSS 152x152x6		11 kg	
103B1	2	BAR		2 kg	
7 K	2	n103 PL 10x102		2 kg	
103B2	1	BAR		2 kg	
7 L	1	p103 PL 10x102		3 kg	
ANCHOR BOLTS					
7 M	2	103AB1 230 18	GR LV, R, BOLT	51 kg	
7 N	2	103AB2 230 18	GR LV, R, BOLT	47 kg	
7 P	6	198 198	GR LV, GR UH	11 kg	
7 Q	6	198 198	GR LV, F 438	11 kg	

REV. DATE	REMARKS	DWN	CHK	APVL	SHOP
4/2/13	REVISED PER APPROVAL COMMENTS	BP	TJB		
MATERIAL: M270M-250(UN)		SURFACE PREP. & PAINT: GALV & PRINTED		HOLES: 22Ø	
DESCRIPTION: DOWNSPOUT					
CASCO BAY STEEL STRUCTURES, INC. 1 WALLACE AVE. PHONE (207) 780-6722 SOUTH PORTLAND, ME 04106 FAX: (207) 780-6726					
STRUCTURE: READSBORO VT. ROUTE TH-2 OVER WEST BRANCH OF DEERFIELD RIVER	DRAWN: TJB	DATE: 03/12			
	CHKD: HBC	DATE: 03/13			
LOCATION: READSBORO, VERMONT	JOB NO. 519	DWG NO. 103			
PROJ NO. BRF 0105(3)		REV. 1			
CUSTOMER: RENAUD BROS.					