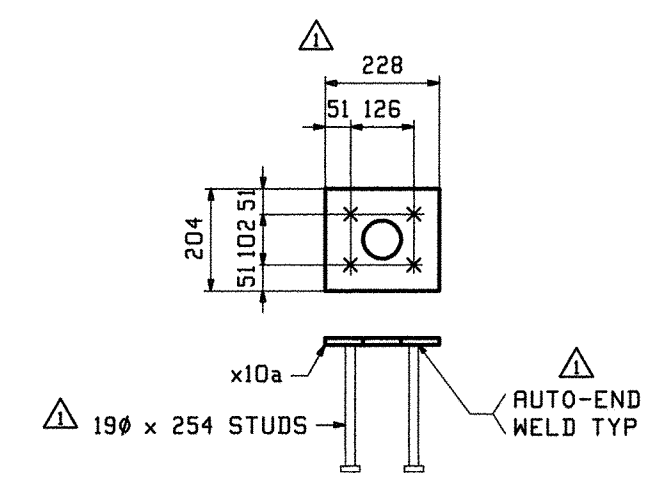
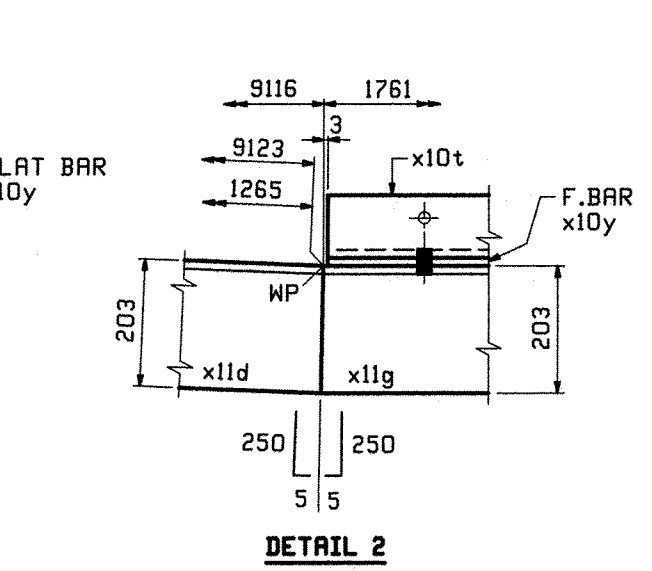
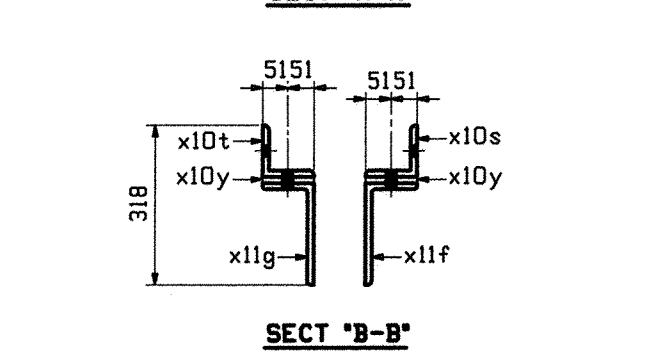
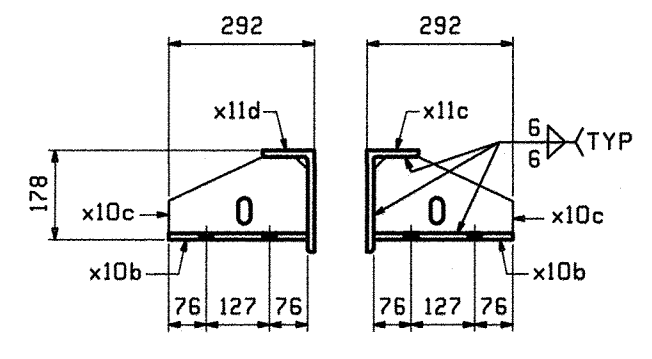
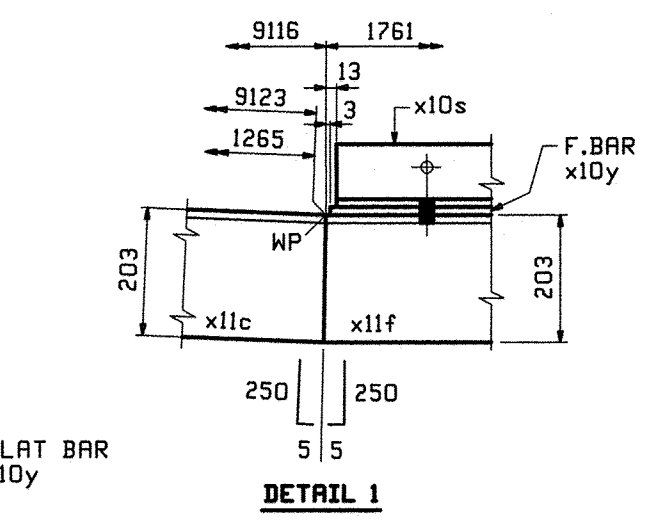


1 ~ LOWER JOINT SUB-ASSEMBLY ~ 102SA1



5 ~ ANCHOR SUB-ASSEMBLIES ~ 102SA2

| PAGE | LINE | QTY | MATERIAL | LENGTH | REMARKS | JOB NO. | | DRAWING NO. | REV. |
|------|--------|-----|--------------------------|--------|--------------|---------|-----|-------------|------|
| | | | | | | 519 | 102 | | |
| | 102SA1 | 1 | LOWER JOINT SUB-ASSEMBLY | | | | | | |
| 4 | C | 10 | x10b PL 13x204 | 0 279 | | | | | |
| 4 | D | 10 | x10c PL 13x152 | 0 279 | | | | | |
| 4 | H | 80 | x10k PL 13x76 | 0 076 | | | | | |
| 4 | M | 1 | x10a L 102x102x13 | 1 749 | | | | | |
| 4 | N | 1 | x10t L 102x102x13 | 1 758 | | | | | |
| 4 | S | 2 | x10y PL 13x102 | 1 758 | | | | | |
| 5 | D | 1 | x11c L 203x102x13 | 9 127 | | | | | |
| 5 | E | 1 | x11d L 203x102x13 | 9 127 | | | | | |
| 5 | F | 1 | x11f L 203x102x13 | 1 765 | | | | | |
| 5 | G | 1 | x11g L 203x102x13 | 1 765 | | | | | |
| 6 | J | 40 | SBI ROD # | 4 3 | THREADED ROD | | | | |
| 6 | K | 80 | WASHER | 1 # | WASHER | | | | |
| | 102SA2 | 5 | ANCHOR PL SUB-ASSEMBLY | | | | | | |
| 4 | B | 5 | x10a PL 13x204 | 0 228 | | | | | |
| 6 | N | 20 | STUD # | 0 254 | 3/4 DIA x 10 | | | | |

| | | | | | | |
|--|------------------------------|------------------------|----------------------|-------------|------|-------------|
| 4/2/13 | REVISED DIMS, BOM & TITLEBOX | BP | TJB | | | |
| REV. | DATE | REMARKS | DWN | CHK | APVL | SHOP |
| MATERIAL: | | SURFACE PREP. & PAINT: | | HOLES: | | SHOP BOLTS: |
| M27DM-345 | | GALVANIZED | | NONE | | NONE |
| DESCRIPTION: EXPANSION LOWER JOINT SUB-ASSEMBLY | | | | | | |
| CASCO BAY STEEL STRUCTURES, INC. | | | | | | |
| 1 WALLACE AVE. | | | PHONE (207) 780-6722 | | | |
| SOUTH PORTLAND, ME 04106 | | | FAX. (207) 780-6726 | | | |
| STRUCTURE: READSBORO | | DRAWN: BP | | DATE: 02/26 | | |
| VT. ROUTE TH-2 OVER WEST BRANCH OF DEERFIELD RIVER | | CHKD: TJB | | DATE: 03/10 | | |
| LOCATION: READSBORO, VERMONT | | JOB NO. 519 | | DWG NO. 102 | | |
| PROJ NO. BRF 0105(3) | | | | REV. 1 | | |
| CUSTOMER: RENAUD BROS. | | | | | | |