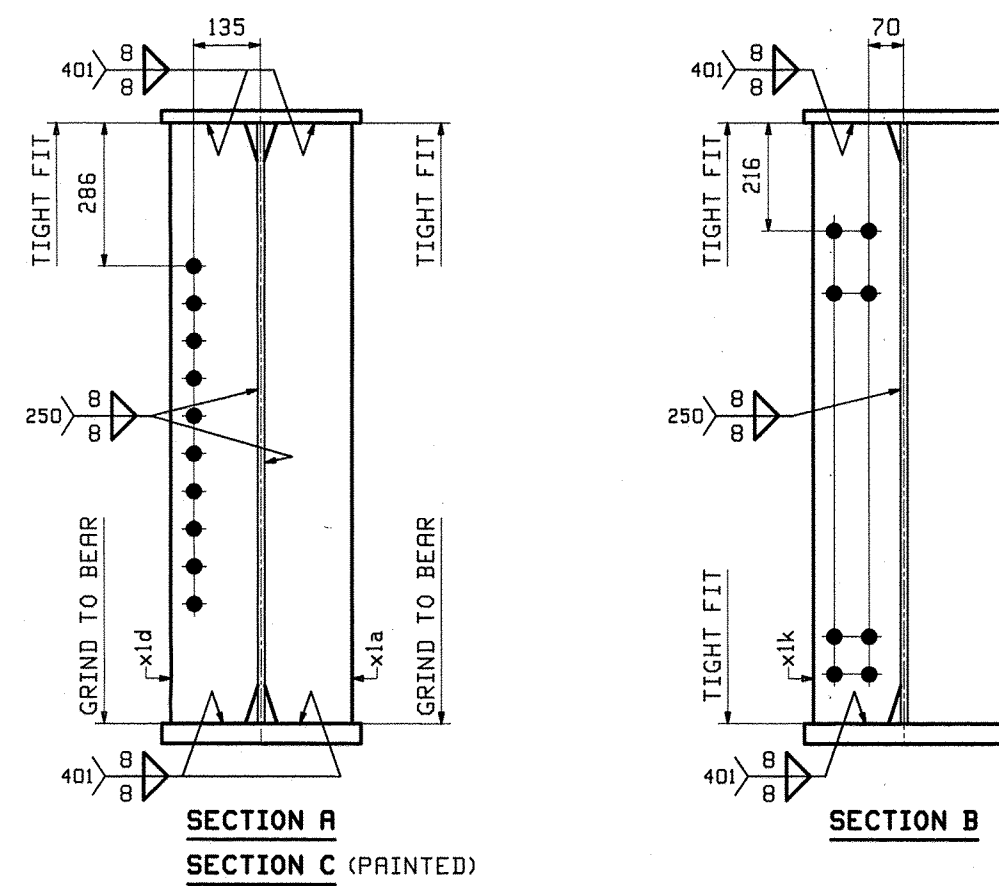
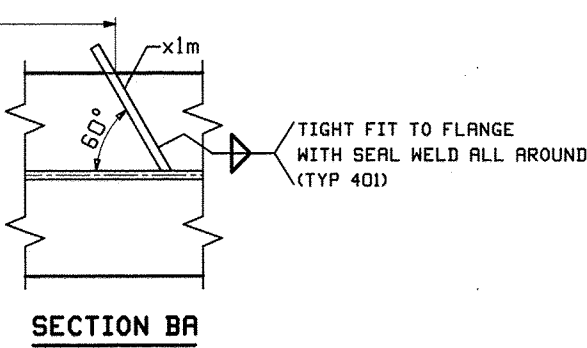


ONE - GIRDER - IG1

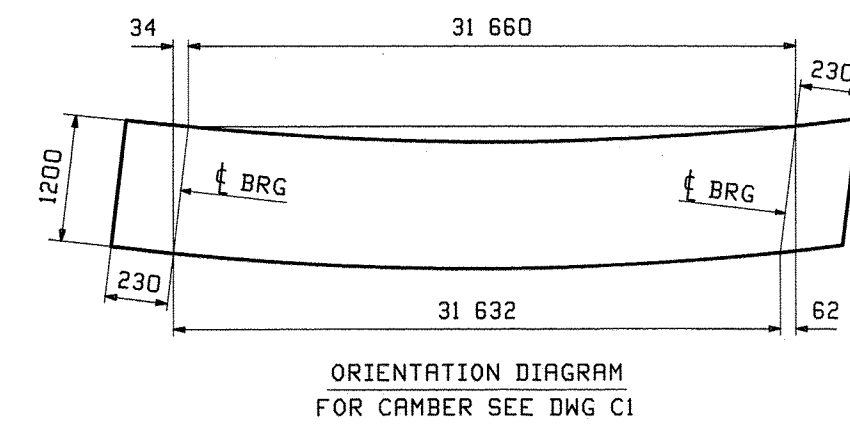
FOR GIRDER STANDARD DETAILS SEE DRAWING X1.
 FOR CAMBER & FLANGE DIAGRAMS SEE DRAWING C1.
 FOR GENERAL NOTES SEE DRAWING GNI.
 T2 DENOTES MATERIAL SUBJECT TO CHAPPY V-NOTCH TESTING.

NOTE "B"
 NO PRINT AREA ALONG BOTTOM FLANGE.
 (FIELD WELDED SOLE PLATE) (SEE SECTION P ON GNI).



JOB NO.		DRAWING NO.		REV.
S19		I		
REV.	DATE	BY	CHK	SHOP
0				
1	06/22	JTB		
2	07/10	WJL		

ITEM	MARK	QTY	MATERIAL	LENGTH	REMARKS	WT	PROCUREMENT NOTES
1	IG1	1	GIRDER			1019.40	
1	G	1	wa	12 203	M270M-345H(T2)	809.4	
1	E	1	wb	19 954	M270M-345H(T2)	3448.76	
1	J	1	ta	19 888	PL 25x400	561.44	
1	L	1	tb	12 232	PL 25x400	217.28	
1	A	1	ba	19 888	M270M-345H(T2)	1498.4	
1	C	1	bb	12 204	M270M-345H(T2)	533.76	
2	B	2	x1a	1 200	PL 16x175	59.4	
2	B	2	x1d	1 200	PL 16x175	59.4	
2	C	5	x1k	1 200	PL 14x175	115.4	
2	D	1	x1m	0 275	PL 6x94	1.4	



REV.	DATE	REMARKS	DWN	CHK	APVL	SHOP
0						
1	06/22					
2	07/10					

MATERIAL:	M270M-345H(LUN)	SURFACE PREP. & PAINT:	SEE DWG GNI	HOLE:	15, 16	SHOP BOLTS:	NONE
DESCRIPTION:	GIRDER - IG1						
CASCO BAY STEEL STRUCTURES, INC. 1 WALLACE AVE. SOUTH PORTLAND, ME 04106 PHONE (207) 780-6722 FAX: (207) 780-6726							
STRUCTURE:	READSBORO VT. ROUTE TH-2 OVER WEST BRANCH OF DEERFIELD RIVER	DRAWN:	JTB	DATE:	06/22	CHKD:	WJL 07/10
LOCATION:	READSBORO, VERMONT	JOB NO.	519	DWG NO.	1	REV.	1
PROJ NO.	BRF 0105(3)						
CUSTOMER:	RENAUD BROS.						

JUL 23 2012