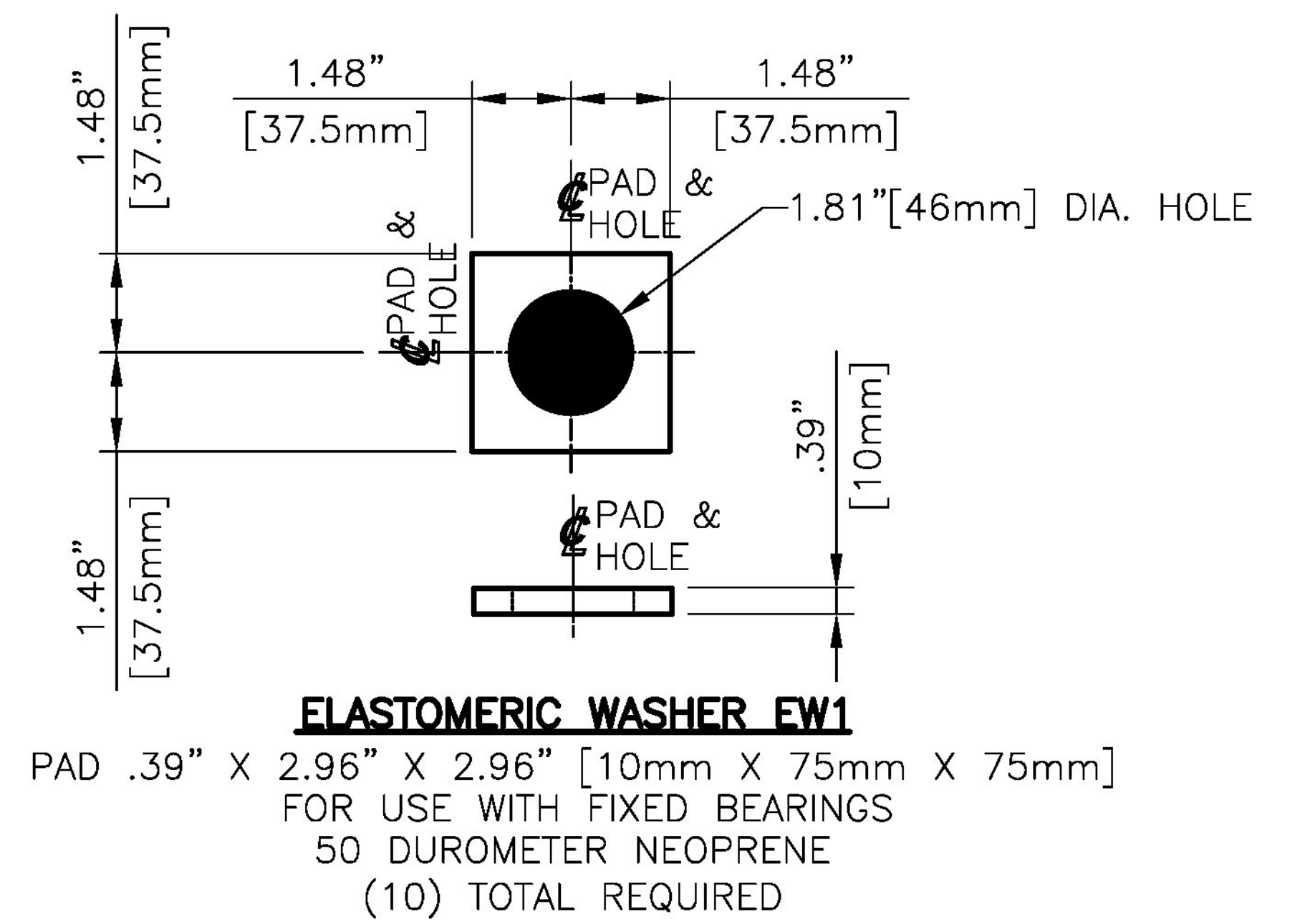
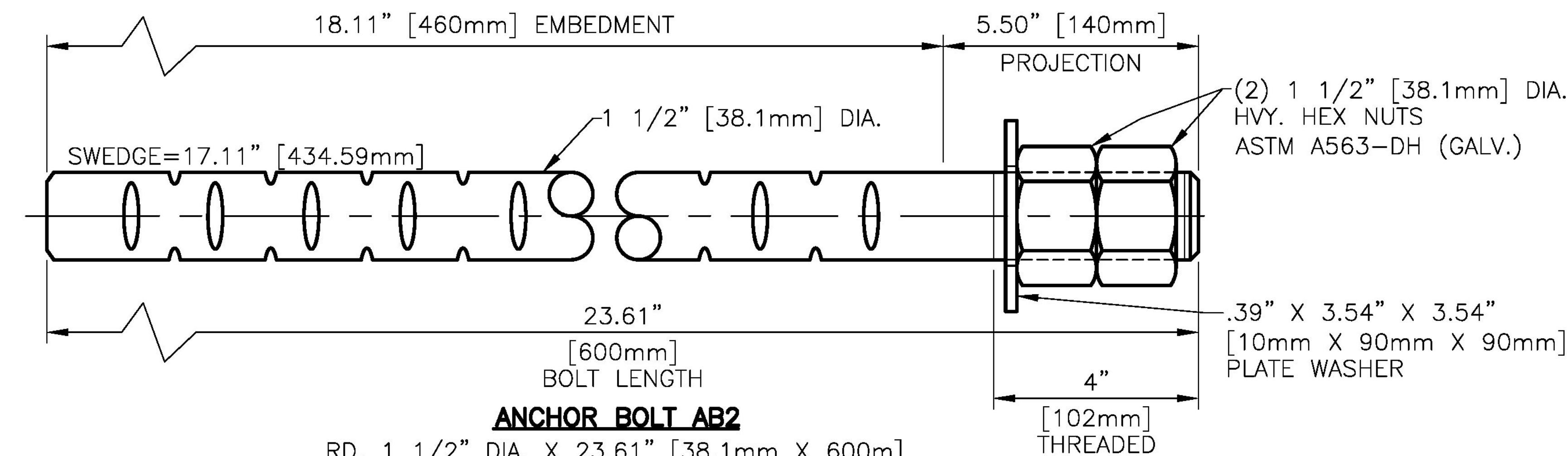


**ANCHOR BOLT AB1**  
 RD. 1 1/2" DIA. X 32.87" [38.1mm X 835mm]  
 FOR USE WITH FIXED BEARINGS  
 ASTM F1554 GR.55 (GALV.)  
 (10) TOTAL REQUIRED

Verify Quantity (20)  
 4/Bearing

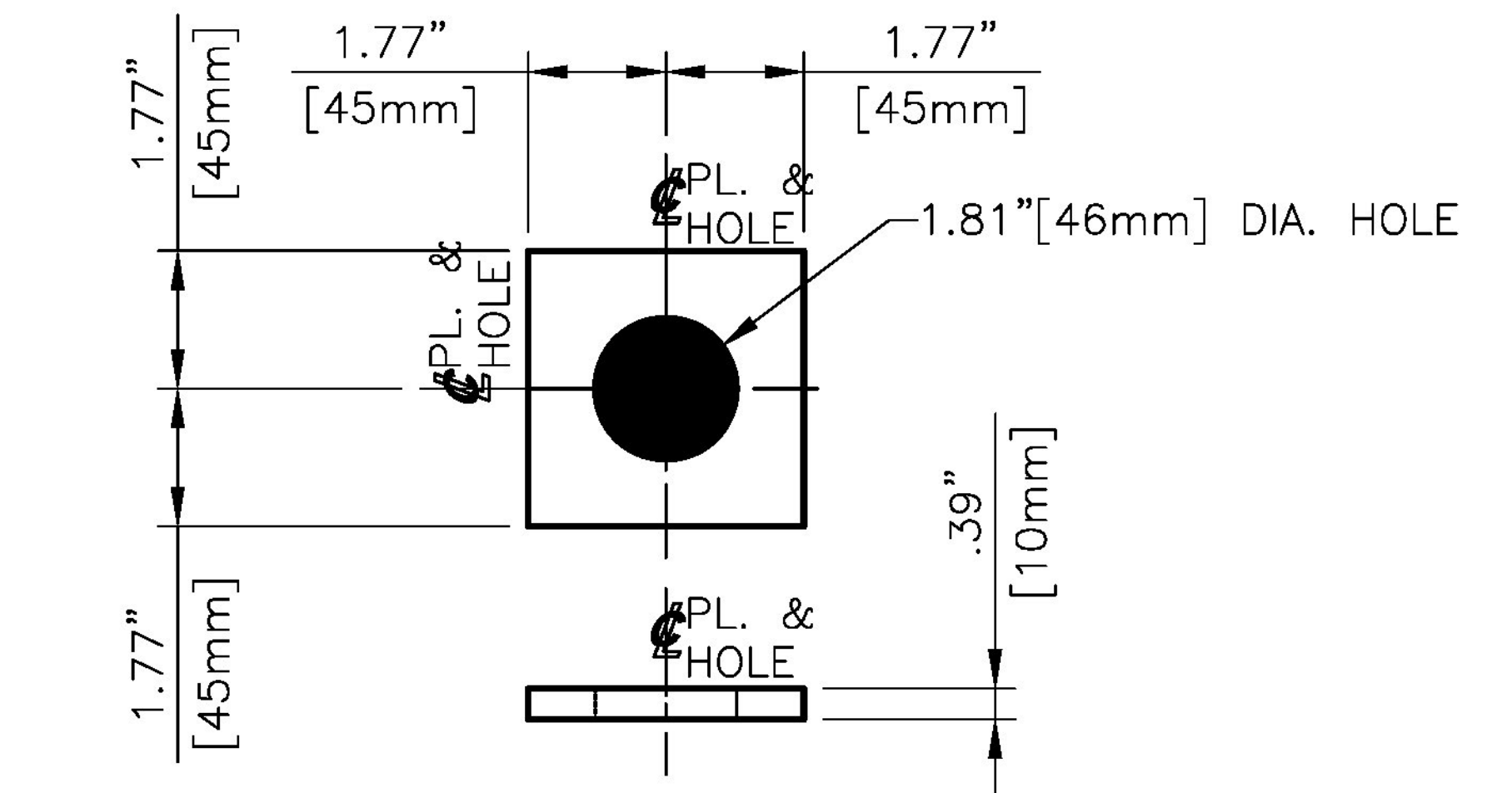


**ELASTOMERIC WASHER EW1**  
 PAD .39" X 2.96" X 2.96" [10mm X 75mm X 75mm]  
 FOR USE WITH FIXED BEARINGS  
 50 DUROMETER NEOPRENE  
 (10) TOTAL REQUIRED



**ANCHOR BOLT AB2**  
 RD. 1 1/2" DIA. X 23.61" [38.1mm X 600m]  
 FOR USE WITH EXPANSION BEARINGS  
 ASTM F1554 GR.55 (GALV.)  
 (10) TOTAL REQUIRED

Verify Quantity (20)  
 4/Bearing



**PLATE WASHER PW1**  
 PL. .39" X 3.54" X 3.54" [10mm X 90mm X 90mm]  
 FOR USE WITH EXPANSION BEARINGS  
 ASTM A36/A 36M OR  
 [AASHTO M270M/M 270, GR.250] (GRADE36)  
 (10) TOTAL REQUIRED

SEE NOTES ON SHEET GN1 OF 1

**STATE OF VERMONT**  
**AGENCY OF TRANSPORTATION**  
**TOWN OF READSBORO**  
**ROUTE NO: TH 2, FAS 105,**  
**(MAJOR COLLECTOR) BRIDGE #32**

STATE	COUNTY	CONTROL NO.
VT.	BENNINGTON	N/A

PROJ. ID NO.: BRF 0105 (3)

**DYNAMIC RUBBER**  
**LAM. ELASTOMERIC BEARING ASS'YS**

**Cosmea** 1501 ROCKY RIDGE ROAD  
 P.O. BOX 2159  
 ATHENS, TEXAS 75751

SCALE: NONE	DRAWN BY: RP	CHECKED BY: SL
	DATE: 8/29/12	DATE: 8/31/12

SHEET 3 OF 4 **JOB NO.: 11621**

CUSTOMER	DRAWING NUMBER	REV.
RENAUD BROTHERS, INC.	11621-D3	0

Vermont Agency of Transportation  
**RECEIVED**  
 CK'D BY M.R.U. OK'D BY J.A.G.  
 Sept. 5, 2012

RESUBMIT APPROVED AS NOTED ✓  
 BY J. LACROIX DATE 09-20-2012

REV.	DESCRIPTION	BY	DATE	CK'D	DATE