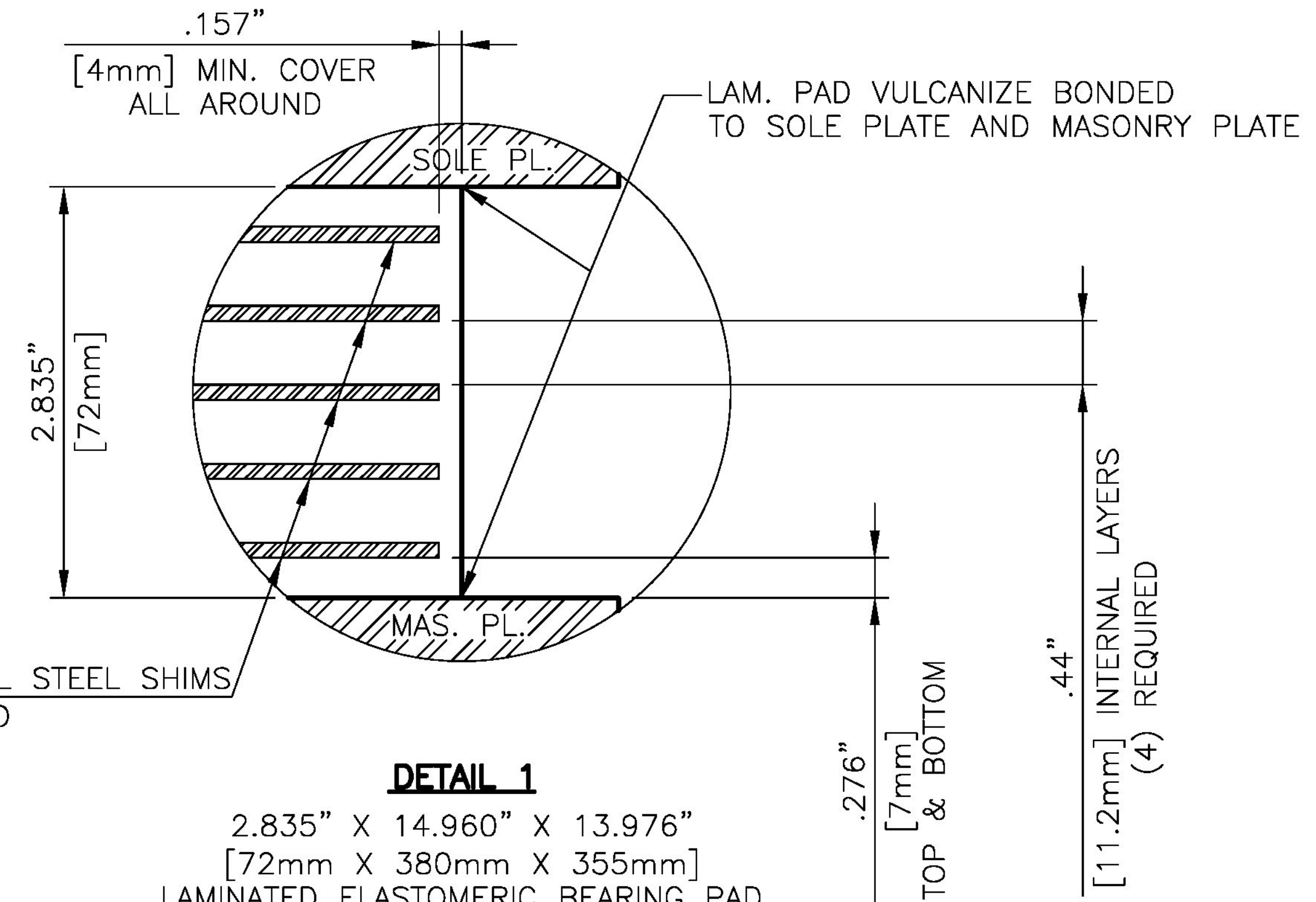


12ga.(.1046") [2.66mm] INTERNAL STEEL SHIMS  
(5) TOTAL REQUIRED



**DETAIL 1**

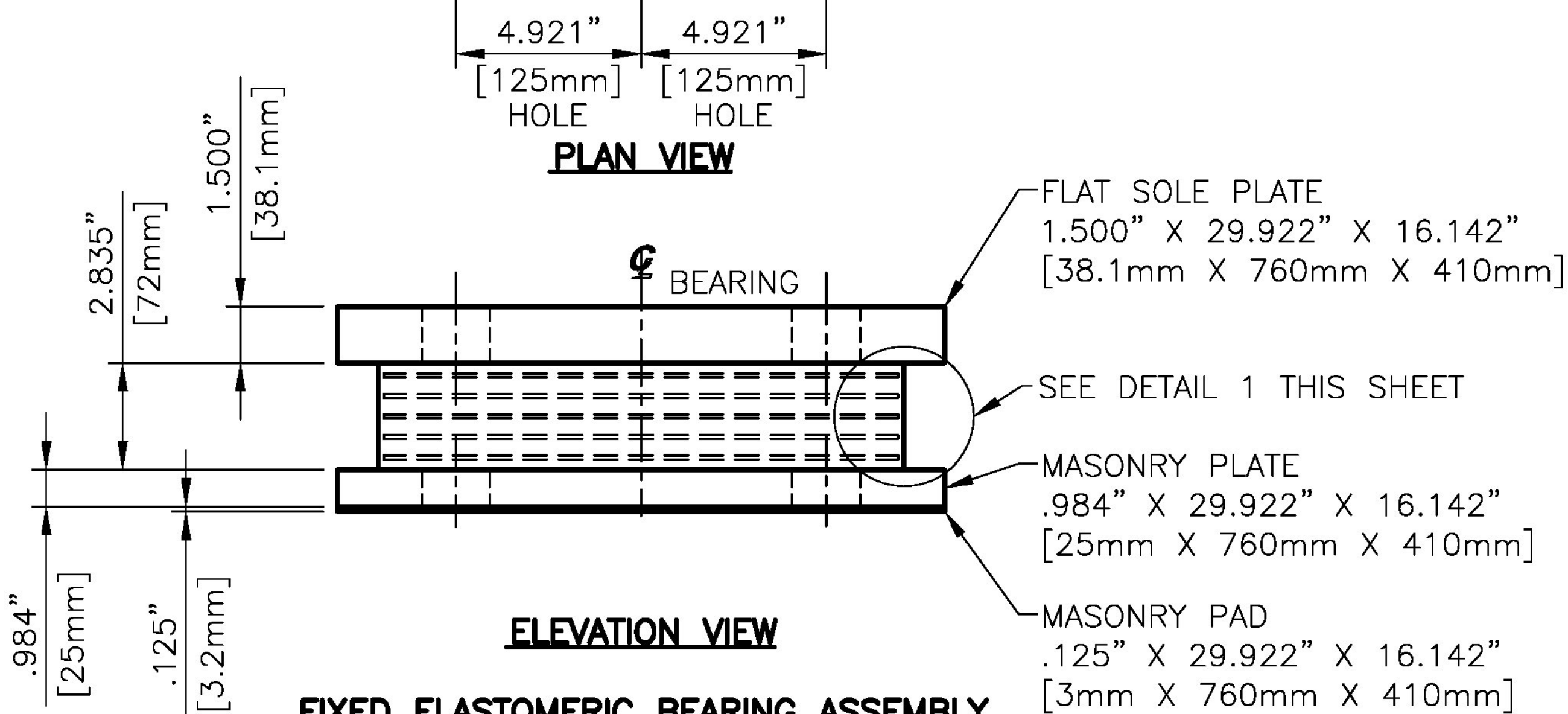
2.835" X 14.960" X 13.976"  
[72mm X 380mm X 355mm]  
LAMINATED ELASTOMERIC BEARING PAD  
50 DUROMETER NATURAL RUBBER  
VULCANIZED TO SOLE PLATE & MASONRY PLATE  
(5) REQUIRED

**DESIGN LOADS (UNFACTORED)**

R.D.L. = 89.5kips [400kN]  
R.L.L. = 79.5kips [354kN]

APPROVER PLEASE VERIFY

ok



**FIXED ELASTOMERIC BEARING ASSEMBLY  
FBA1**

LOCATED @ ABUTMENT 1  
GIRDERS 1-5  
(5) TOTAL REQUIRED

SEE NOTES ON SHEET GN1 OF 1

STATE OF VERMONT  
AGENCY OF TRANSPORTATION  
TOWN OF READSBORO  
ROUTE NO: TH 2, FAS 105,  
(MAJOR COLLECTOR) BRIDGE #32

STATE	COUNTY	CONTROL NO.
VT.	BENNINGTON	N/A

PROJ. ID NO.: BRF 0105 (3)

**DYNAMIC RUBBER  
LAM. ELASTOMERIC BEARING ASS'YS**

**Cosmea** 1501 ROCKY RIDGE ROAD  
P.O. BOX 2159  
ATHENS, TEXAS 75751

Vermont Agency of Transportation  
**RECEIVED**

CK'D BY M.R.U. OK'D BY J.A.G.

Sept. 5, 2012

RESUBMIT APPROVED AS NOTED ✓  
BY J. LACROIX DATE 09-20-2012

SCALE: NONE	DRAWN BY: RP	CHECKED BY: SL
	DATE: 8/29/12	DATE: 8/31/12

SHEET 1 OF 4 **JOB NO.: 11621**

CUSTOMER: RENAUD BROTHERS, INC. DRAWING NUMBER: 11621-D1 REV: 0

REV.	DESCRIPTION	BY	DATE	CK'D	DATE