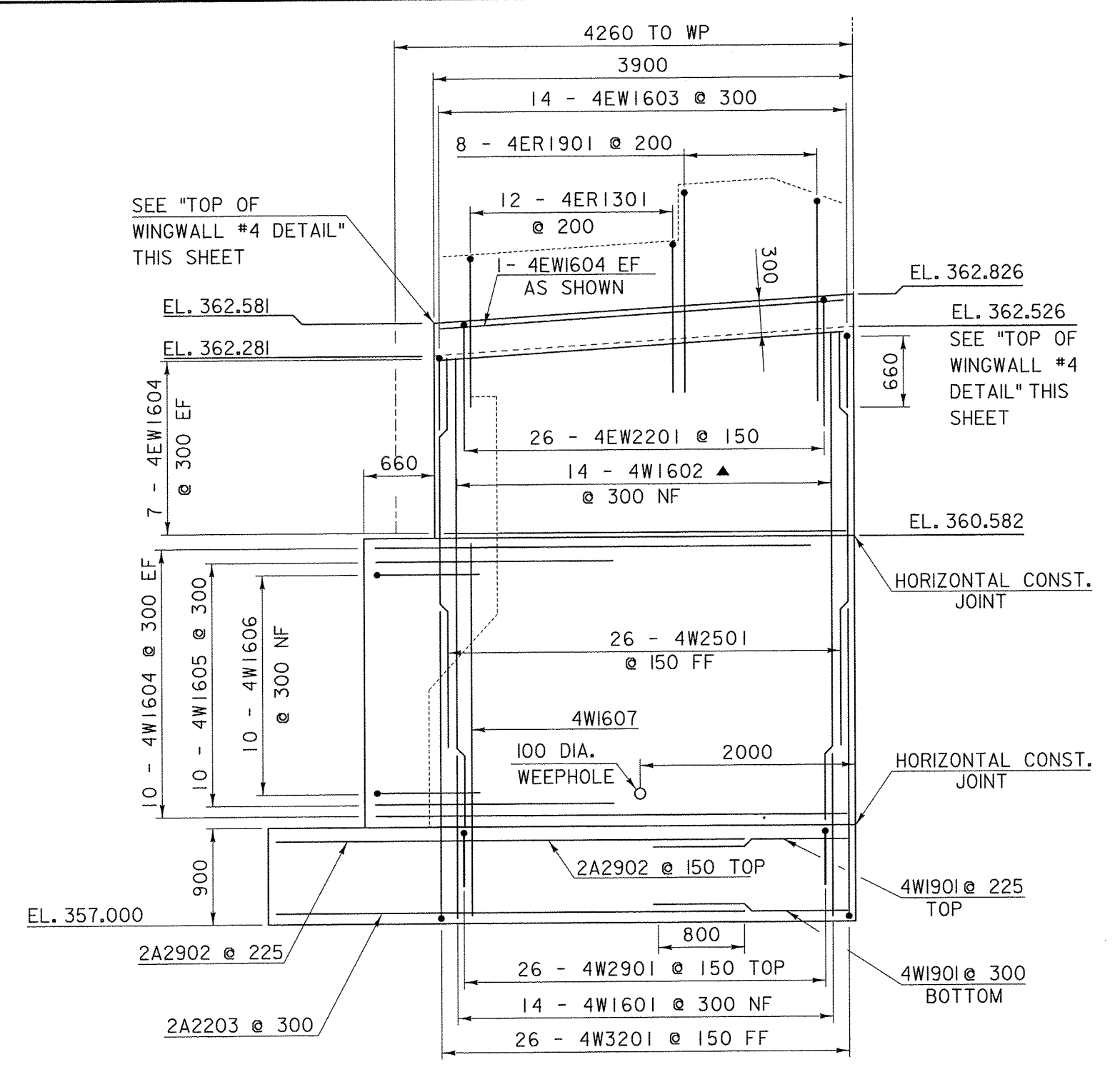
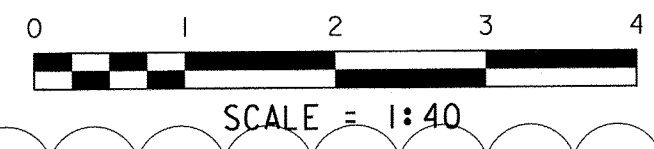
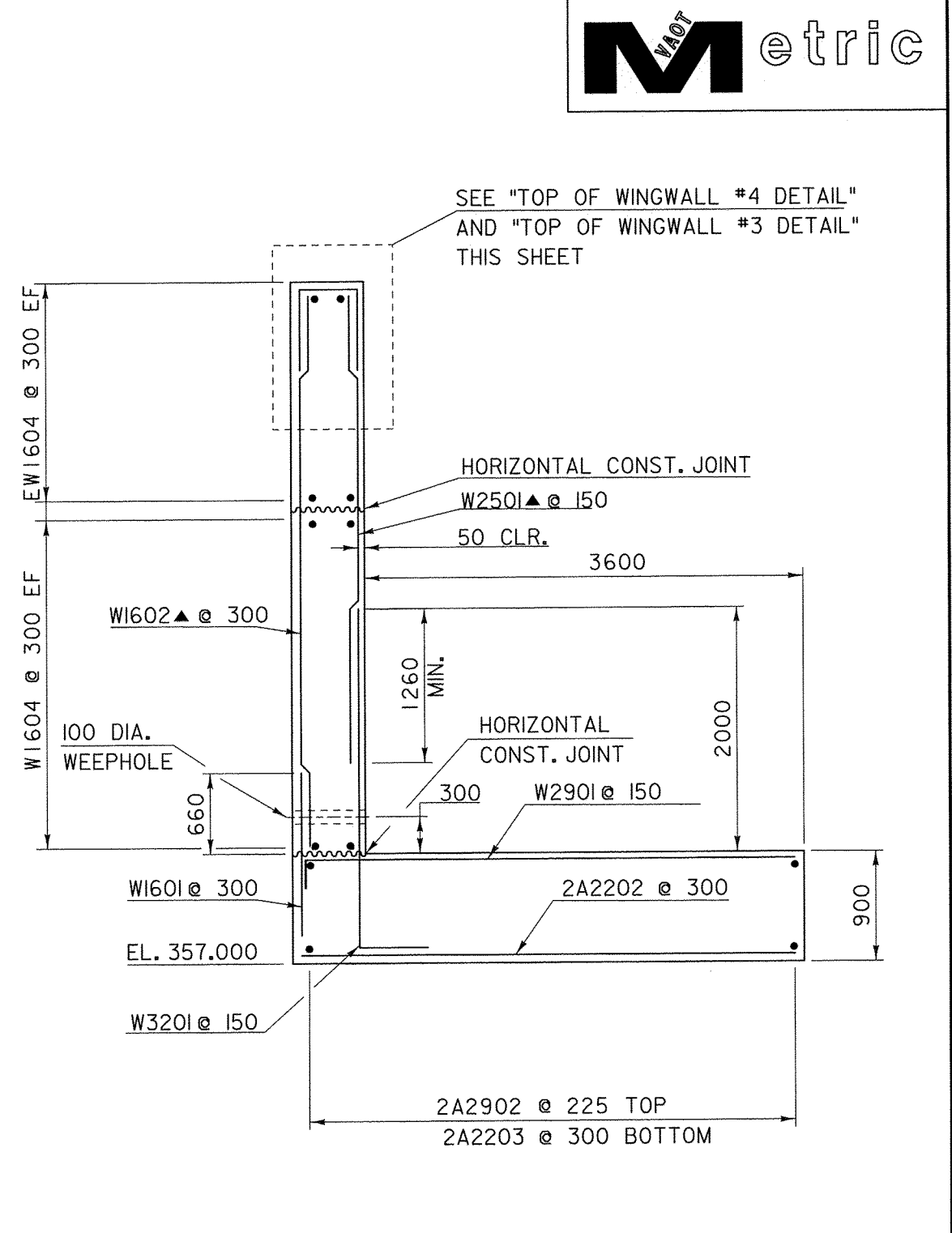
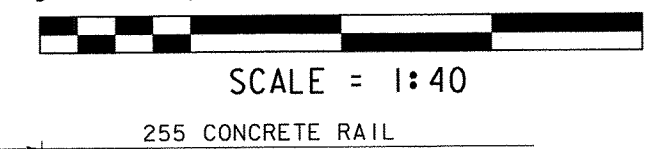


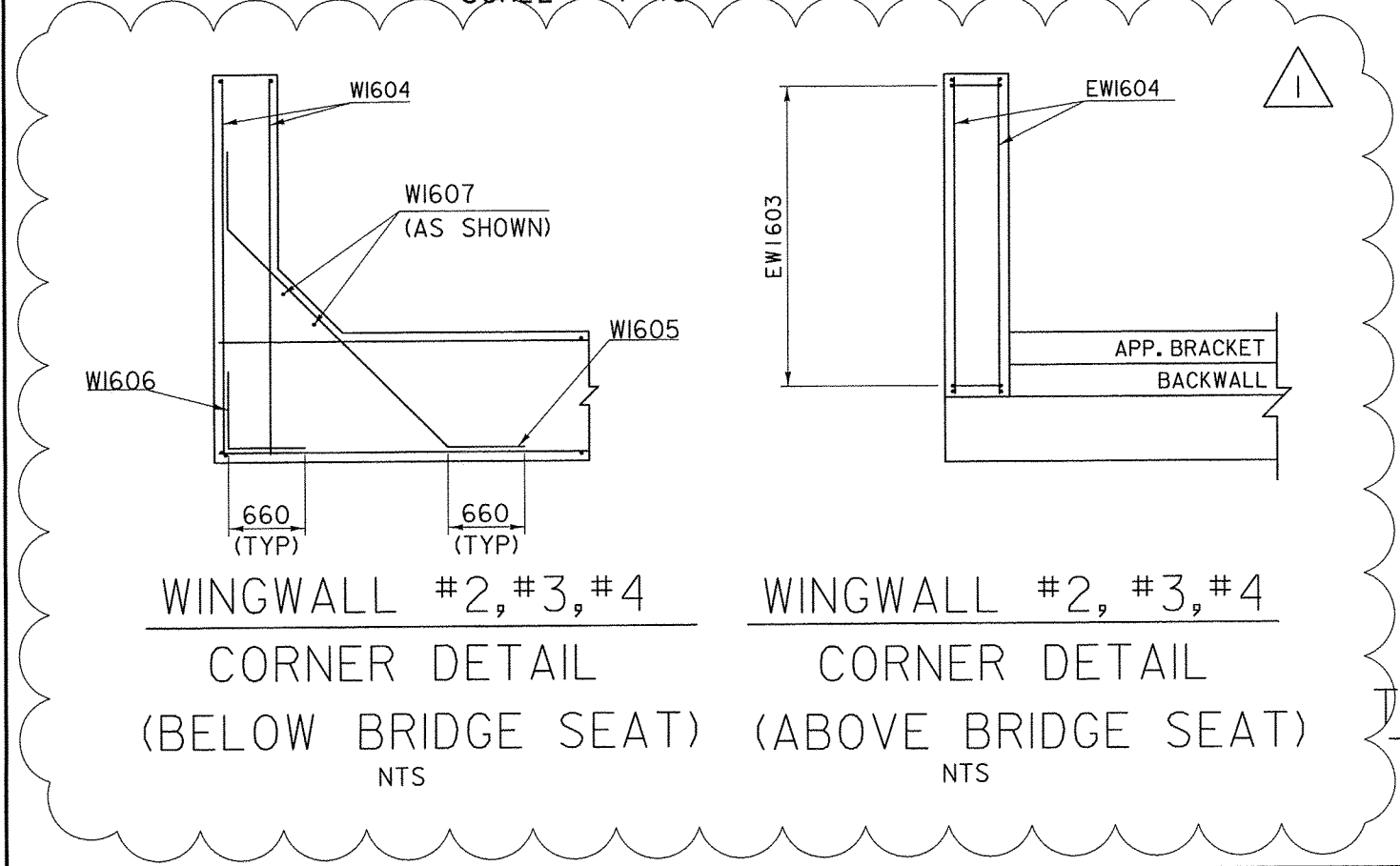
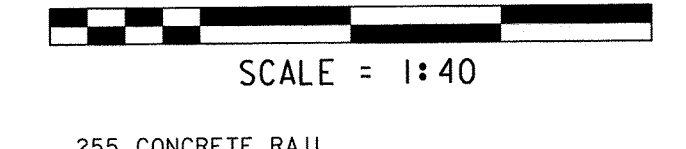
WINGWALL #3 ELEVATION



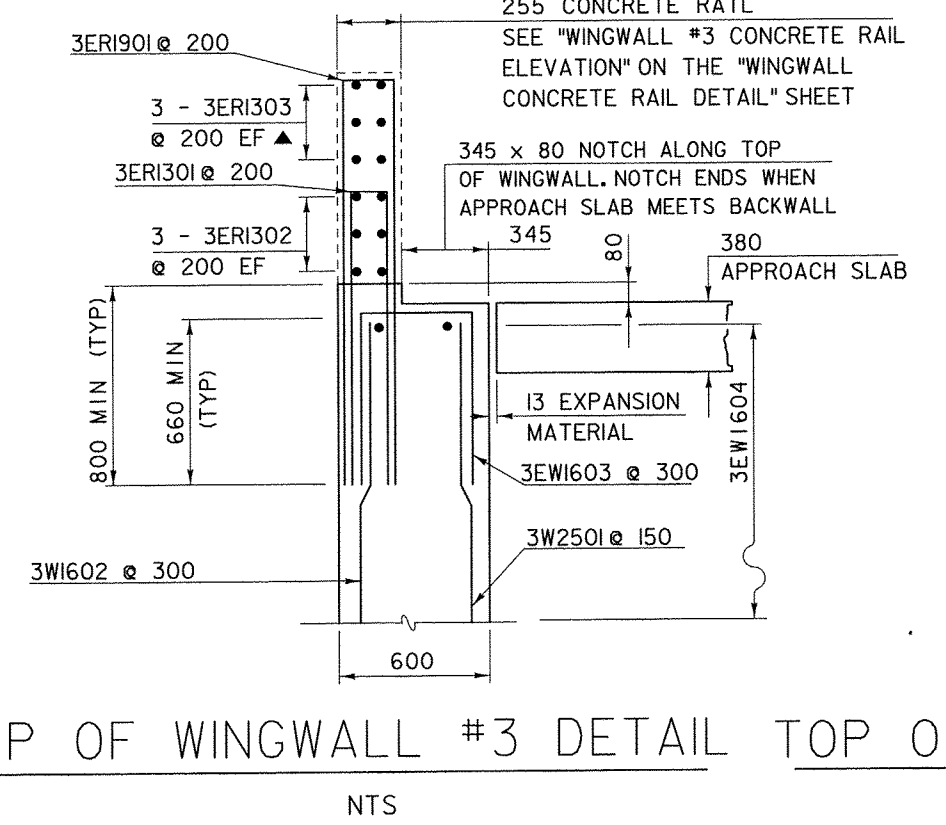
WINGWALL #4 ELEVATION



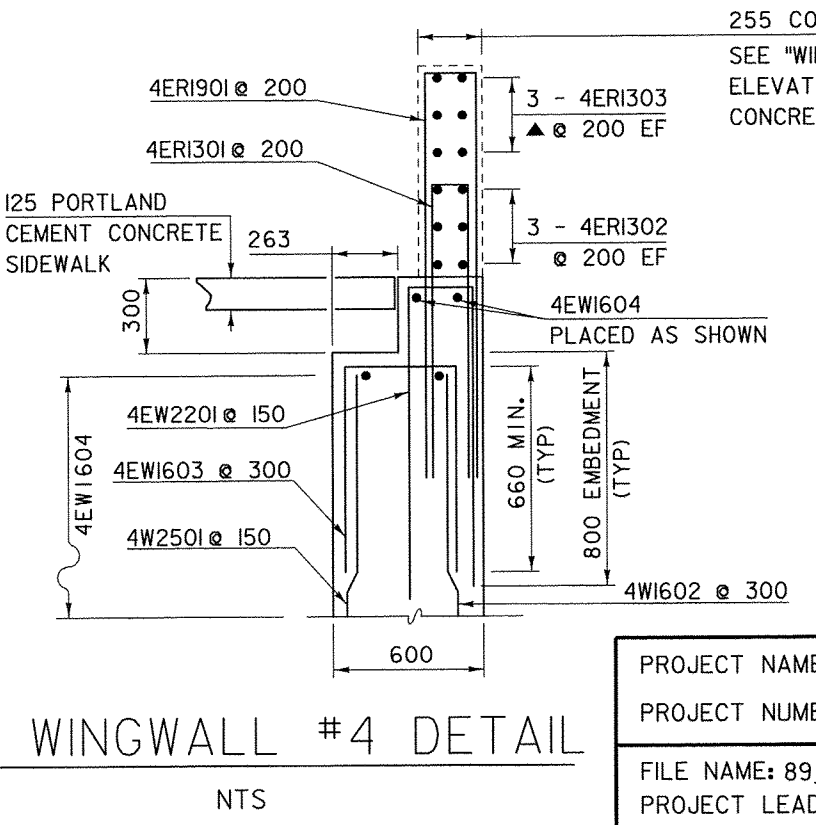
WINGWALL #3 & #4 TYPICAL



WINGWALL #2, #3, #4 CORNER DETAIL (BELOW BRIDGE SEAT) NTS
WINGWALL #2, #3, #4 CORNER DETAIL (ABOVE BRIDGE SEAT) NTS



NTS



NTS

NF = NEAR FACE
 FF = FAR FACE
 EF = EACH FACE
 ▲ = CUT TO FIT IN FIELD

75 CLEAR, UNLESS OTHERWISE SPECIFIED ON THE PLANS
 660 BAR LAP UNLESS OTHERWISE SPECIFIED ON THE PLANS

PROJECT NAME:	READSBORO
PROJECT NUMBER:	BRF 0105 (3)
FILE NAME:	891088/STR/s891088sub.dgn
PROJECT LEADER:	J. LACROIX
DESIGNED BY:	W. PELLETIER
WINGWALL 3 AND 4 DETAILS	
PLOT DATE:	12-APR-2013
DRAWN BY:	G. ROKES
CHECKED BY:	W. PELLETIER
SHEET	4 OF 5