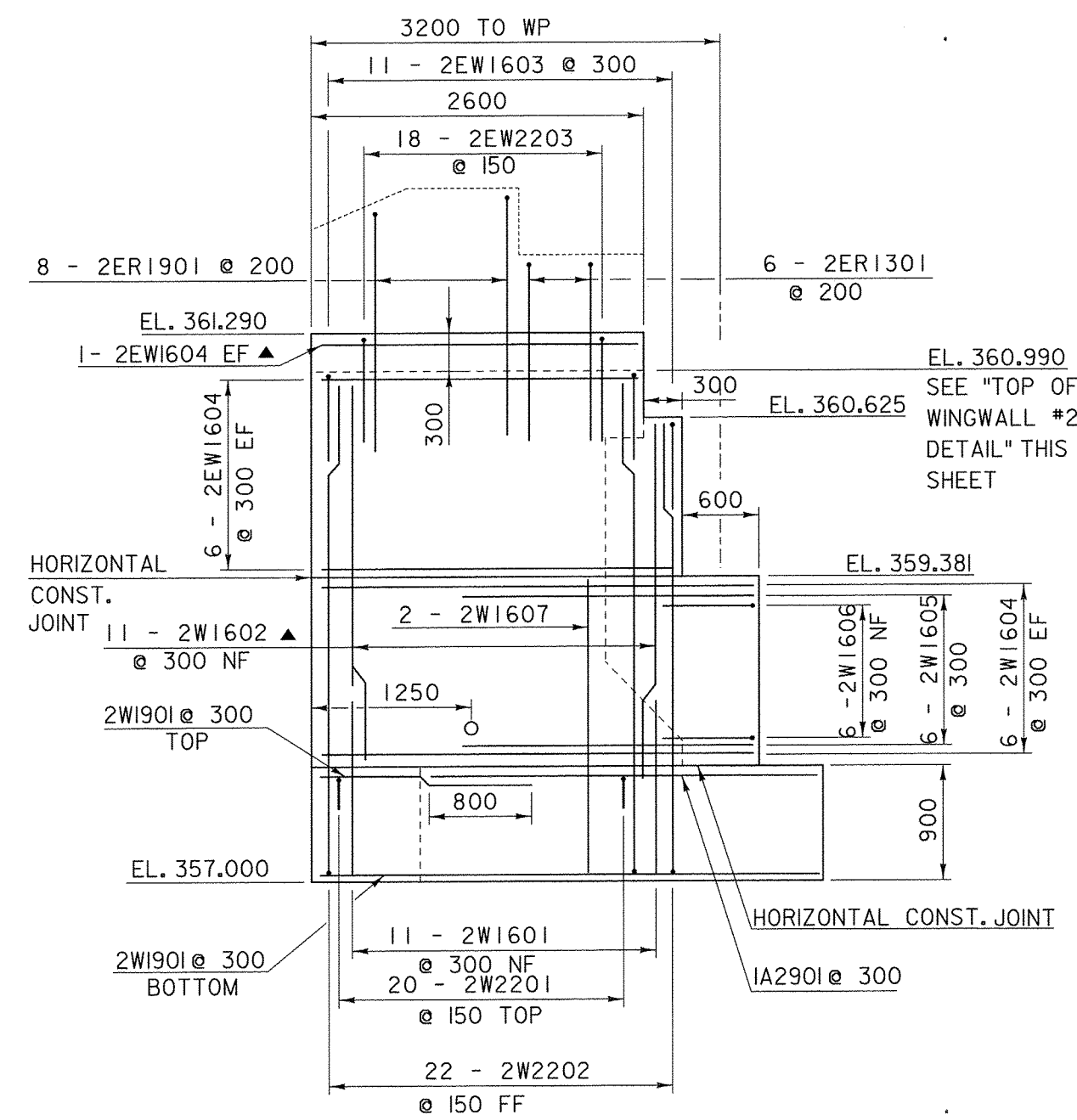
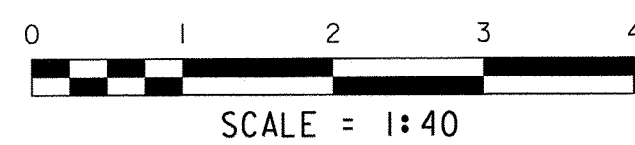
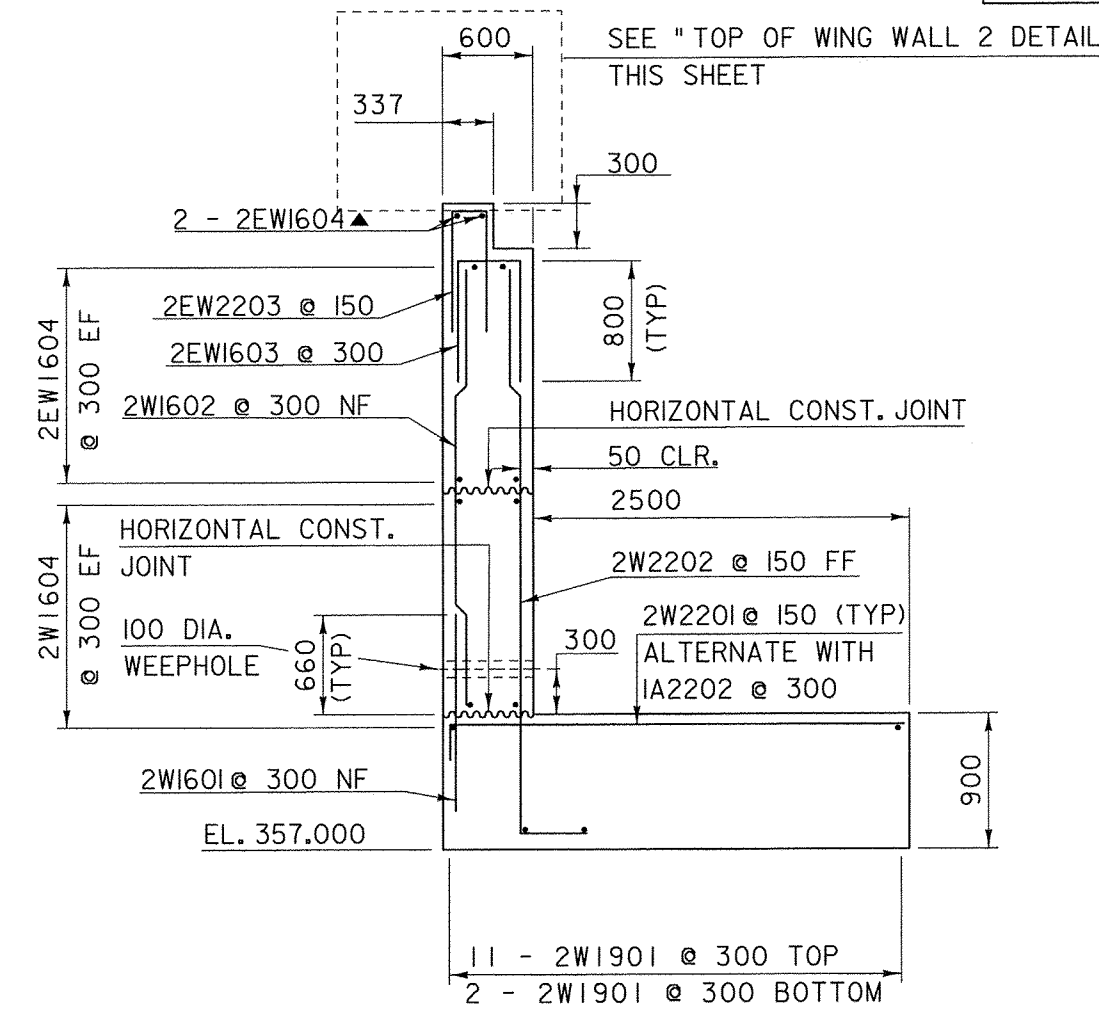
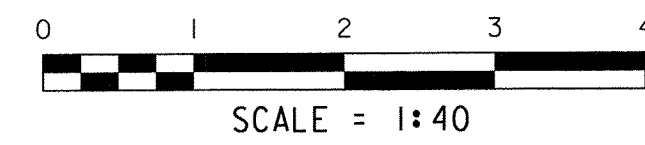


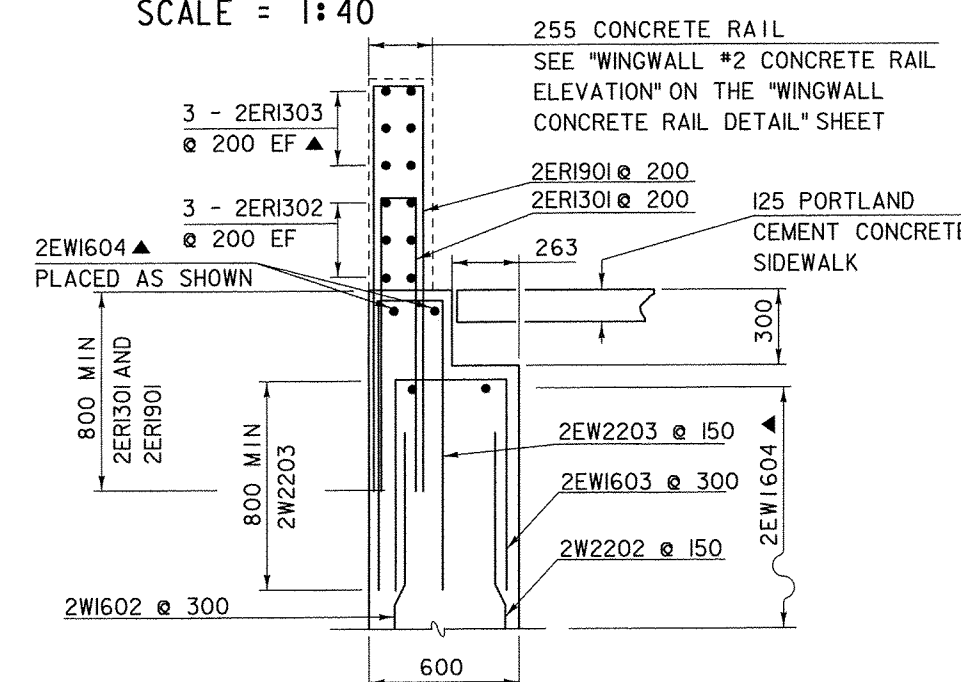
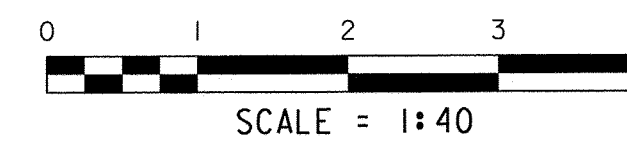
WINGWALL #1 ELEVATION



WINGWALL #2 ELEVATION

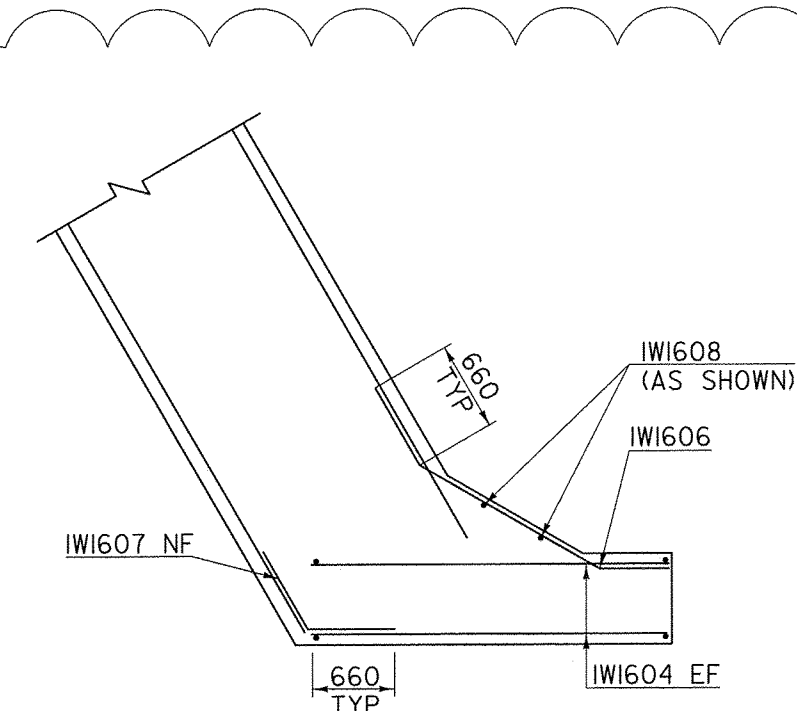


WINGWALL #2 TYPICAL



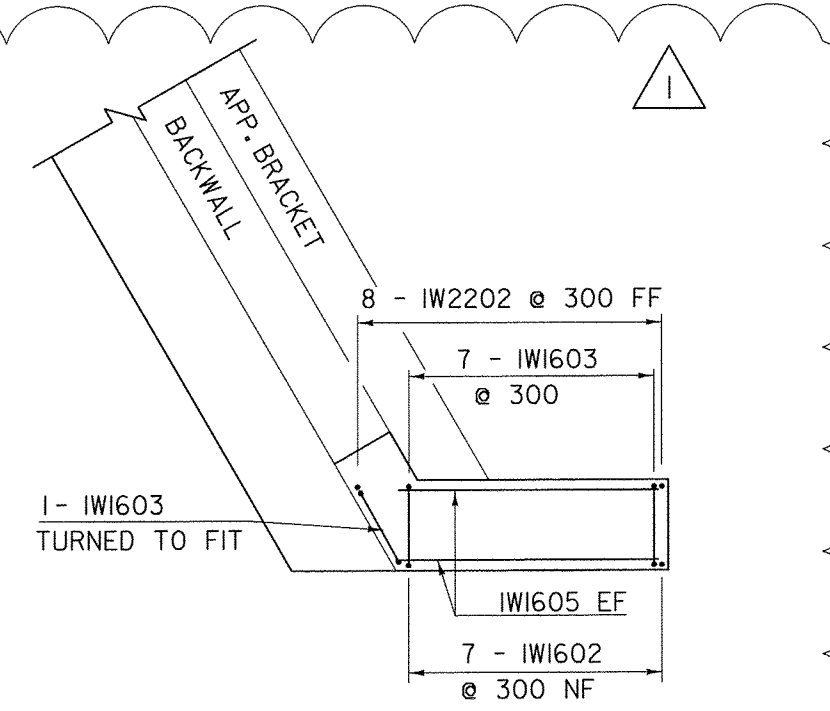
TOP OF WINGWALL #2 DETAIL

NTS  
 NF = NEAR FACE  
 FF = FAR FACE  
 EF = EACH FACE  
 ▲ = CUT TO FIT IN FIELD  
 75 CLEAR, UNLESS OTHERWISE SPECIFIED ON THE PLANS  
 660 BAR LAP UNLESS OTHERWISE SPECIFIED ON THE PLANS



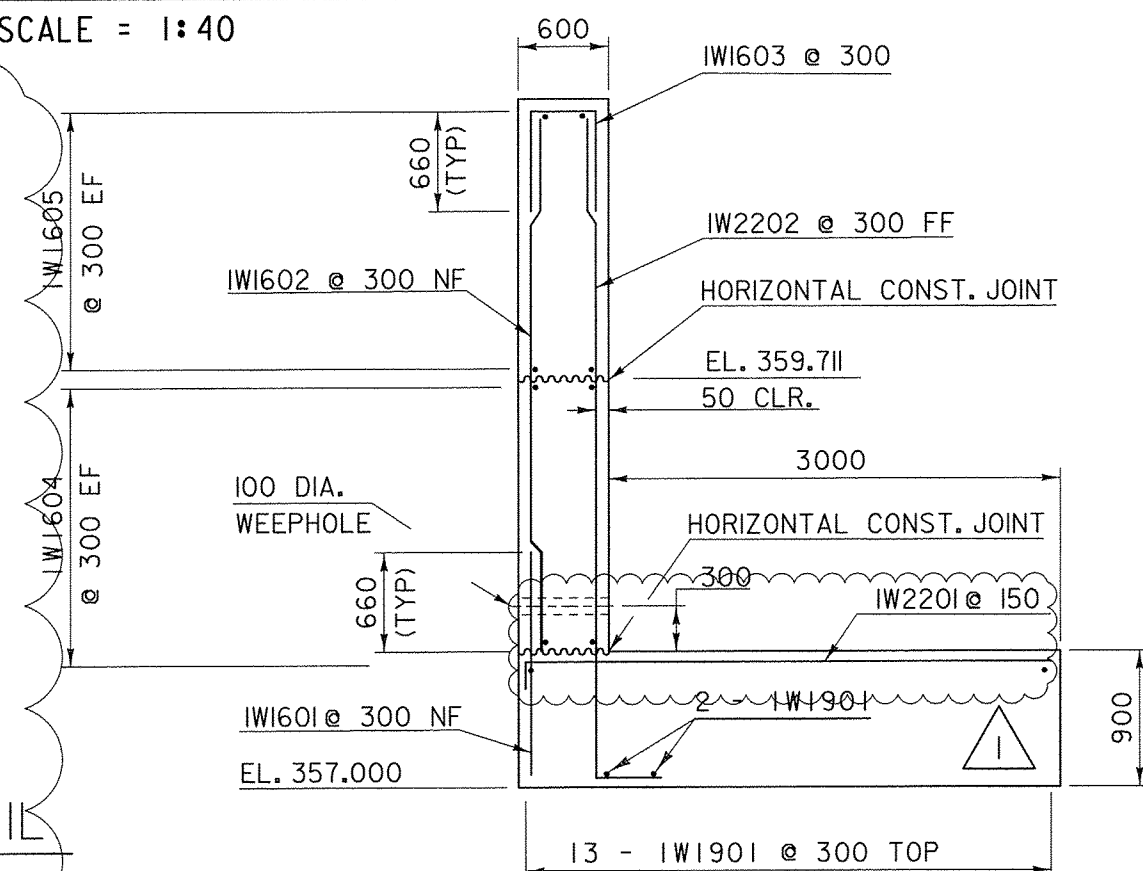
WINGWALL #1 CORNER DETAIL (BELOW BRIDGE SEAT)

NTS

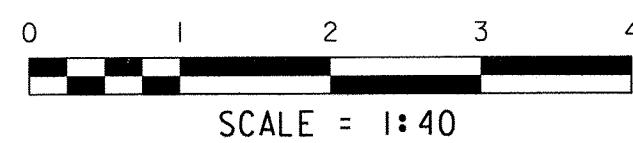


WINGWALL #1 CORNER DETAIL (ABOVE BRIDGE SEAT)

NTS



WINGWALL #1 TYPICAL



PROJECT NAME: READSBORO  
 PROJECT NUMBER: BRF 0105 (3)

FILE NAME: 89J088/STR/89J088sub.dgn  
 PROJECT LEADER: J. LACROIX  
 DESIGNED BY: W. PELLETIER  
 WINGWALL 1 AND 2 DETAILS  
 PLOT DATE: 12-APR-2013  
 DRAWN BY: G. ROKES  
 CHECKED BY: W. PELLETIER  
 SHEET 3 OF 5

REVISION	DATE	DESCRIPTION	BY
1	04-10-2013	CHANGED STEM WIDTH AND FIXED REBAR AS APPROPRIATE	MRU