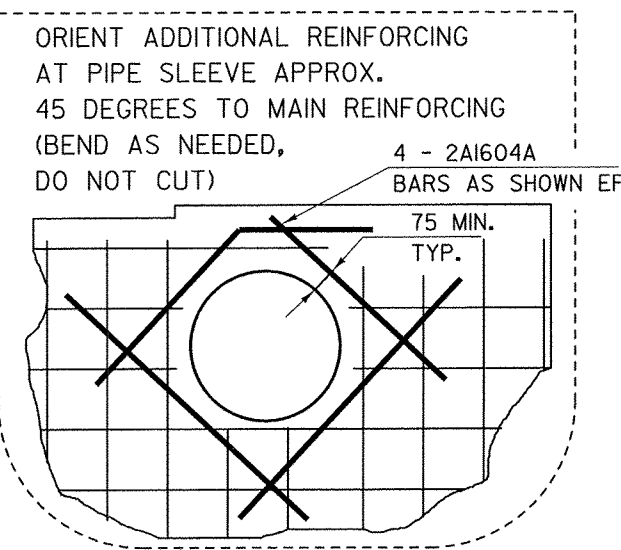
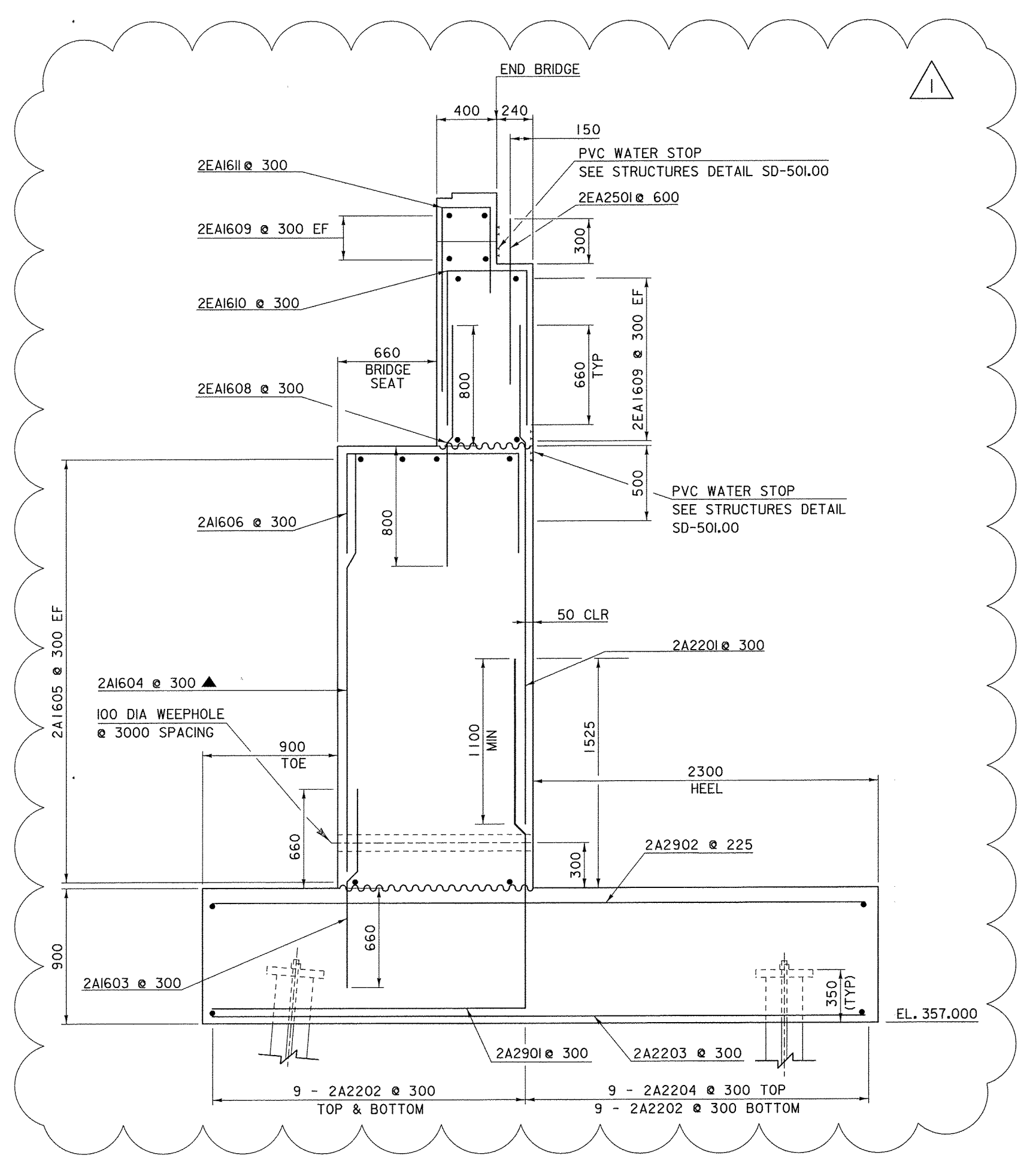
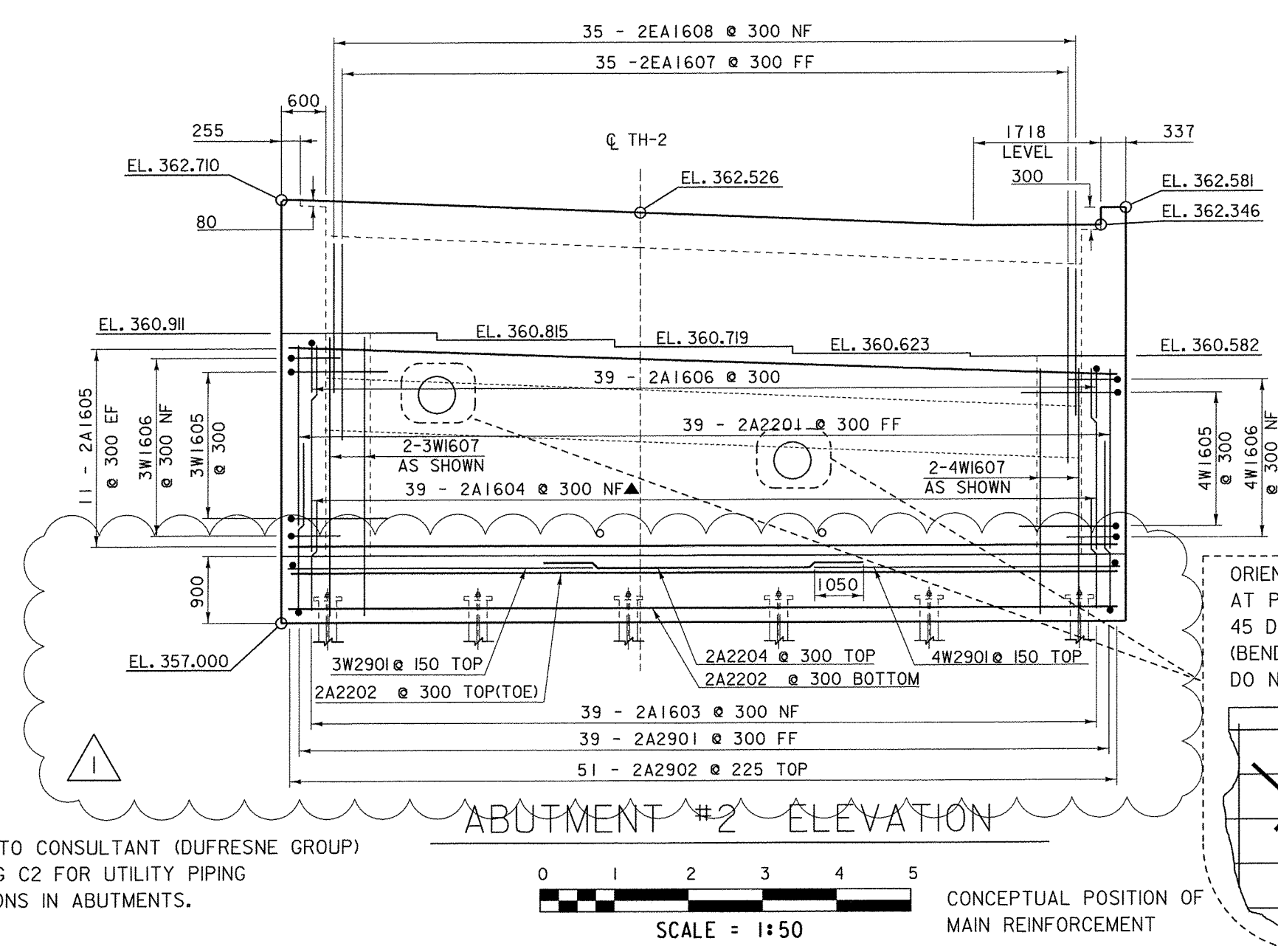
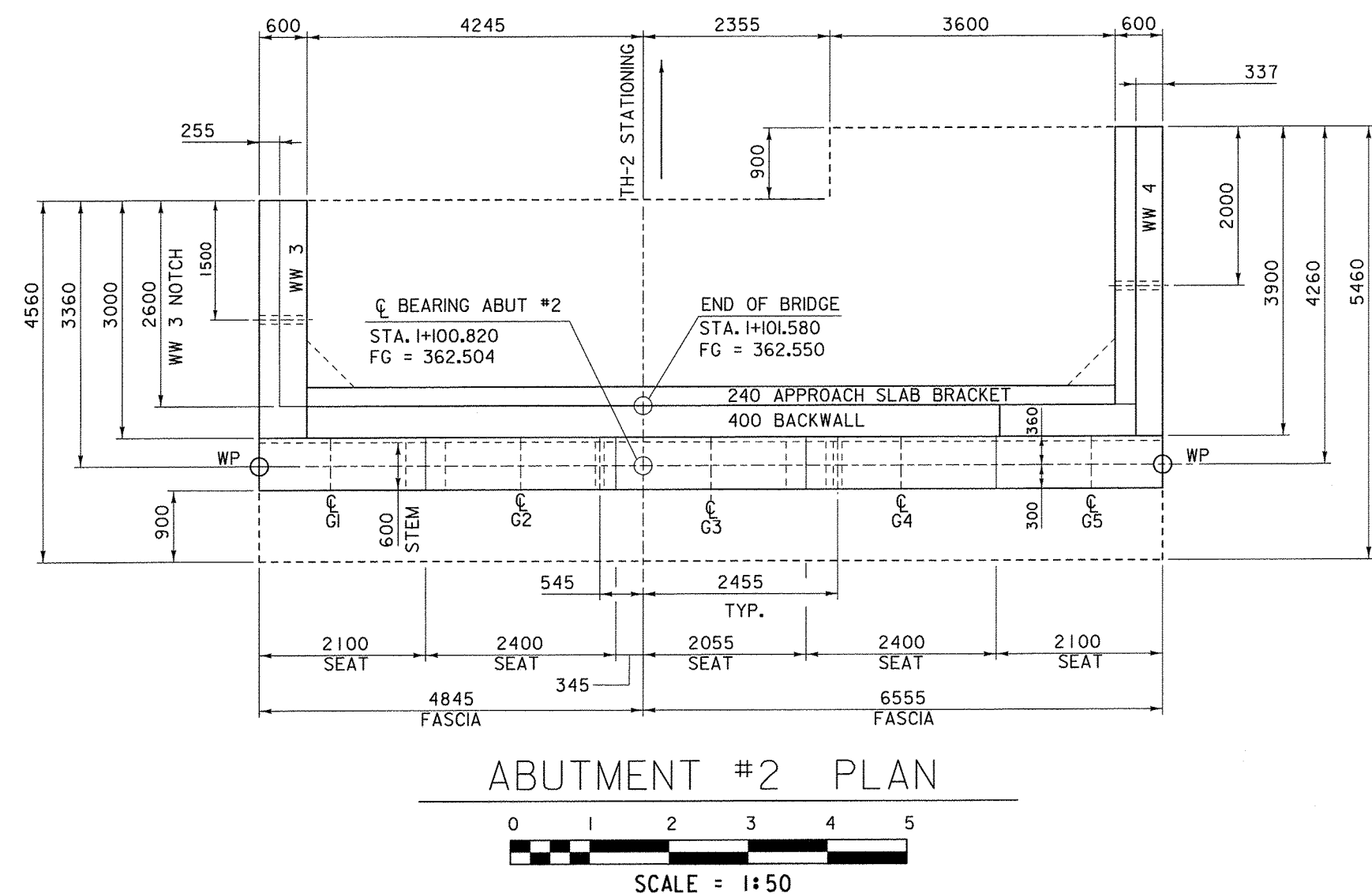


REVISION	DATE	DESCRIPTION	BY
1	04-10-2013	CHANGED STEM WIDTH AND FIXED REBAR AS APPROPRIATE	MRU



NF = NEAR FACE
 FF = FAR FACE
 EF = EACH FACE
 ▲ = CUT TO FIT IN FIELD

75 CLEAR, UNLESS OTHERWISE SPECIFIED ON THE PLANS
 660 BAR LAP UNLESS OTHERWISE SPECIFIED ON THE PLANS

PROJECT NAME: READSBORO
 PROJECT NUMBER: BRF 0105 (3)
 FILE NAME: 89J088/STR/s89J088sub.dgn
 PROJECT LEADER: J. LACROIX
 DESIGNED BY: W. PELLETIER
 ABUTMENT 2 DETAILS
 PLOT DATE: 12-APR-2013
 DRAWN BY: G. ROKES
 CHECKED BY: W. PELLETIER
 SHEET 2 OF 5

REFER TO CONSULTANT (DUFRESNE GROUP)
 DRAWING C2 FOR UTILITY PIPING
 LOCATIONS IN ABUTMENTS.