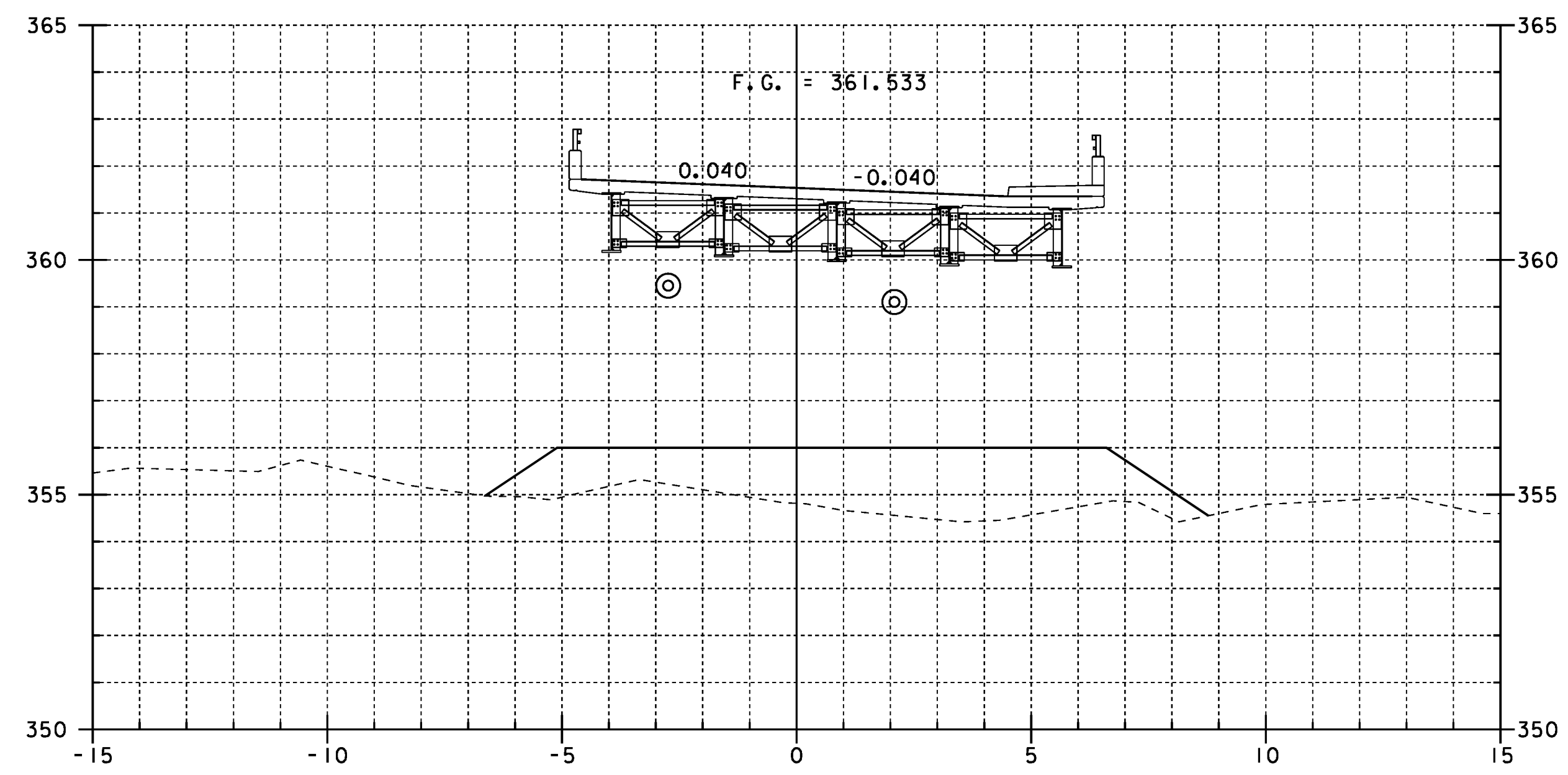
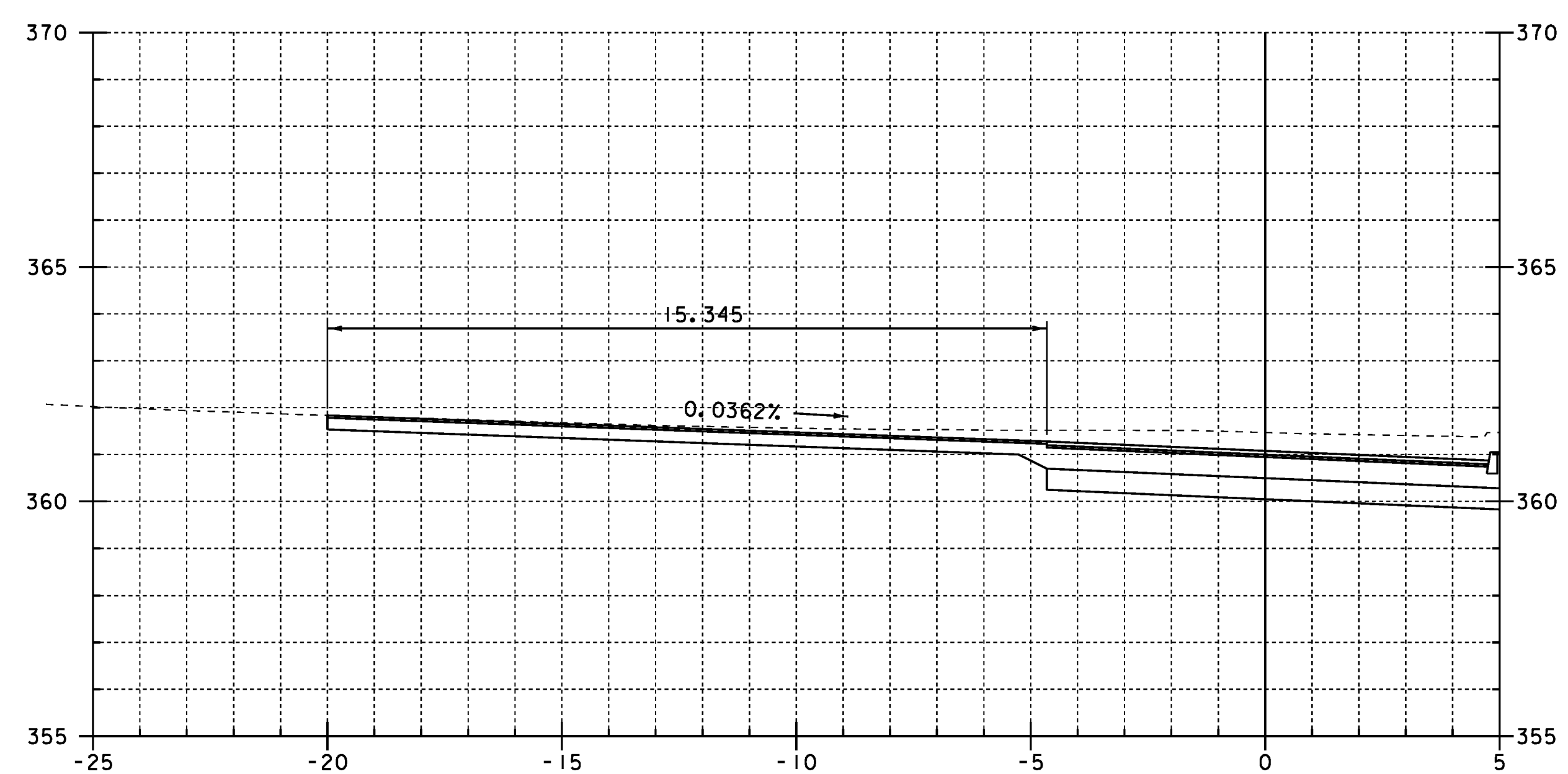


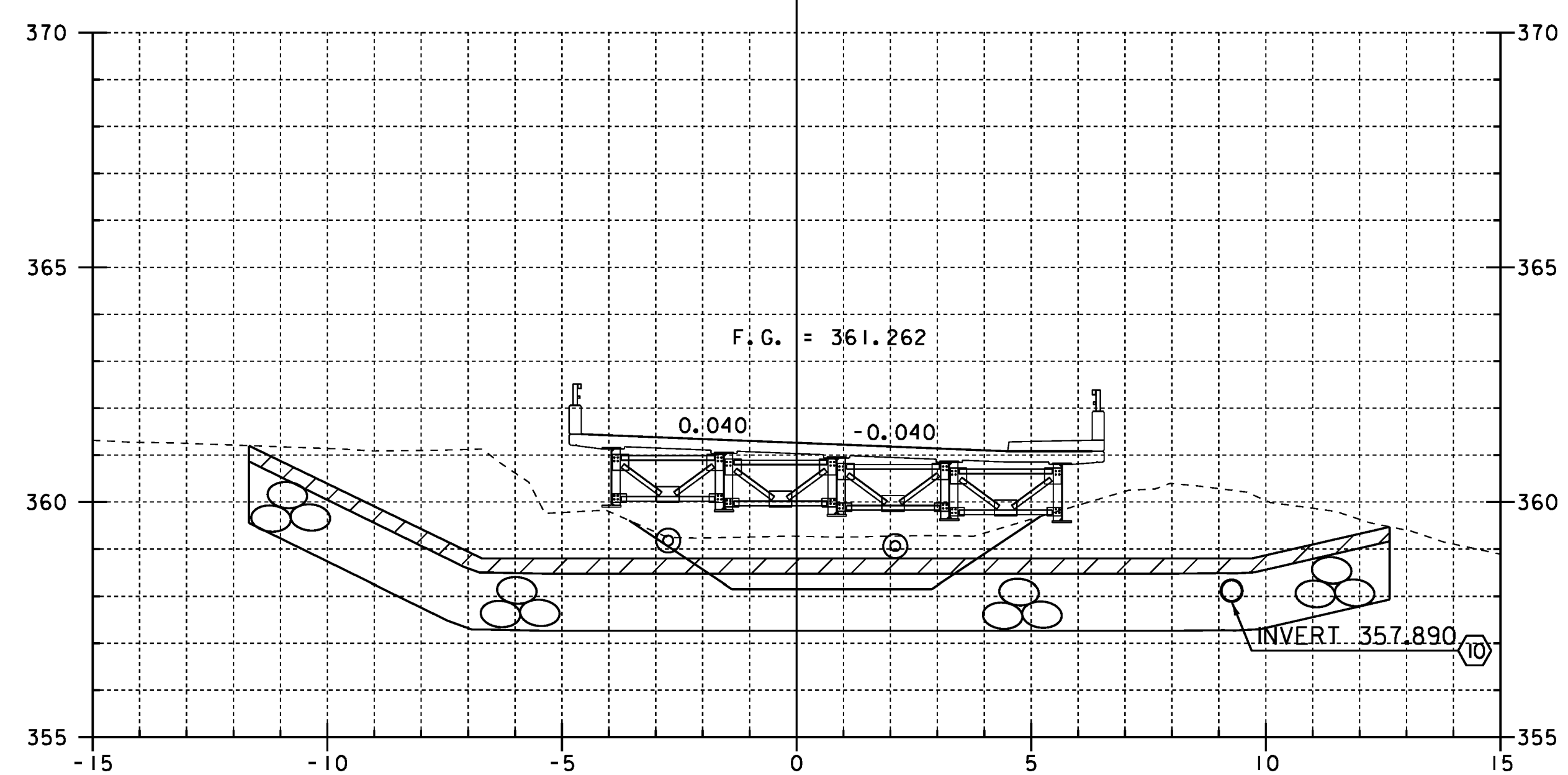
I+068.600
BEGIN BRIDGE



I+080



I+060
DRIVE SKEWED



I+070

⑩ NEW CPEP/CAAP/PCCSP
DIAMETER = 450mm

PROJECT NAME:	READSBORO
PROJECT NUMBER:	BRF 0105 (3)
FILE NAME:	89J088/STR/sj088xs.dgn
PROJECT LEADER:	J. LACROIX
DESIGNED BY:	W. PELLETIER
MAINLINE CROSS SECTIONS SHEET 3	
PLOT DATE:	07-MAR-2012
DRAWN BY:	G. ROKES
CHECKED BY:	W. PELLETIER
SHEET	82 OF 90

STA. I+060.000 TO STA. I+080.000