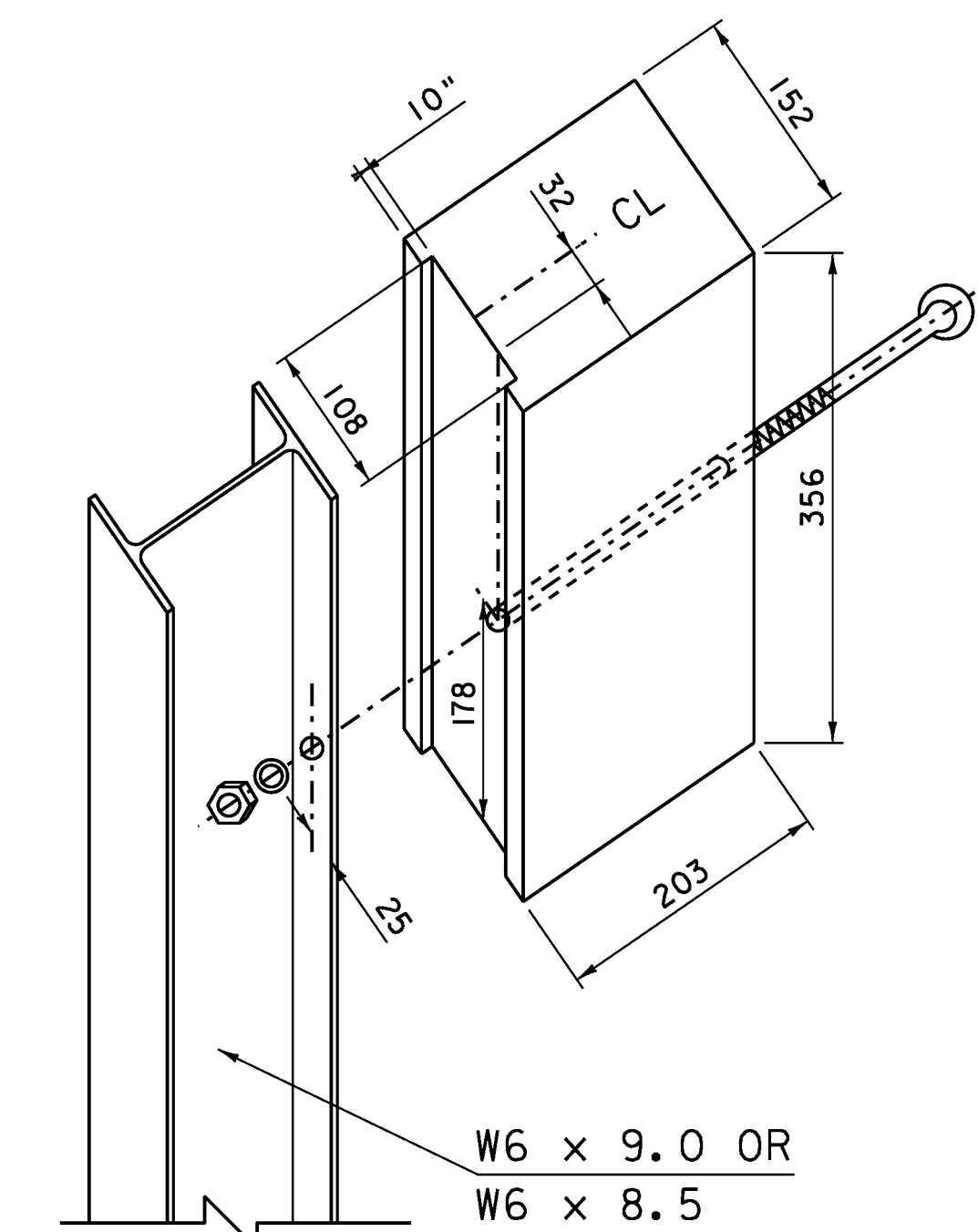
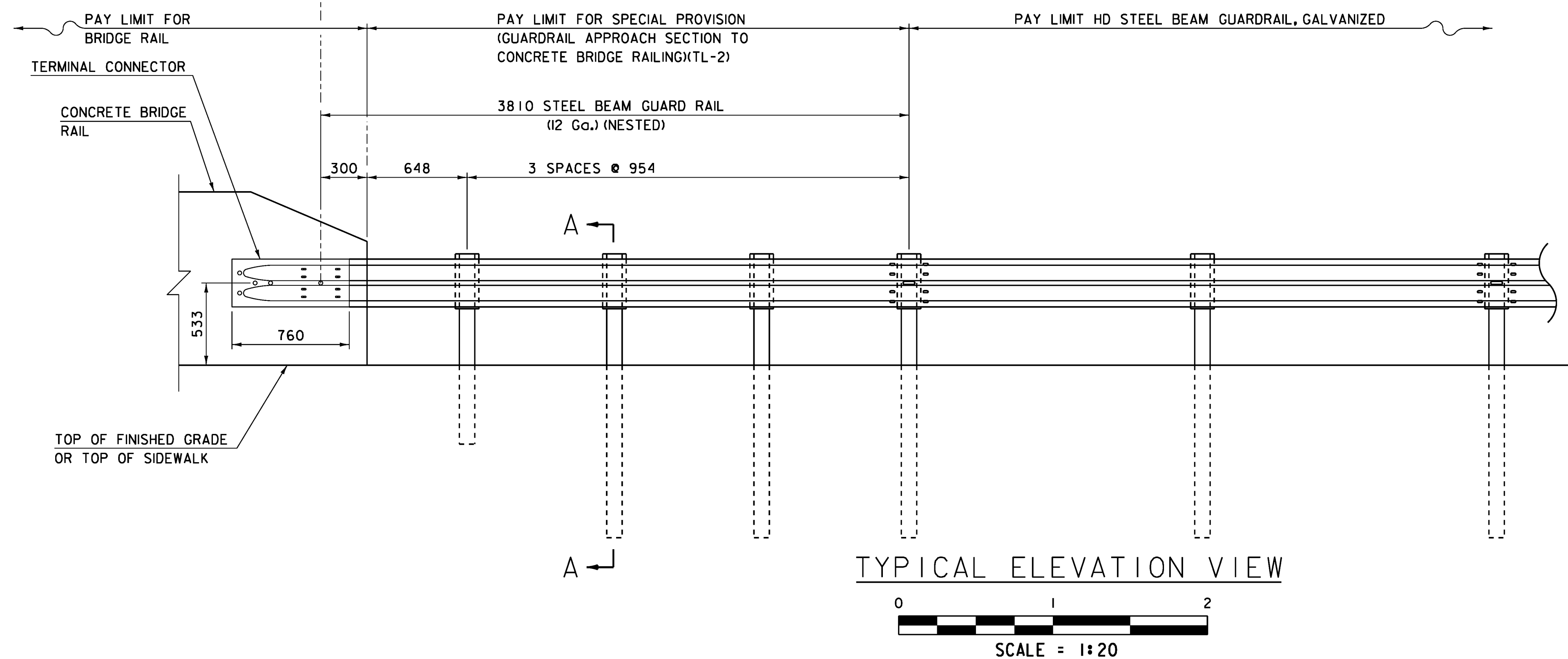


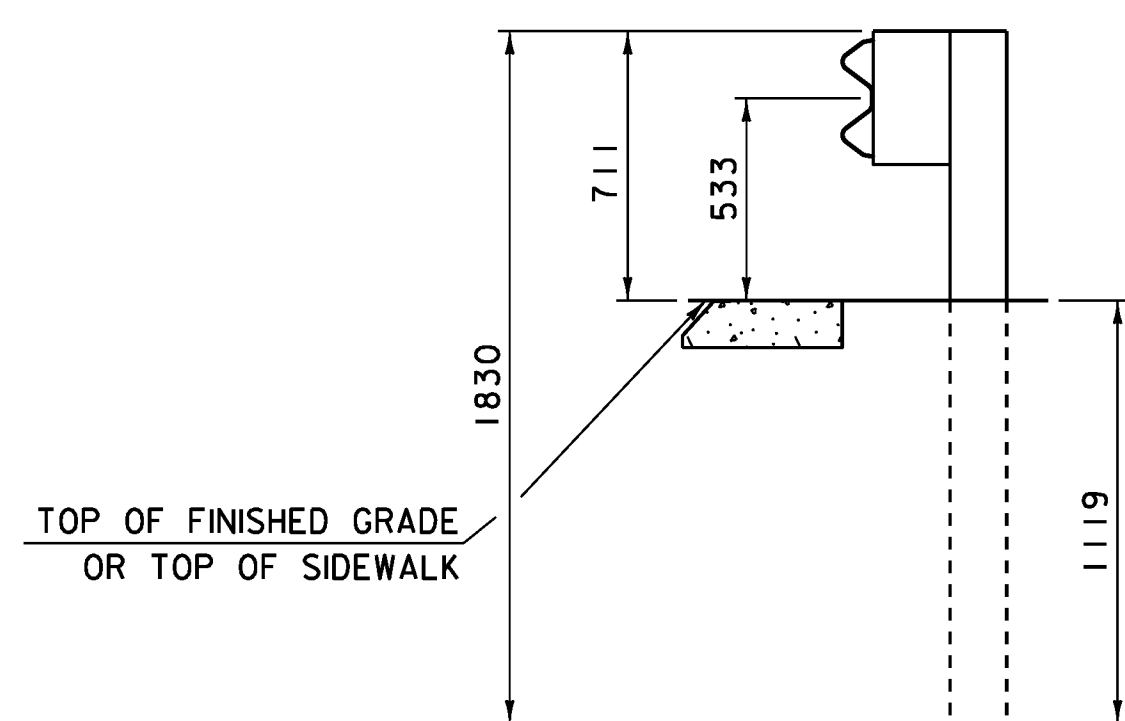
### GENERAL NOTES

1. A COMPOSITE MATERIAL BLOCKOUT FROM THE APPROVED PRODUCTS LIST MAY BE SUBSTITUTED FOR A POST AND/OR BLOCKOUT OF SIMILAR DIMENSIONS.
2. REFER TO STANDARD DRAWINGS G-1 AND G-ID FOR ADDITIONAL DETAILS.
3. THE TERMINAL CONNECTOR SHALL BE INCLUDED IN THE BID PRICE FOR ITEM 900.620 "SPECIAL PROVISION (GUARDRAIL APPROACH SECTION TO CONCRETE BRIDGE RAILING)(TL-2)". THE CONNECTION PLATE SHALL BE INCLUDED IN THE BID PRICE FOR ITEM 900.640 "SPECIAL PROVISION (BRIDGE RAILING, GALVANIZED STEEL TUBING/CONCRETE COMBINATION)".

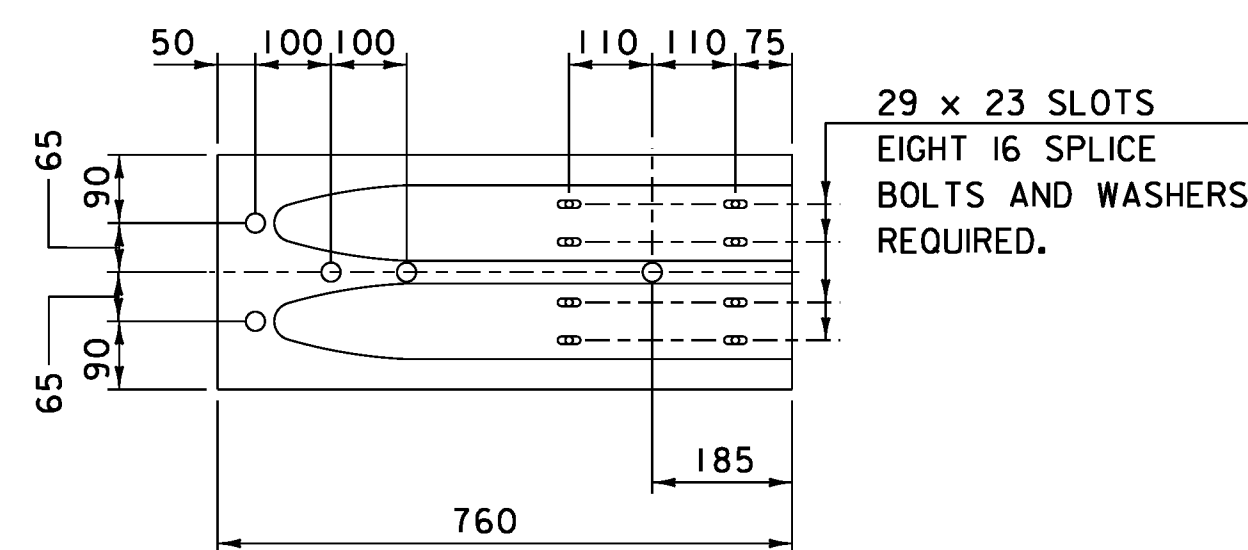


BLOCKOUT TO POST DETAIL

NTS

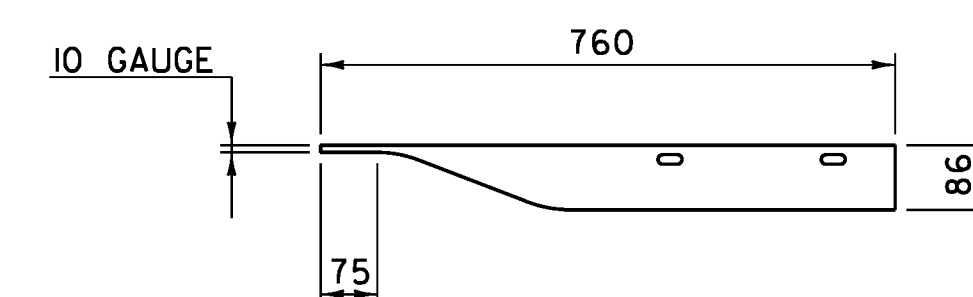


SECTION A-A



TERMINAL CONNECTOR ELEVATION VIEW

NTS



TYPICAL PLAN VIEW

NTS

PROJECT NAME: READSBORO  
PROJECT NUMBER: BRF 0105 (3)

FILE NAME: 89J088/STR/s89J088sup.dgn PLOT DATE: 07-MAR-2012  
PROJECT LEADER: J. LACROIX DRAWN BY: G. ROKES  
DESIGNED BY: W. PELLETIER CHECKED BY: W. PELLETIER  
APPROACH RAIL DETAILS SHEET 63 OF 90