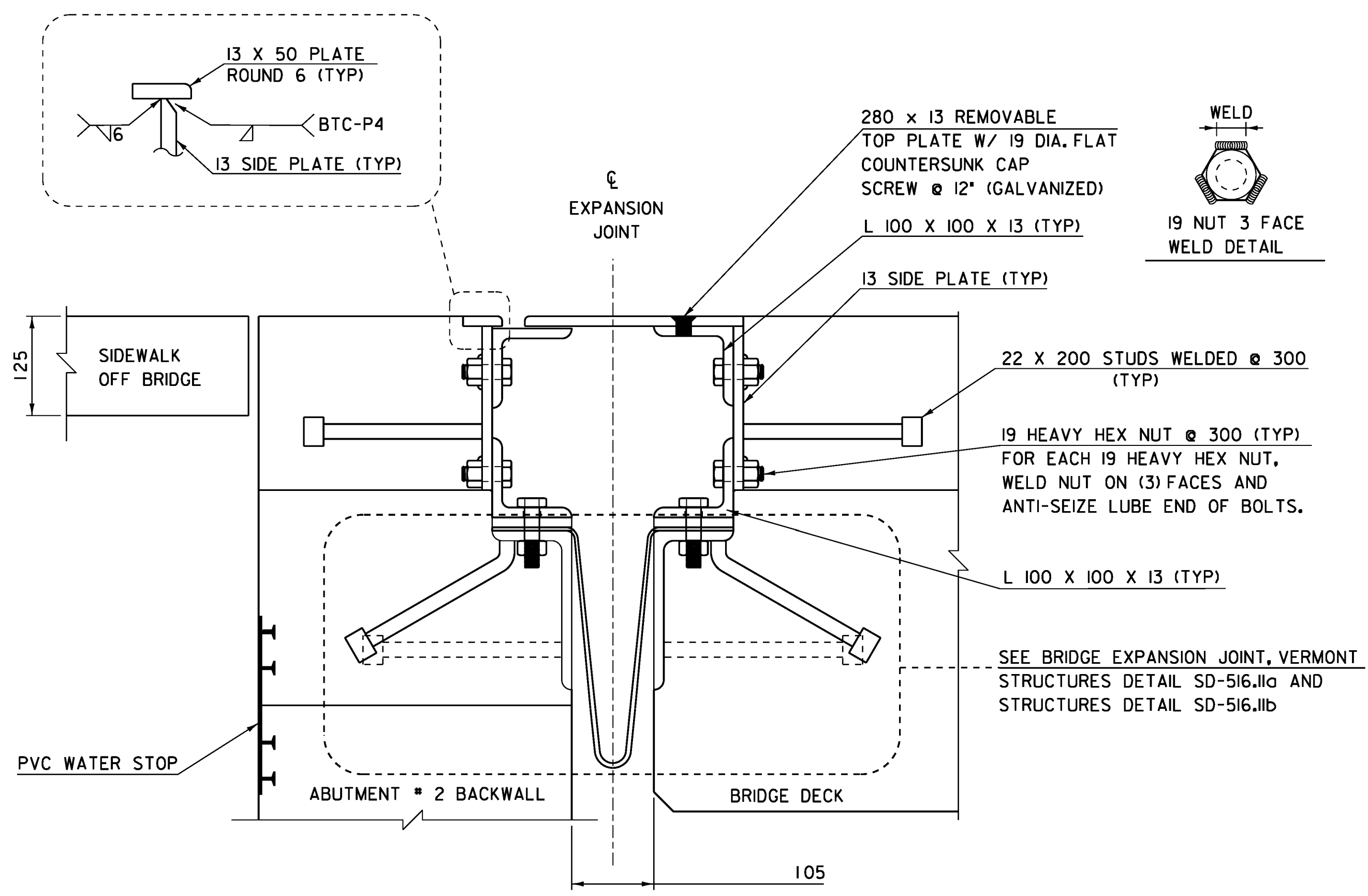


**DETAIL A**  
NOT TO SCALE

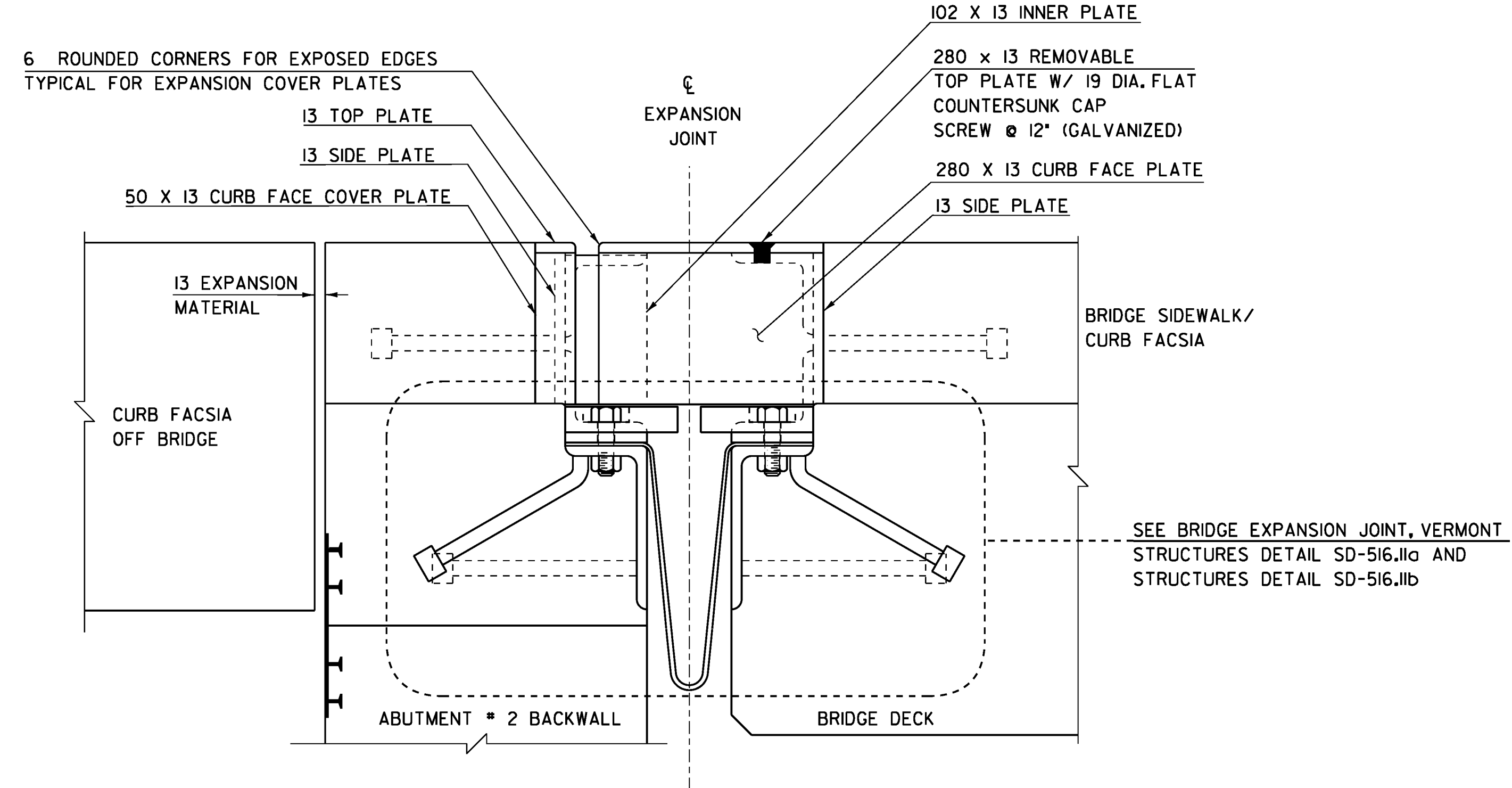
**BRIDGE EXPANSION JOINT SIDEWALK SECTION**

NTS



**BRIDGE EXPANSION JOINT SIDEWALK TYPICAL**

NTS



**SIDEWALK EXPANSION JOINT AT CURB FACE**

NTS

PROJECT NAME:	READSBORO
PROJECT NUMBER:	BRF 0105 (3)
FILE NAME:	89J088/STR/s89J088sup.dgn
PROJECT LEADER:	J. LACROIX
DESIGNED BY:	W. PELLETIER
BRIDGE SIDEWALK EXPANSION JOINT DETAILS	SHEET 62 OF 90
PLOT DATE:	07-MAR-2012
DRAWN BY:	G. ROKES
CHECKED BY:	W. PELLETIER