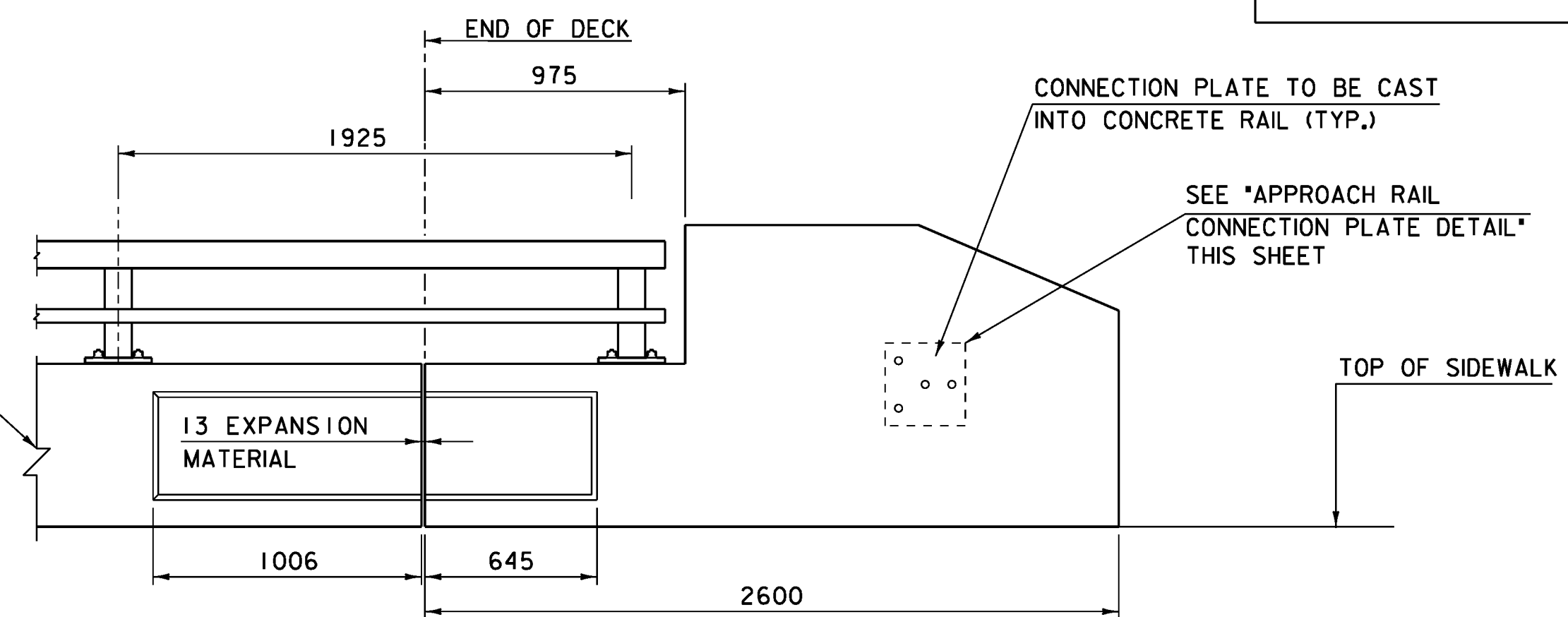
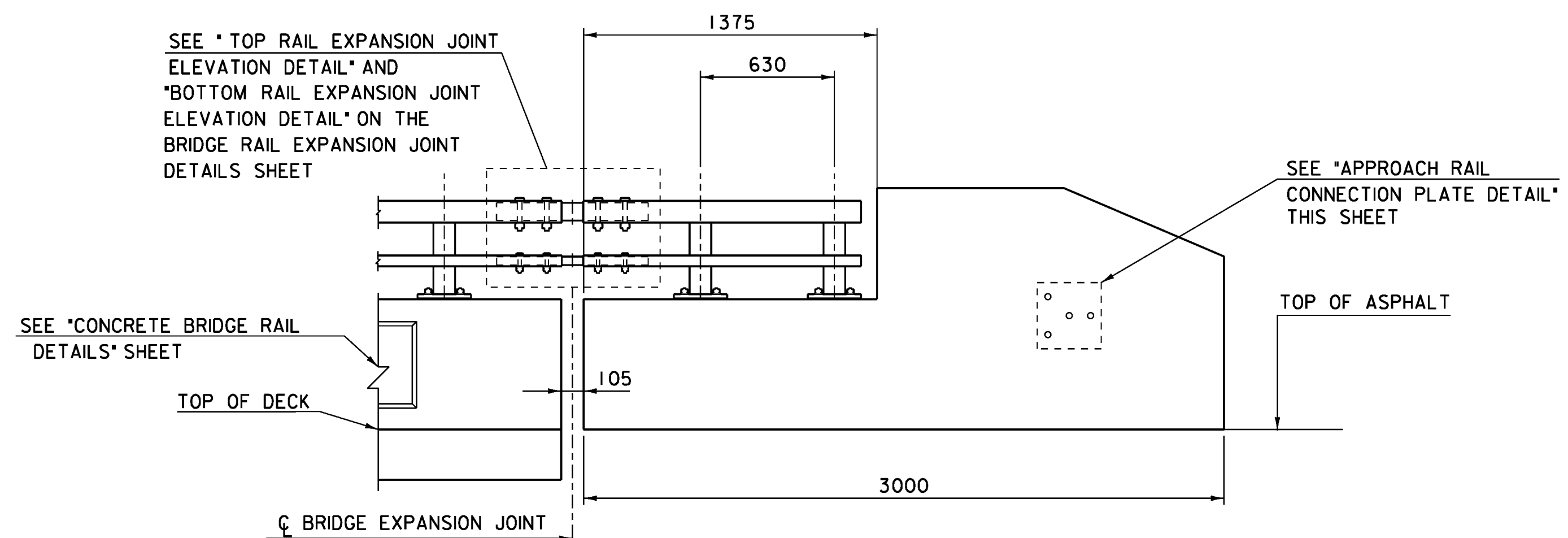


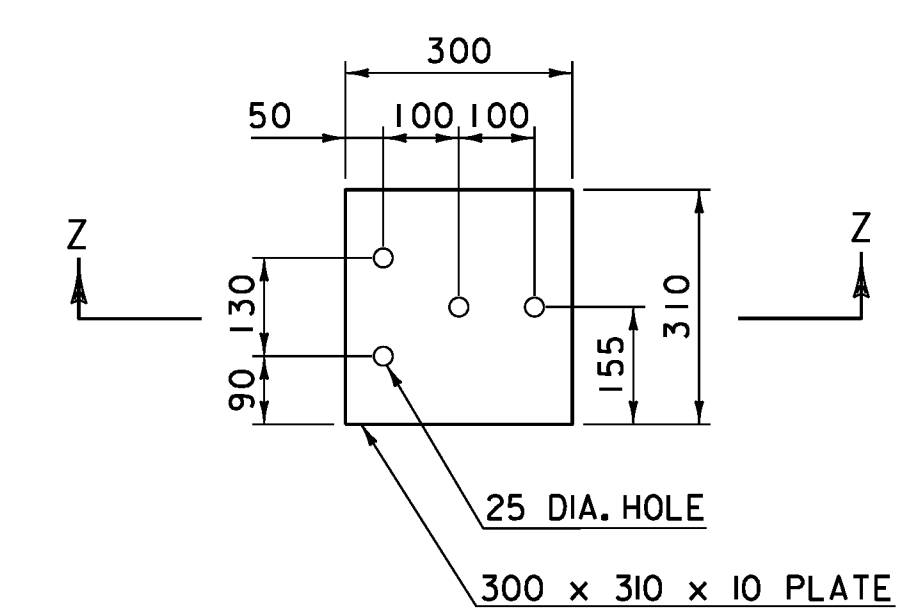
WINGWALL #4 CONCRETE RAIL ELEVATION



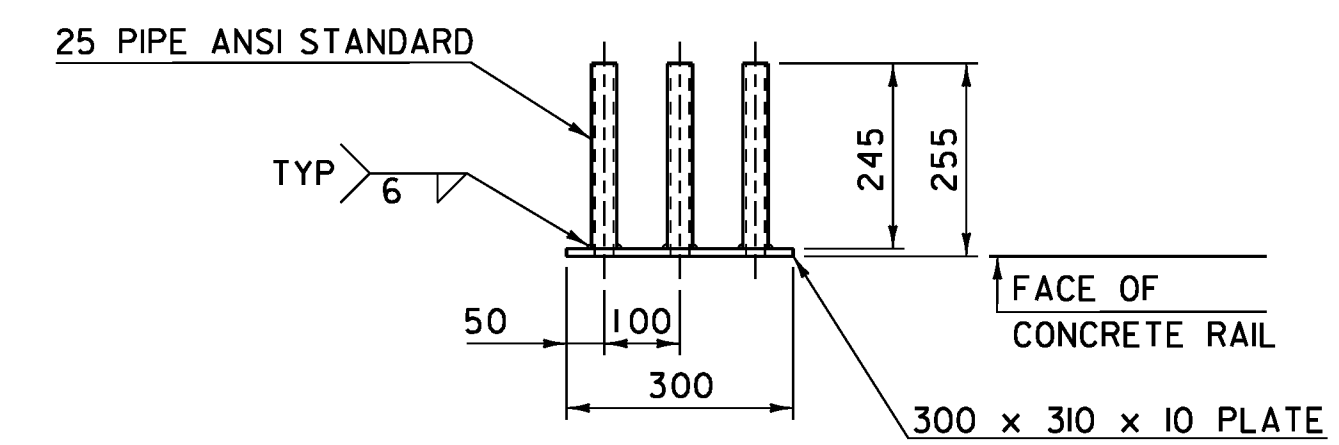
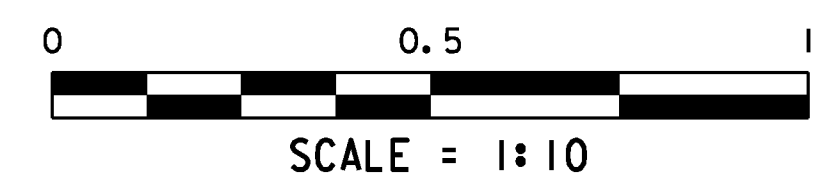
WINGWALL #2 CONCRETE RAIL ELEVATION



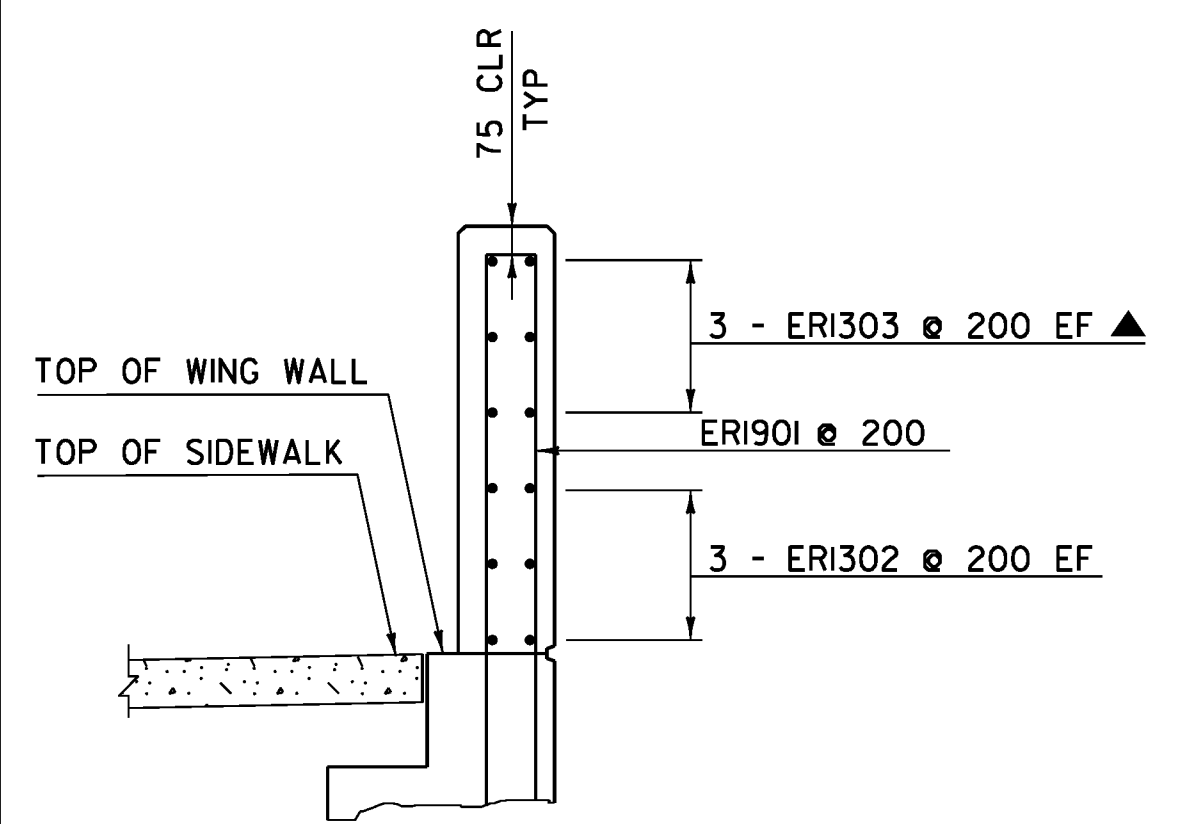
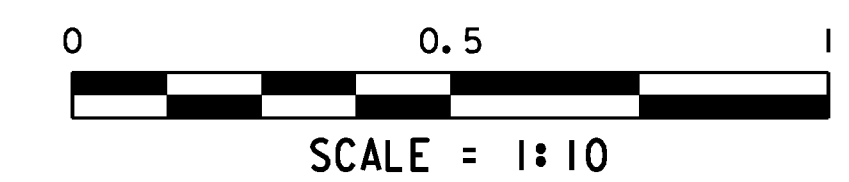
WINGWALL #3 CONCRETE RAIL ELEVATION



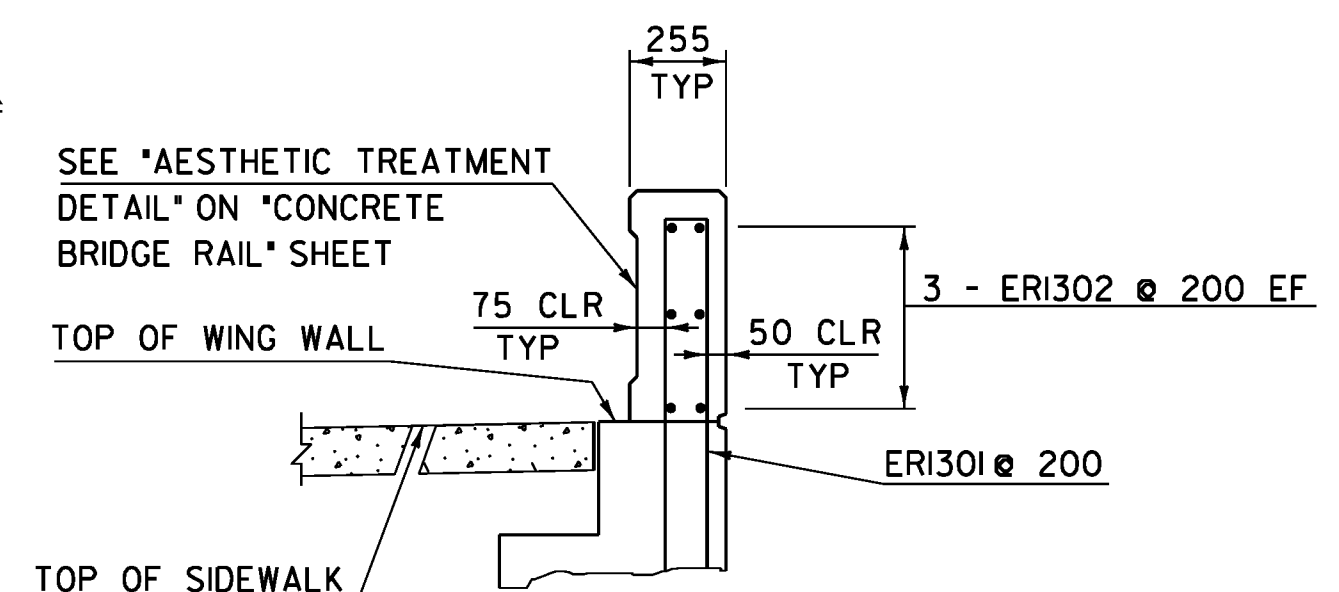
APPROACH RAIL CONNECTION PLATE DETAIL



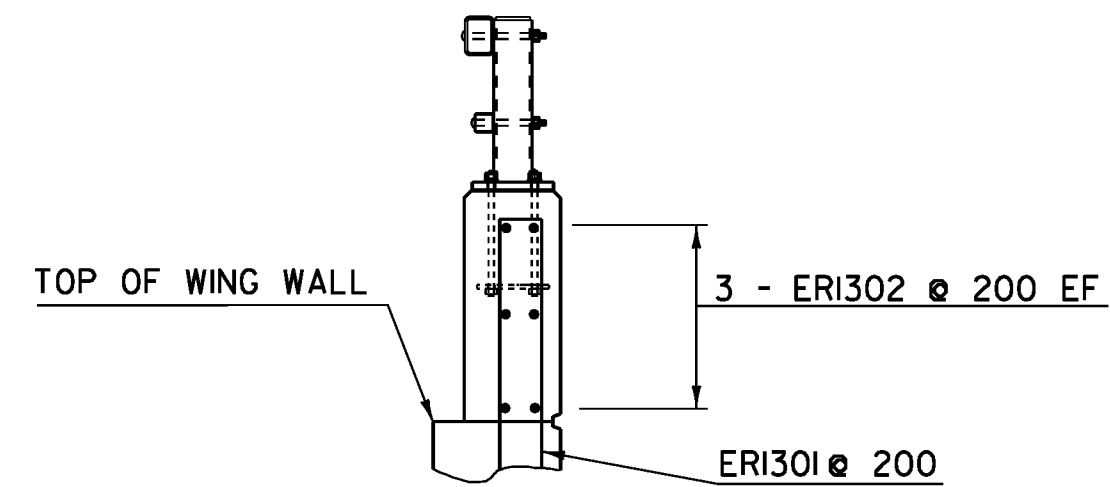
APPROACH RAIL CONNECTION PLATE SECTION Z-Z



SECTION E-E



SECTION F-F



SECTION G-G

ALL DETAILS ON THIS SHEET ARE 1:20 SCALE UNLESS OTHERWISE NOTED



PROJECT NAME:	READSBORO
PROJECT NUMBER:	BRF 0105 (3)
FILE NAME:	89J088/STR/s89J088sup.dgn
PROJECT LEADER:	J. LACROIX
DESIGNED BY:	W. PELLETIER
WINGWALL CONCRETE RAIL DETAILS	
PLOT DATE:	07-MAR-2012
DRAWN BY:	G. ROKES
CHECKED BY:	W. PELLETIER
SHEET	60 OF 90