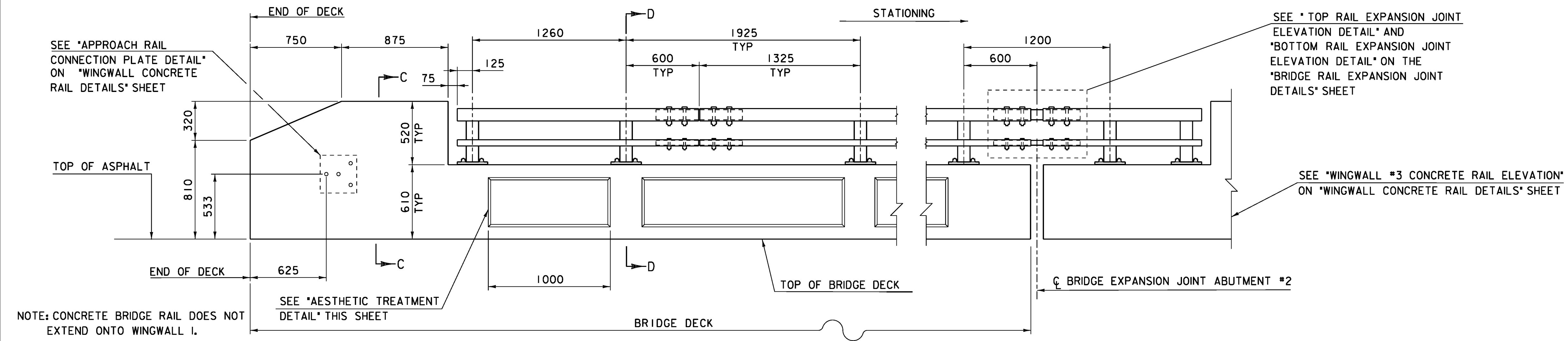
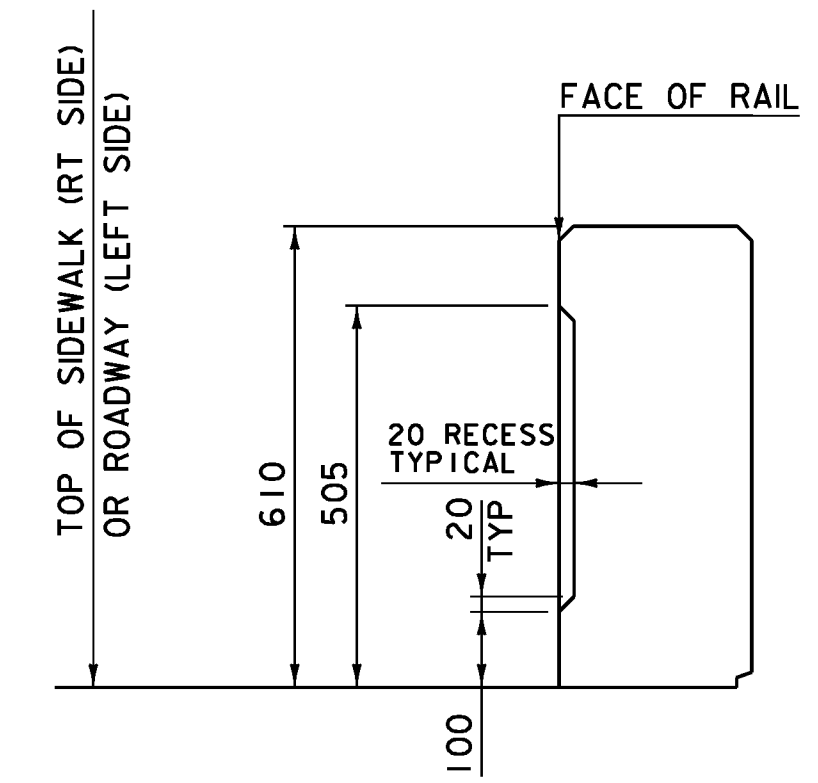


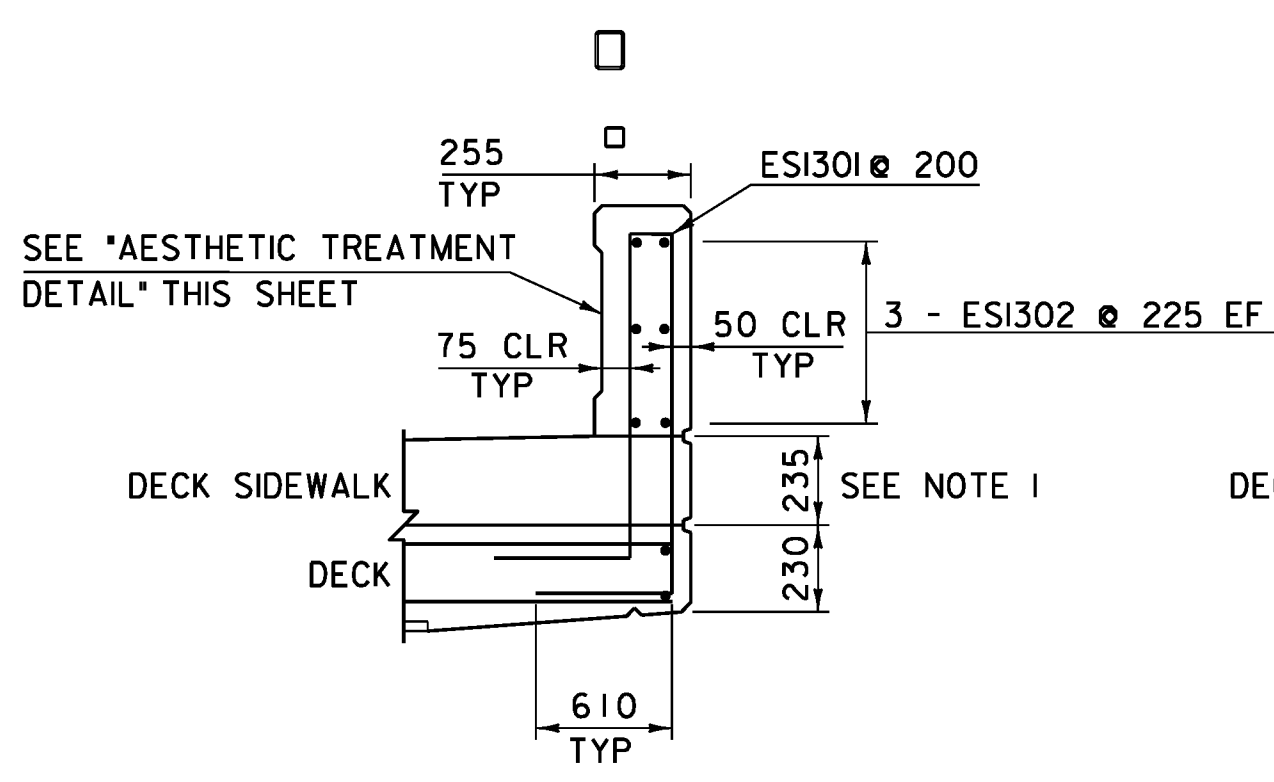
RIGHT BRIDGE CONCRETE RAIL ELEVATION (SIDEWALK)



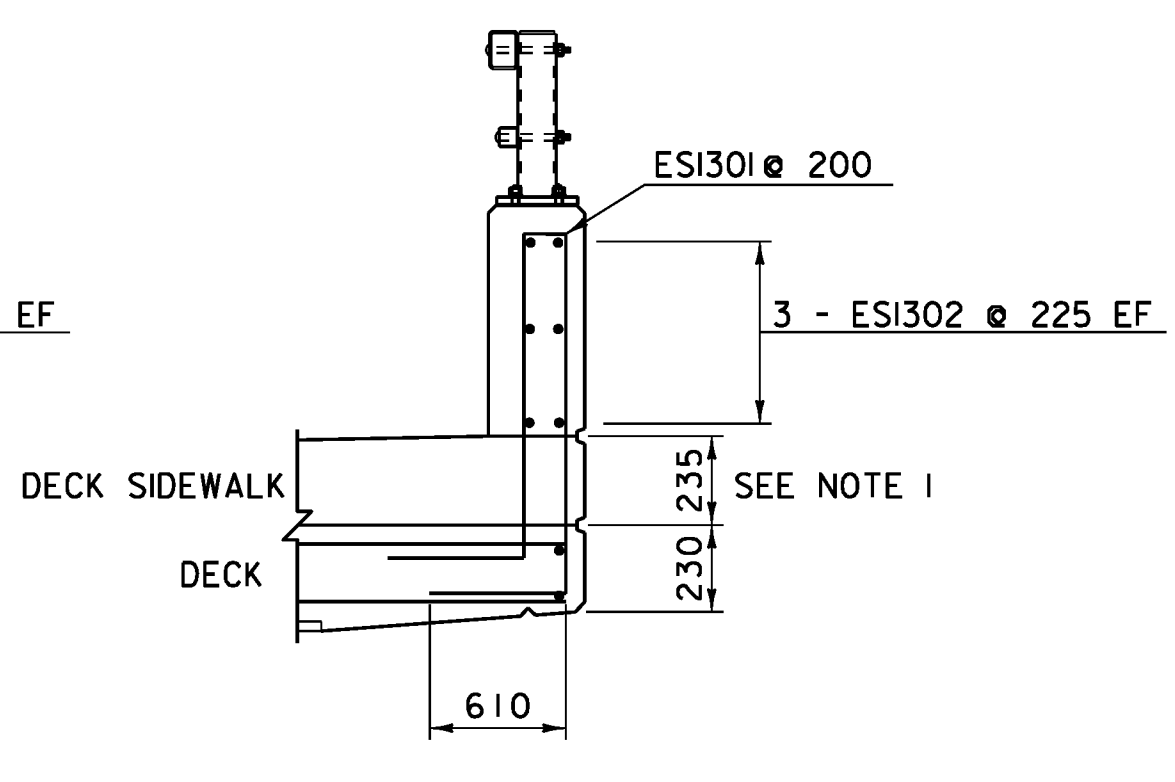
LEFT BRIDGE CONCRETE RAIL ELEVATION (NO SIDEWALK)



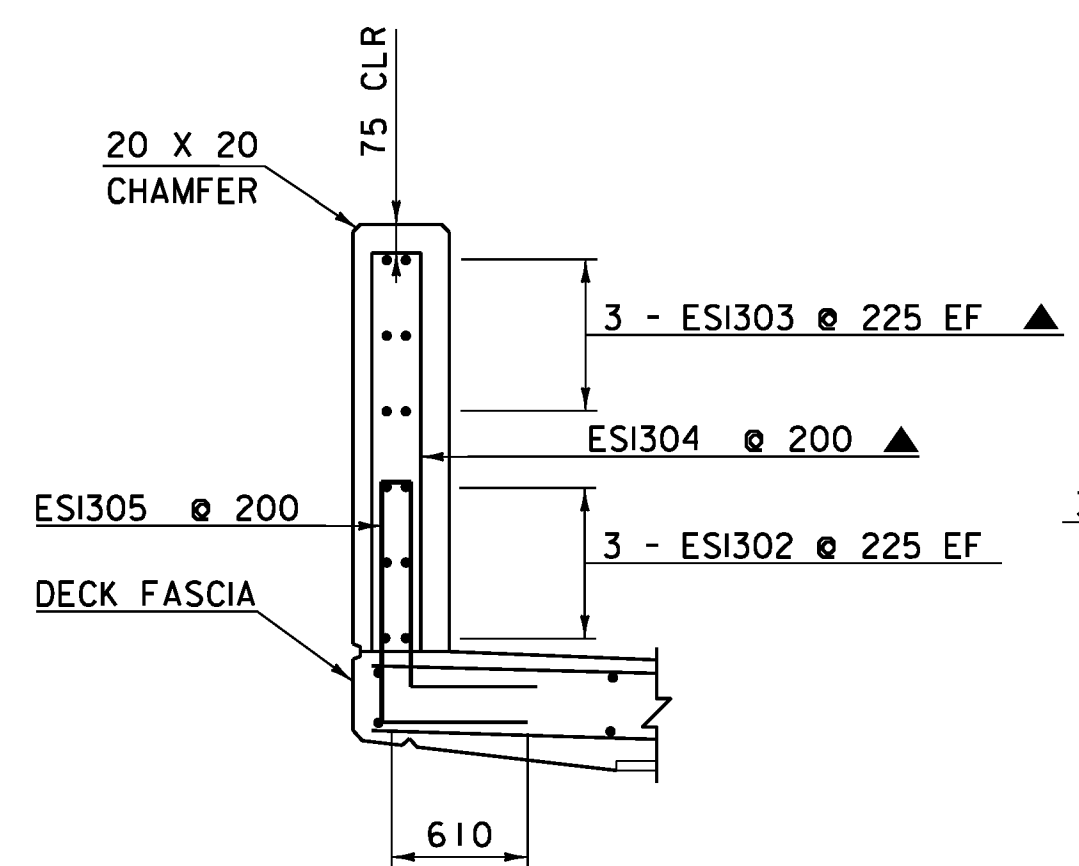
AESTHETIC TREATMENT DETAIL



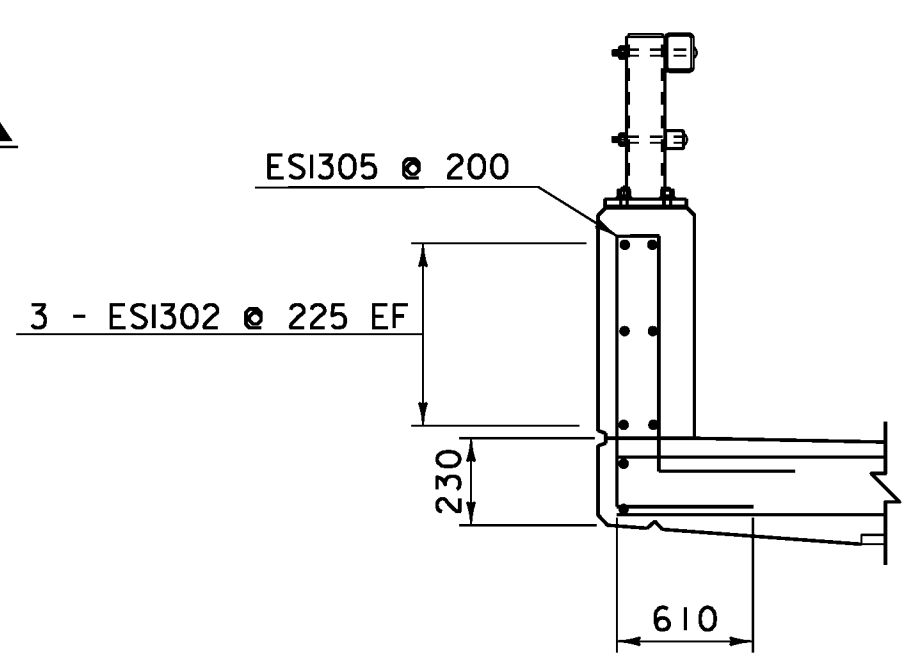
SECTION A-A



SECTION B-B

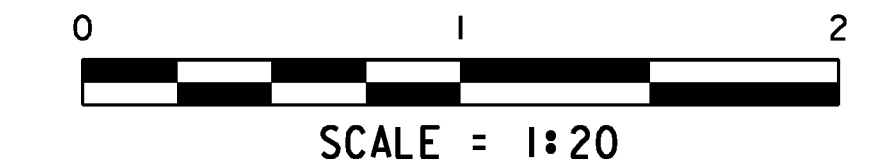


SECTION C-C



SECTION D-D

ALL DETAILS ON THIS SHEET ARE 1:20 SCALE UNLESS OTHERWISE NOTED



PROJECT NAME:	READSBORO
PROJECT NUMBER:	BRF 0105 (3)
FILE NAME:	89J088/STR/s89J088sup.dgn
PROJECT LEADER:	J. LACROIX
DESIGNED BY:	W. PELLETIER
CONCRETE BRIDGE RAIL DETAILS	
PLOT DATE:	07-MAR-2012
DRAWN BY:	G. ROKES
CHECKED BY:	W. PELLETIER
SHEET	59 OF 90