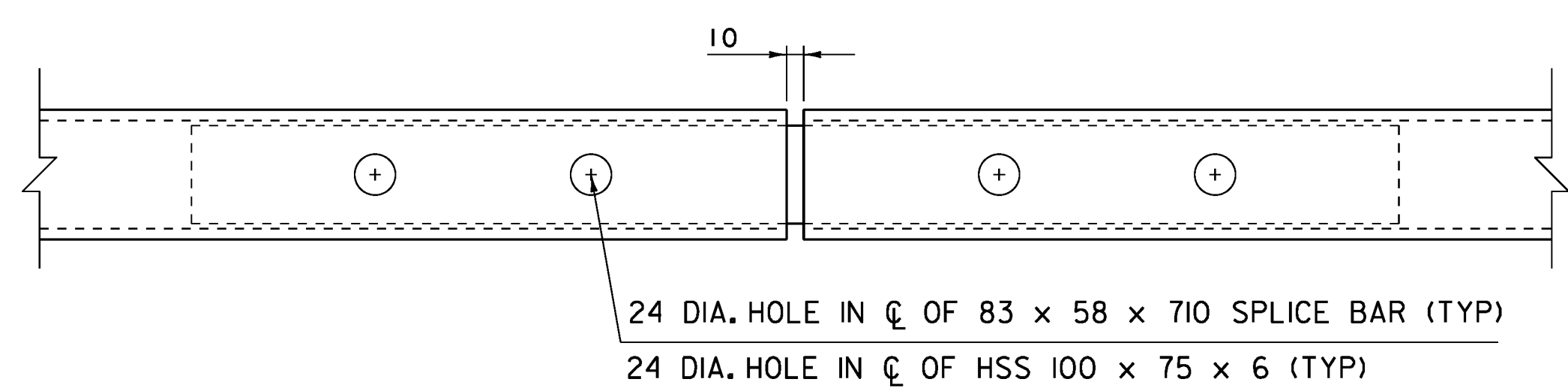
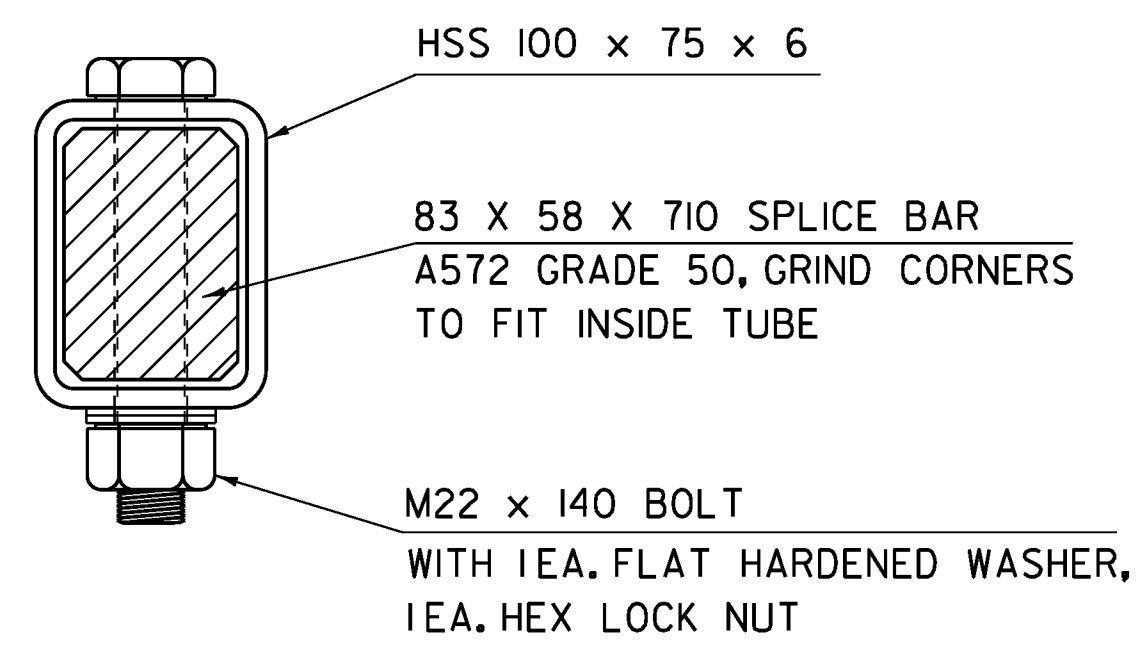


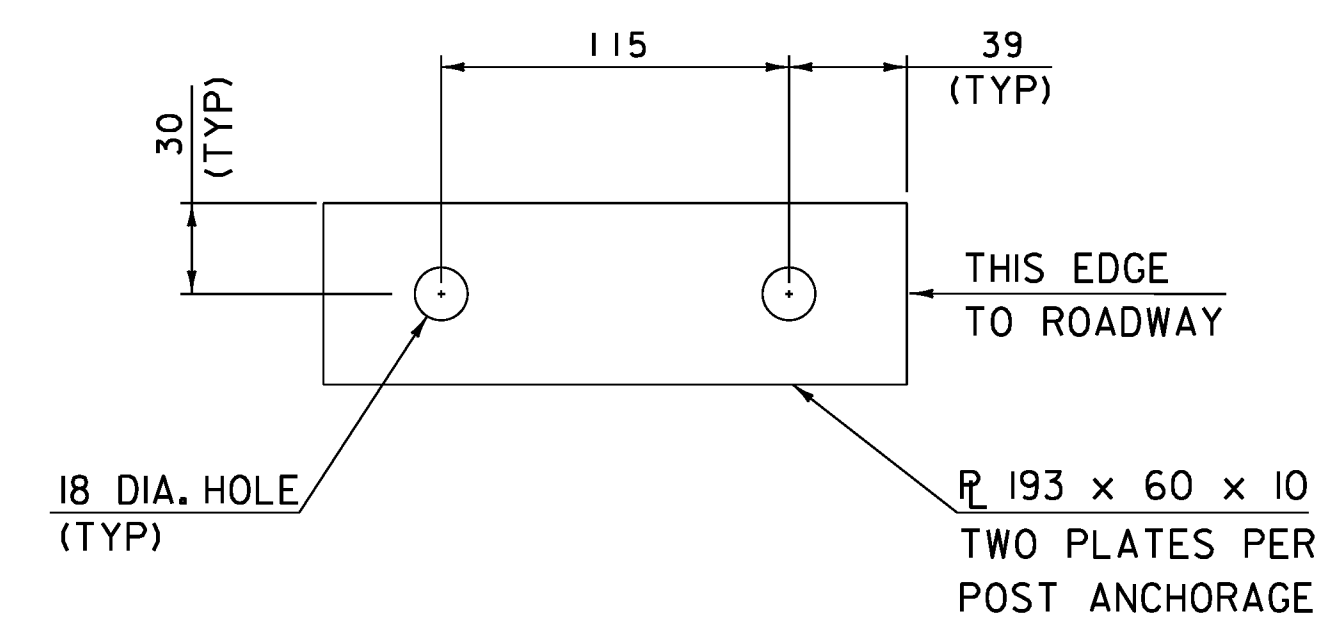
TOP RAIL SPLICE ELEVATION DETAIL
NTS



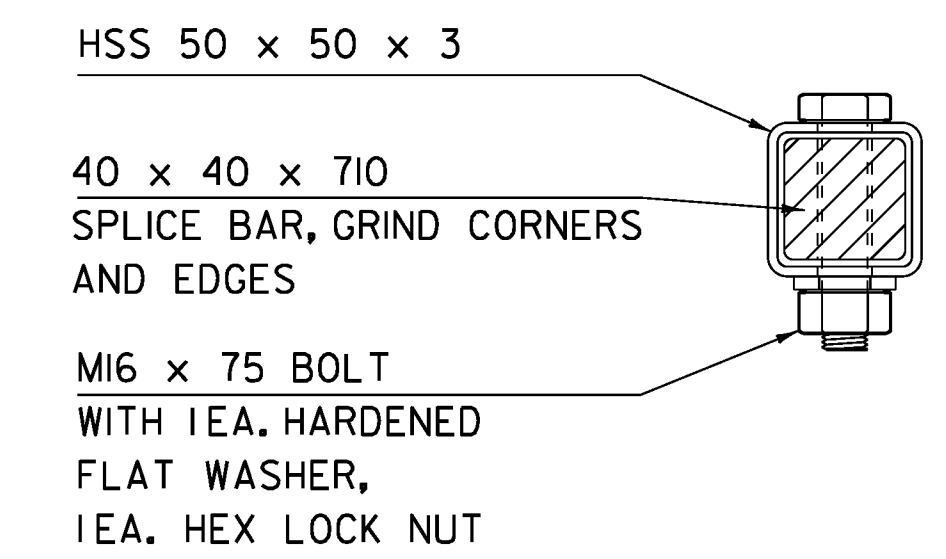
SECTION B-B
NTS



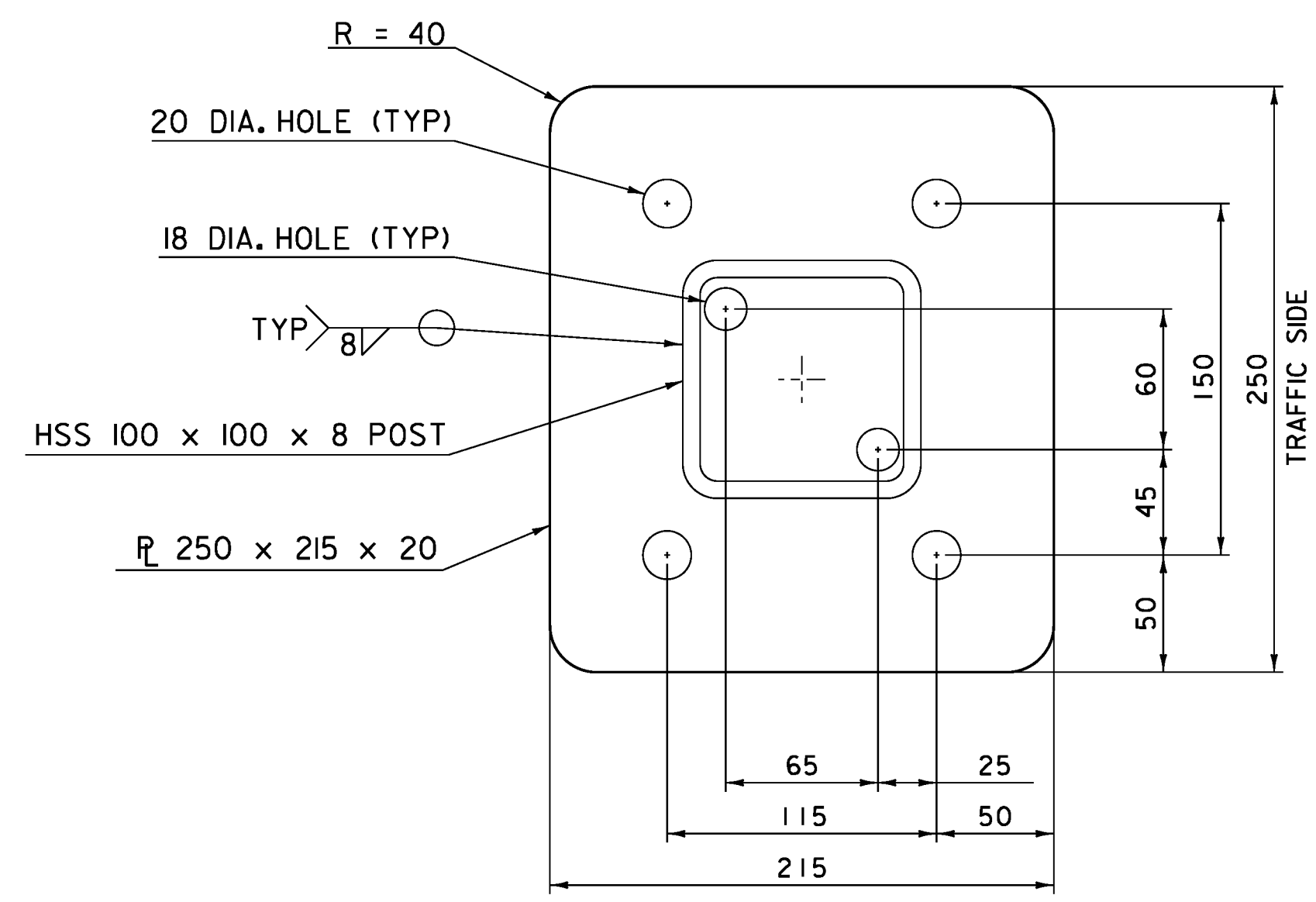
SECTION A-A
NTS



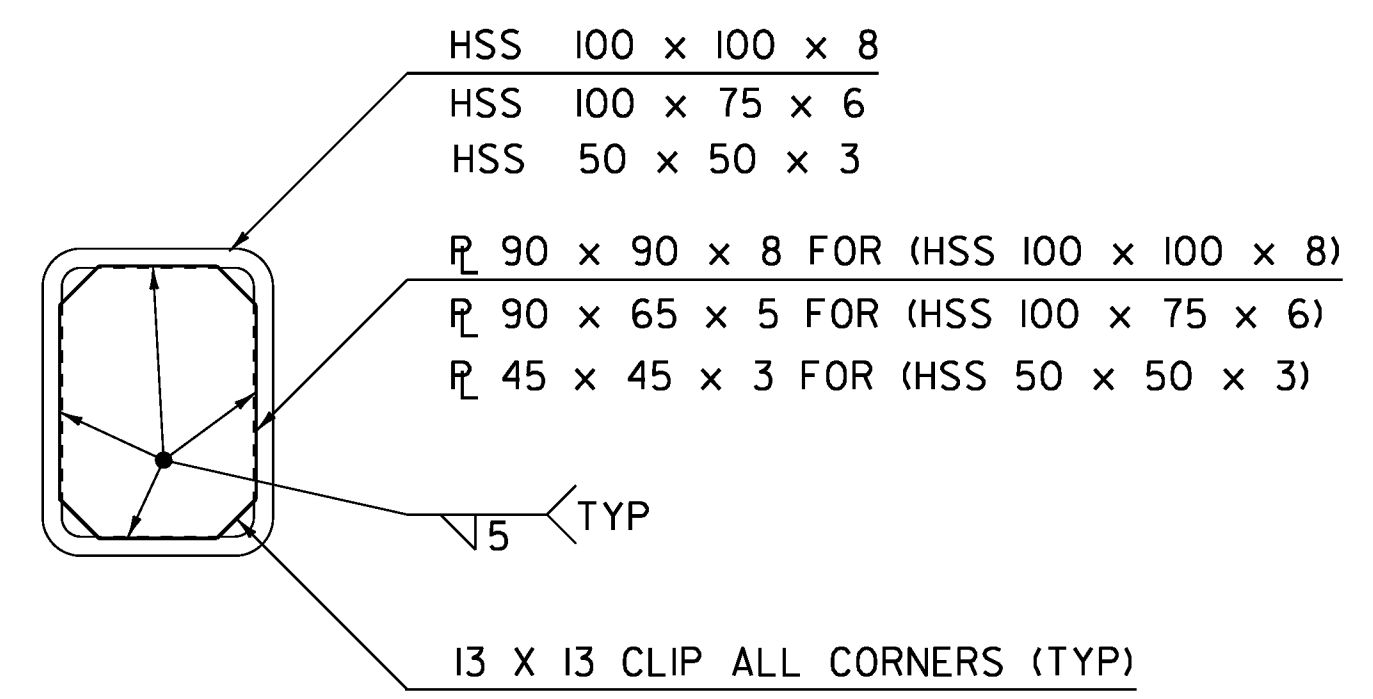
ANCHOR PLATE DETAIL
NTS



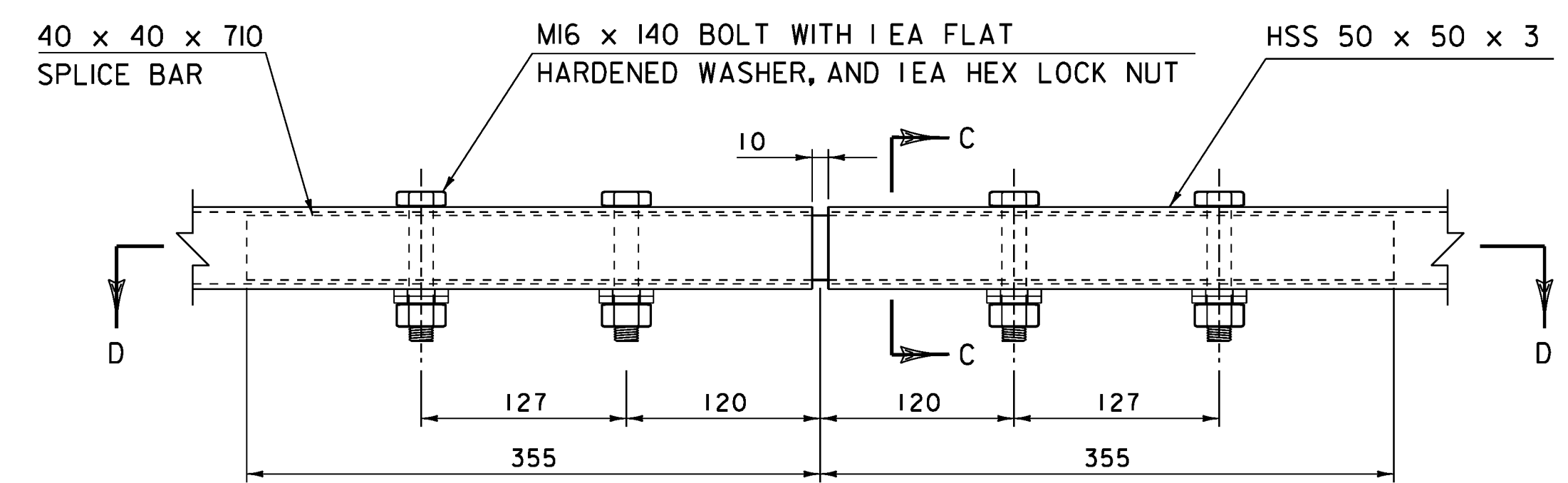
SECTION C-C
NTS



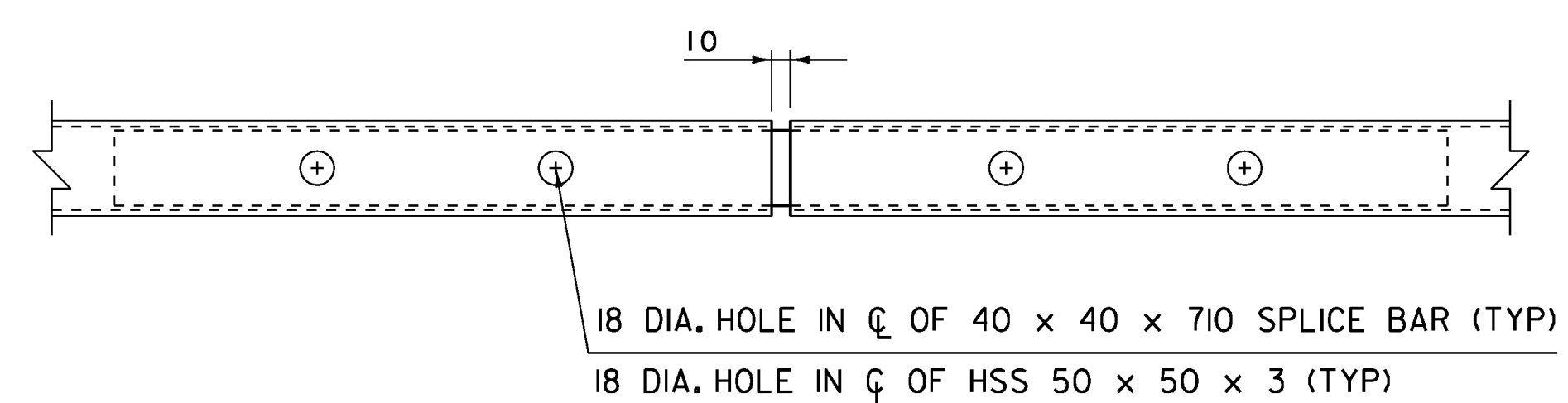
RAILING BASE PLATE DETAIL
NTS



END PLATE FOR RAILING TUBES/POST
NTS



BOTTOM RAIL SPLICE ELEVATION DETAIL
NTS



SECTION D-D
NTS

PROJECT NAME: READSBORO	
PROJECT NUMBER: BRF 0105 (3)	
FILE NAME: 89J088/STR/s89J088sup.dgn	PLOT DATE: 07-MAR-2012
PROJECT LEADER: J. LACROIX	DRAWN BY: G. ROKES
DESIGNED BY: W. PELLETIER	CHECKED BY: W. PELLETIER
BRIDGE RAIL SPLICE DETAILS	SHEET 58 OF 90