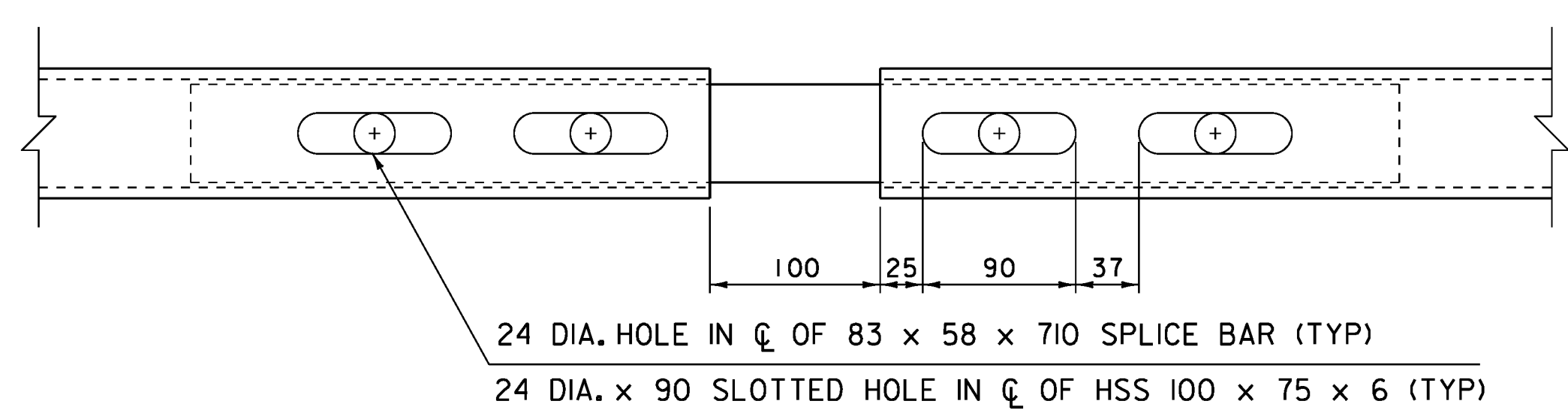
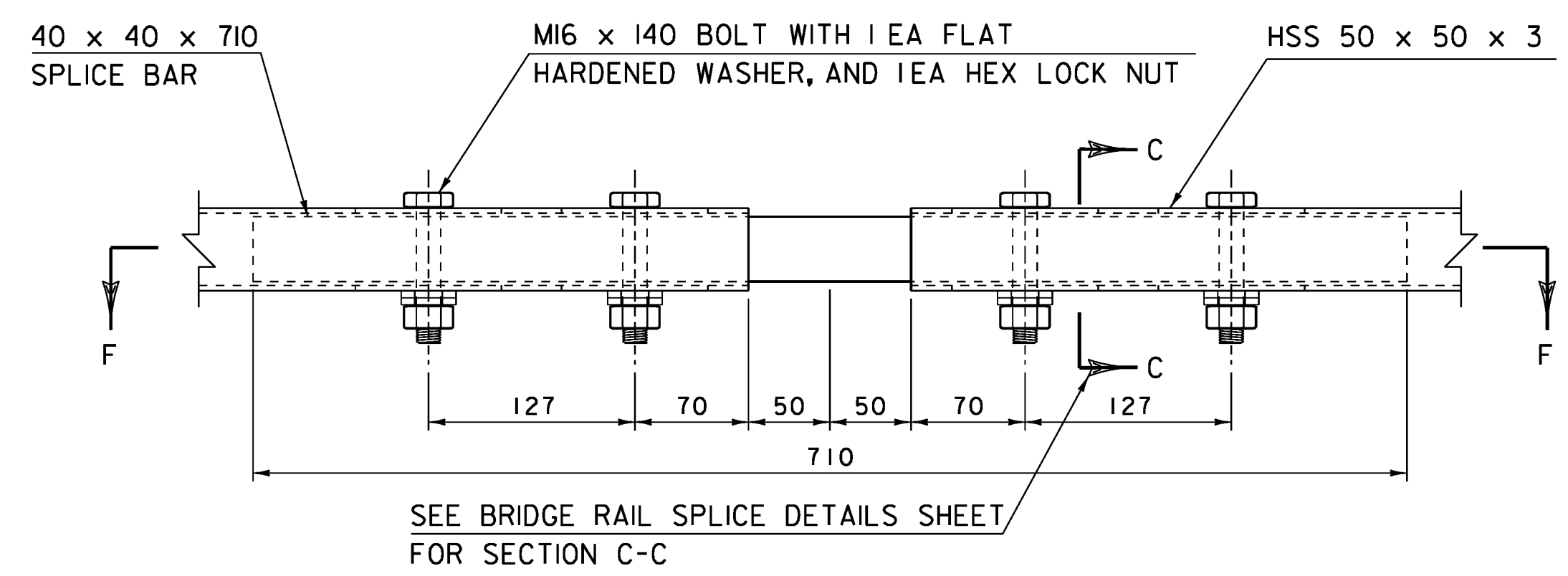


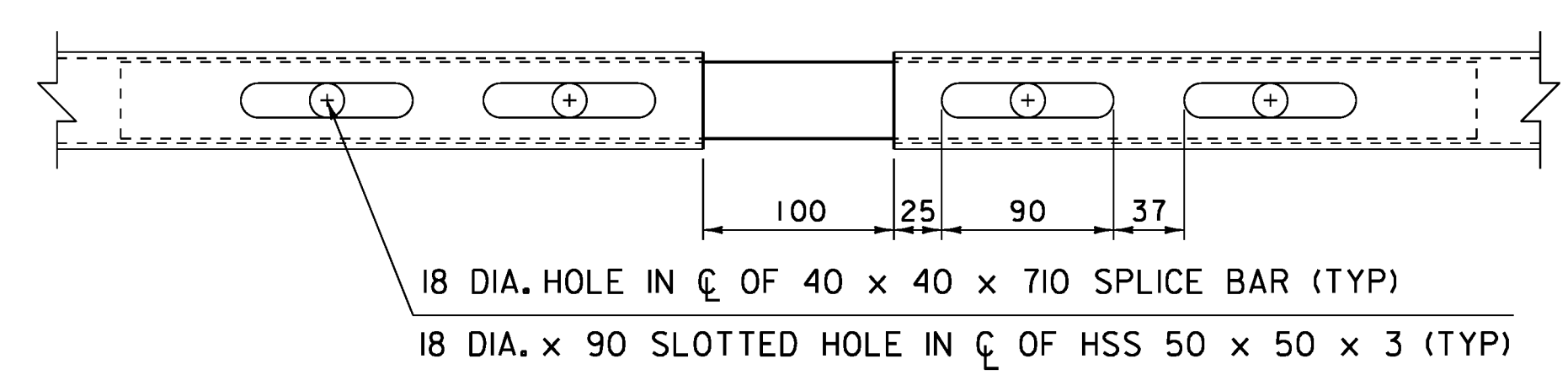
TOP RAIL EXPANSION JOINT ELEVATION DETAIL
NTS



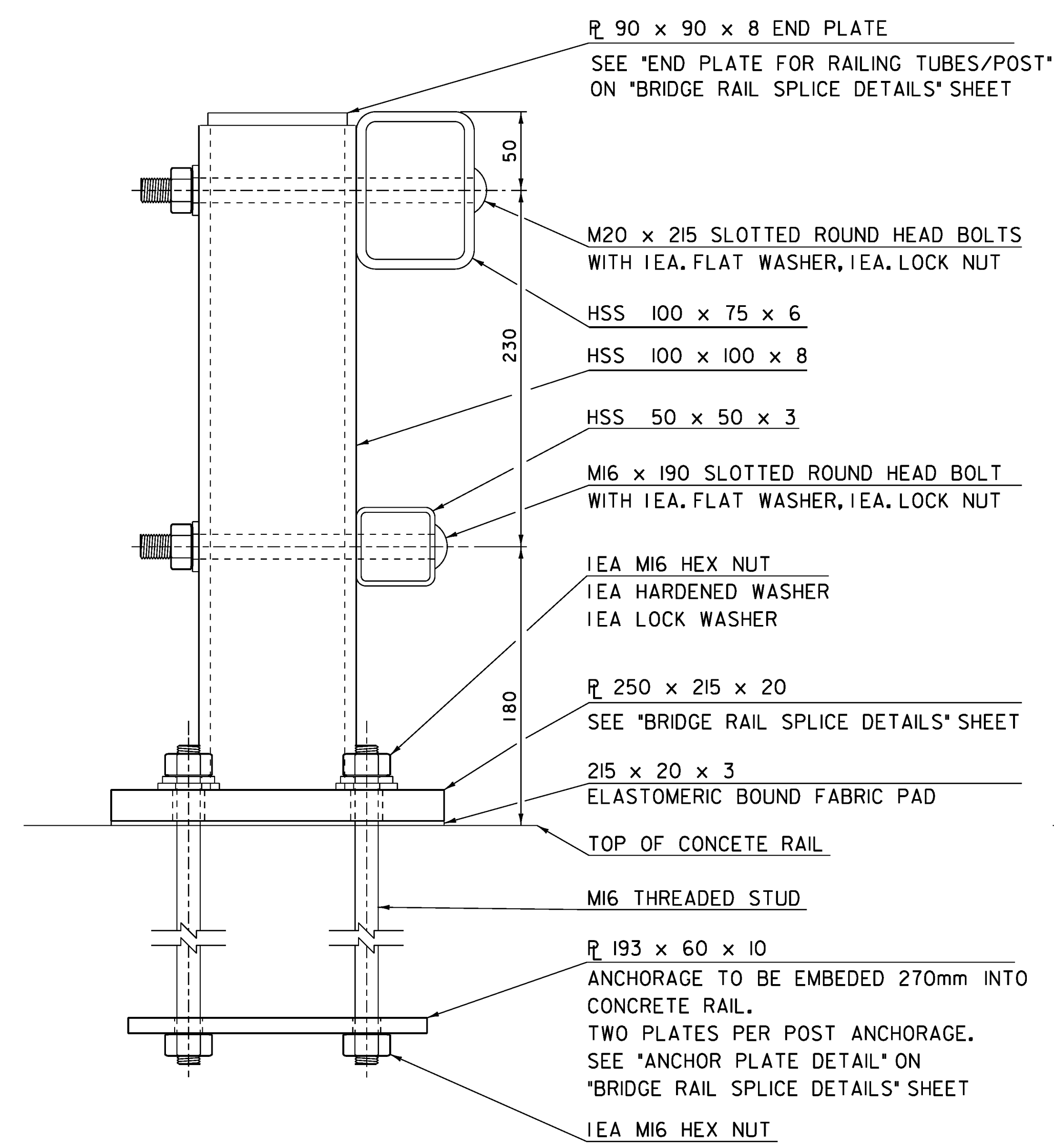
SECTION E-E
NTS



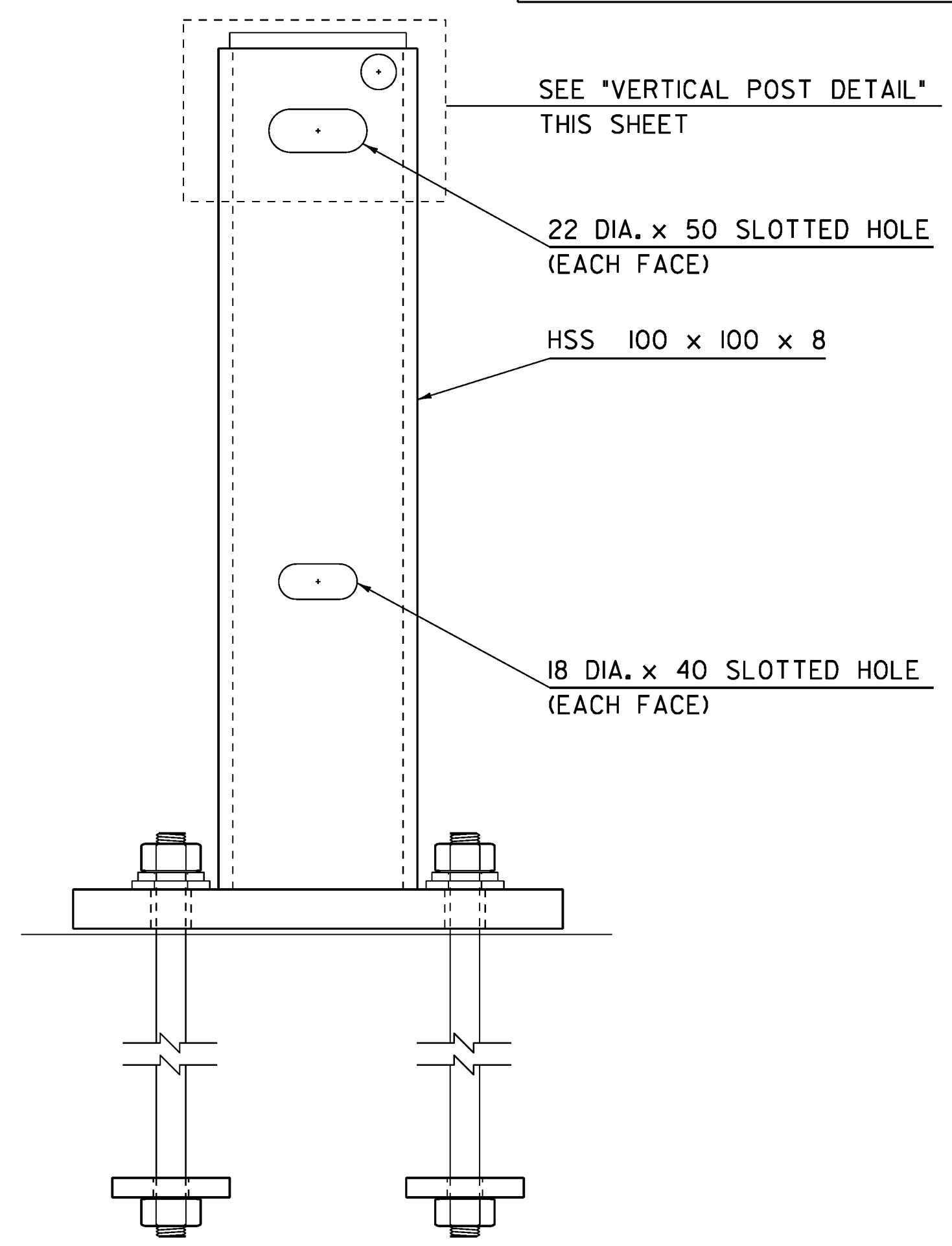
BOTTOM RAIL EXPANSION JOINT ELEVATION DETAIL
NTS



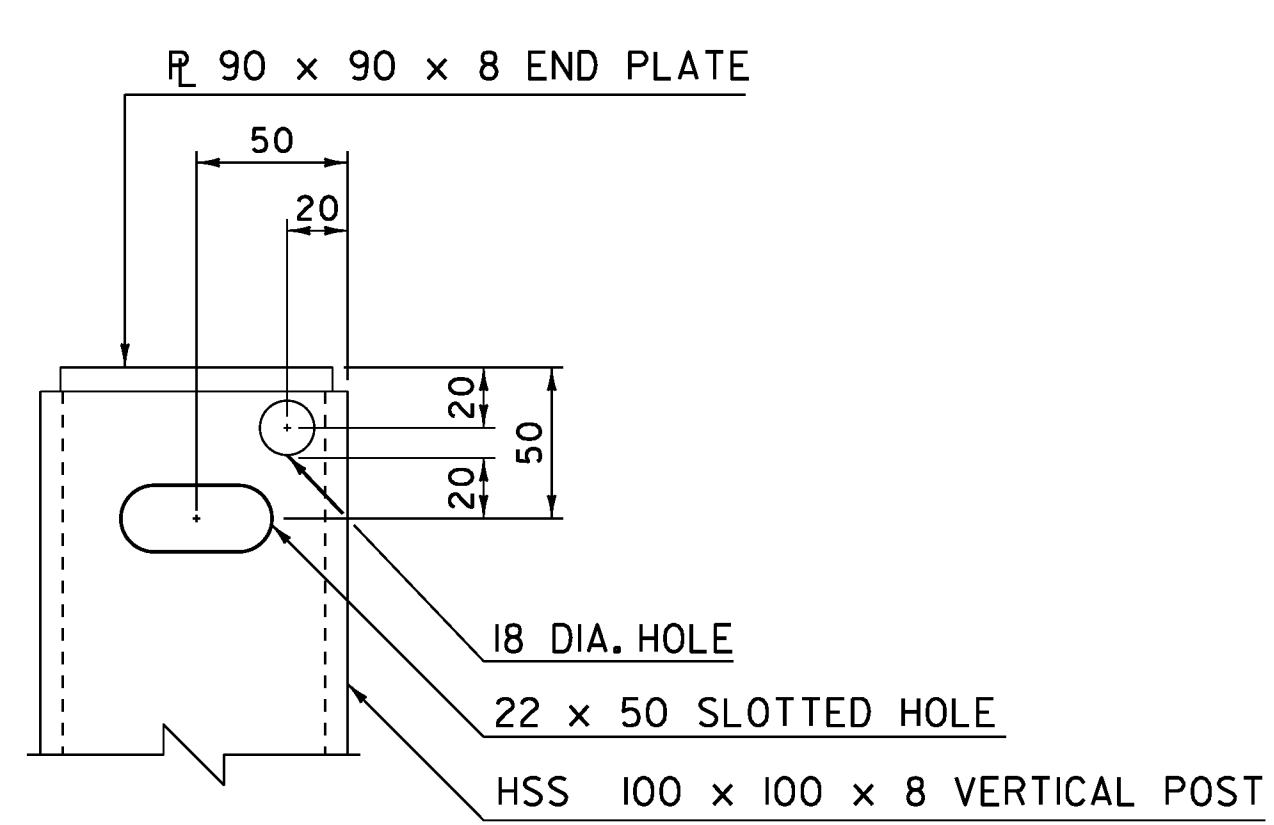
SECTION F-F
NTS



RAIL POST DETAIL
(SIDE VIEW)
NTS



RAIL POST DETAIL
(FRONT VIEW)
NTS



VERTICAL POST DETAIL
(FRONT VIEW)
NTS

PROJECT NAME:	READSBORO	PLOT DATE:	07-MAR-2012
PROJECT NUMBER:	BRF 0105 (3)	DRAWN BY:	G. ROKES
FILE NAME:	89J088/STR/s89J088sup.dgn	CHECKED BY:	W. PELLETIER
PROJECT LEADER:	J. LACROIX	SHEET	57 OF 90
DESIGNED BY:	W. PELLETIER		
BRIDGE RAIL EXPANSION JOINT DETAILS			