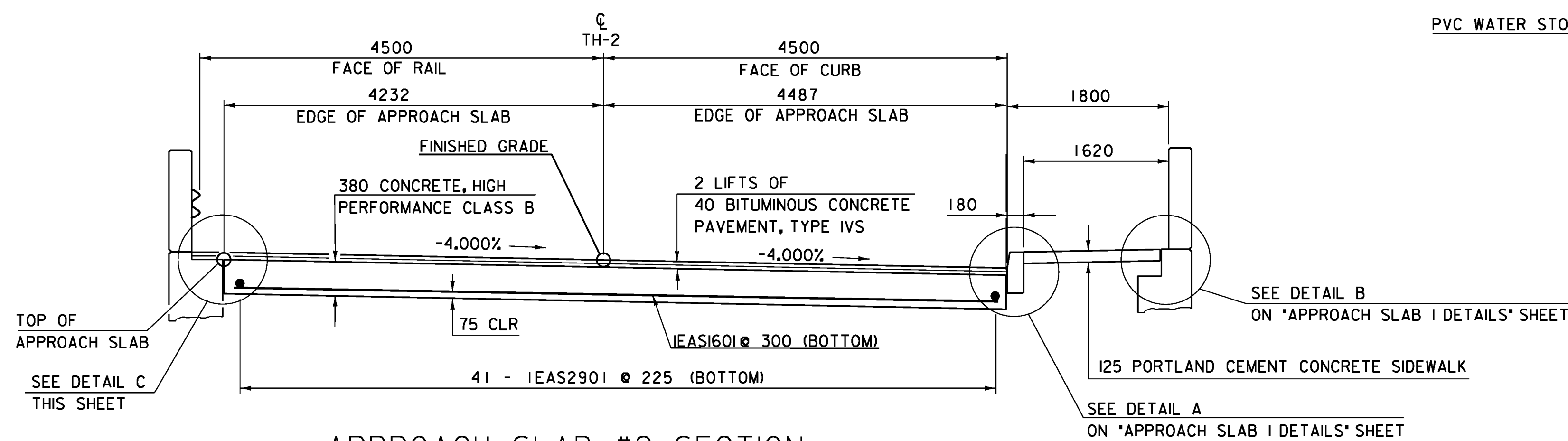


APPROACH SLAB #2



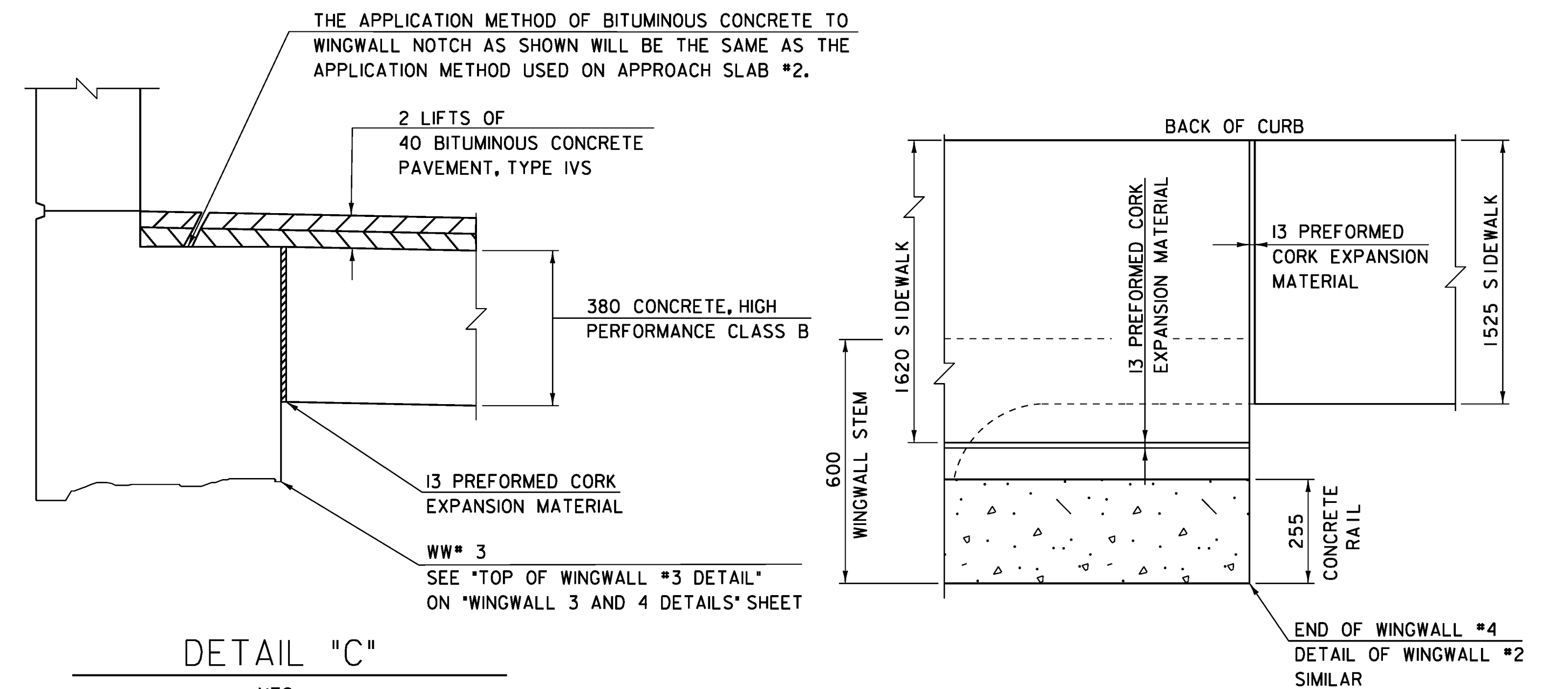
SCALE = 1:40



APPROACH SLAB #2 SECTION



SCALE = 1:40

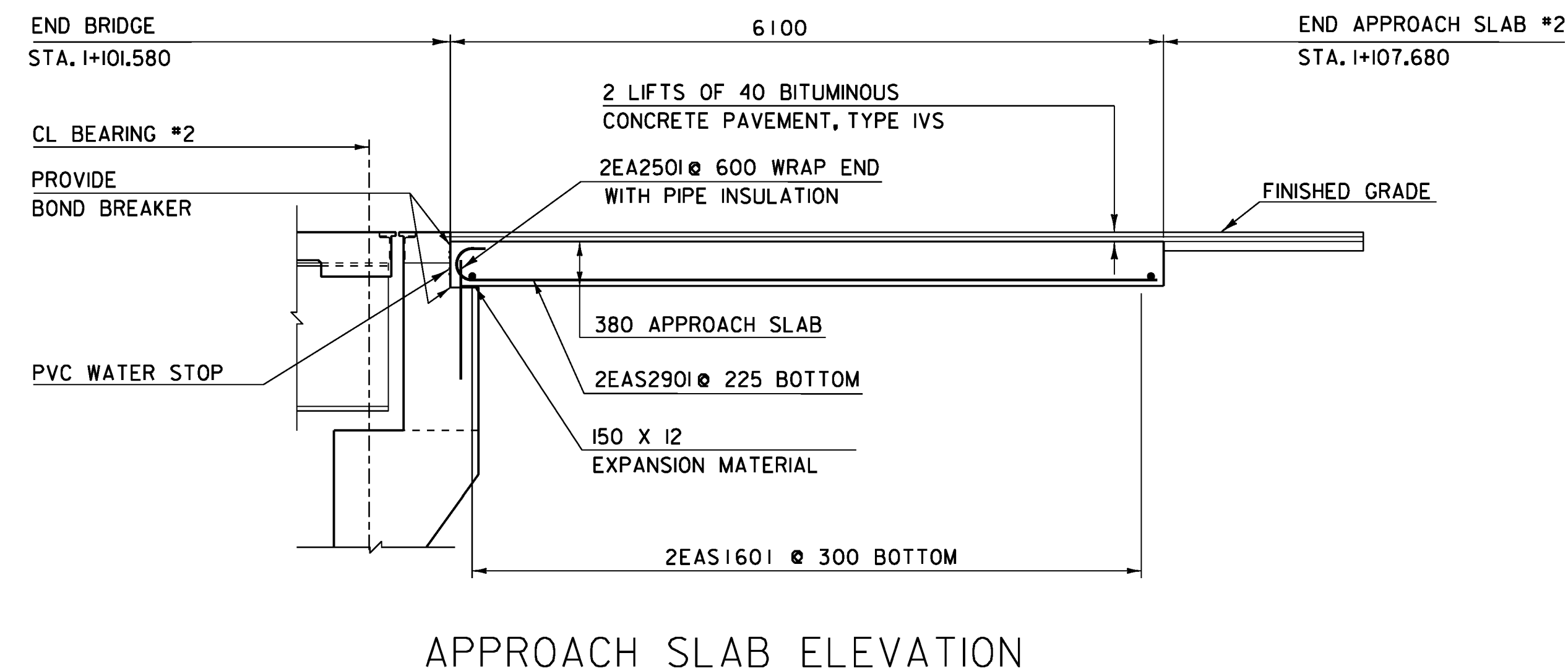


DETAIL "C"

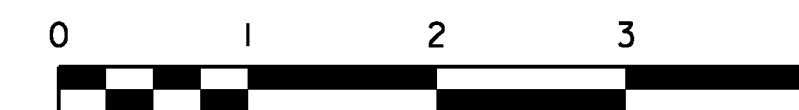
NTS

SIDEWALK WIDTH TRANSITION PLAN DETAIL

NTS



APPROACH SLAB ELEVATION



SCALE = 1:40

NOTE: FOR CURB TAPER ALONG APPROACH SLAB #2
 SEE "CURB TAPER" ON "APPROACH SLAB 1 DETAILS" SHEET

PROJECT NAME: READSBORO
 PROJECT NUMBER: BRF 0105 (3)

FILE NAME: 89J088/STR/s89J088sup.dgn
 PROJECT LEADER: J. LACROIX
 DESIGNED BY: W. PELLETIER
 APPROACH SLAB 2 DETAILS

PLOT DATE: 07-MAR-2012
 DRAWN BY: G. ROKES
 CHECKED BY: W. PELLETIER
 SHEET 56 OF 90