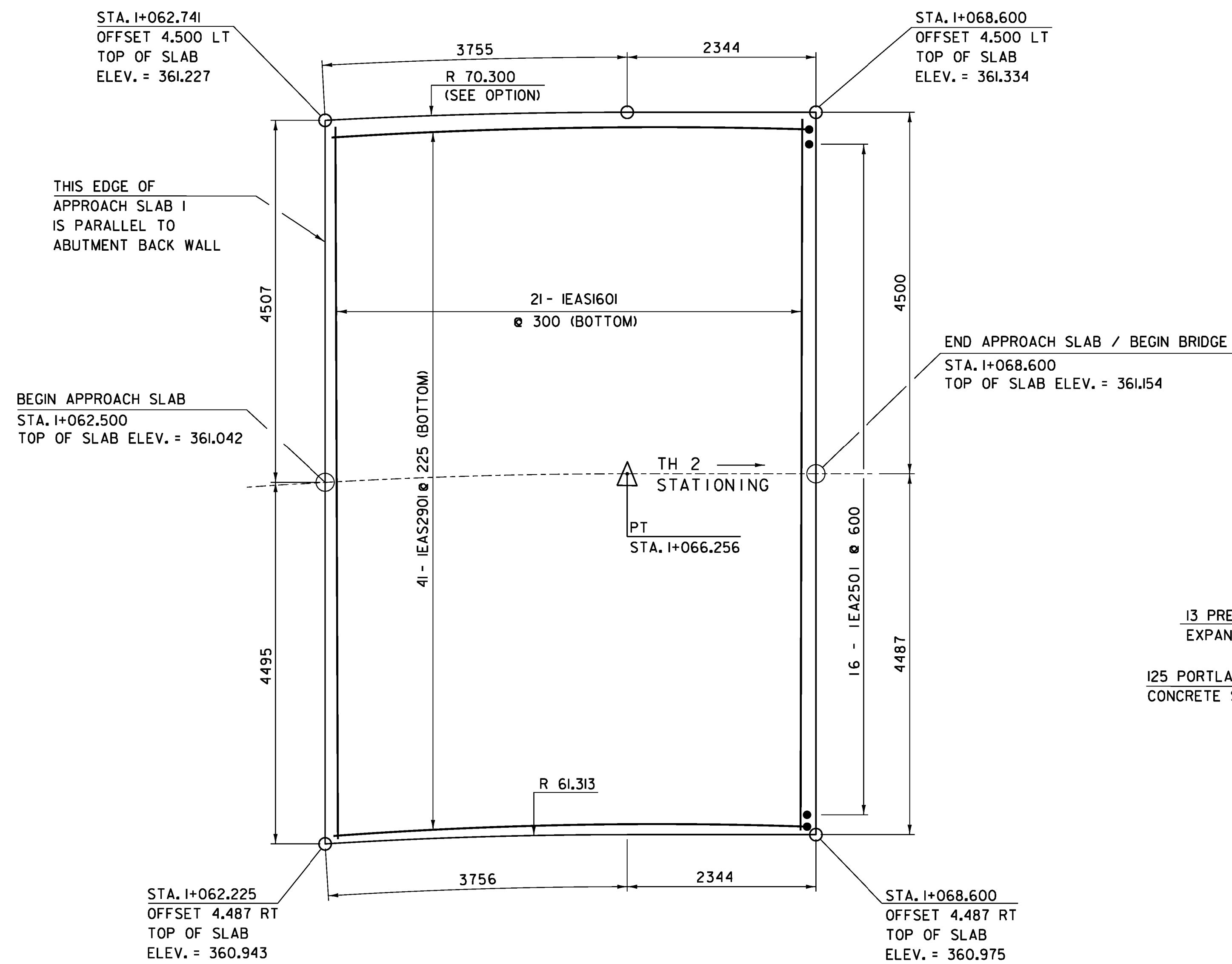
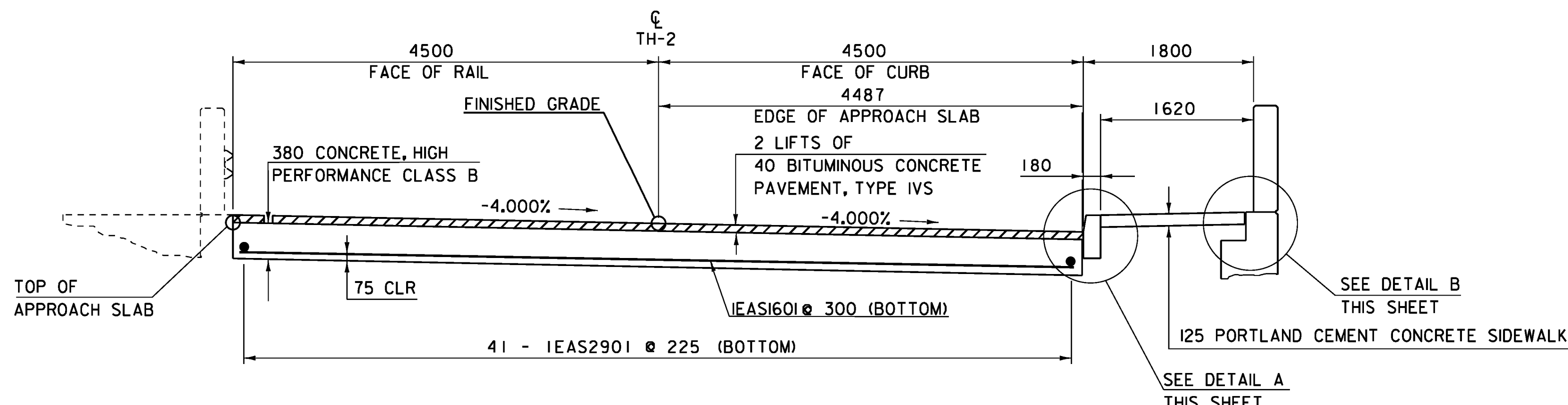


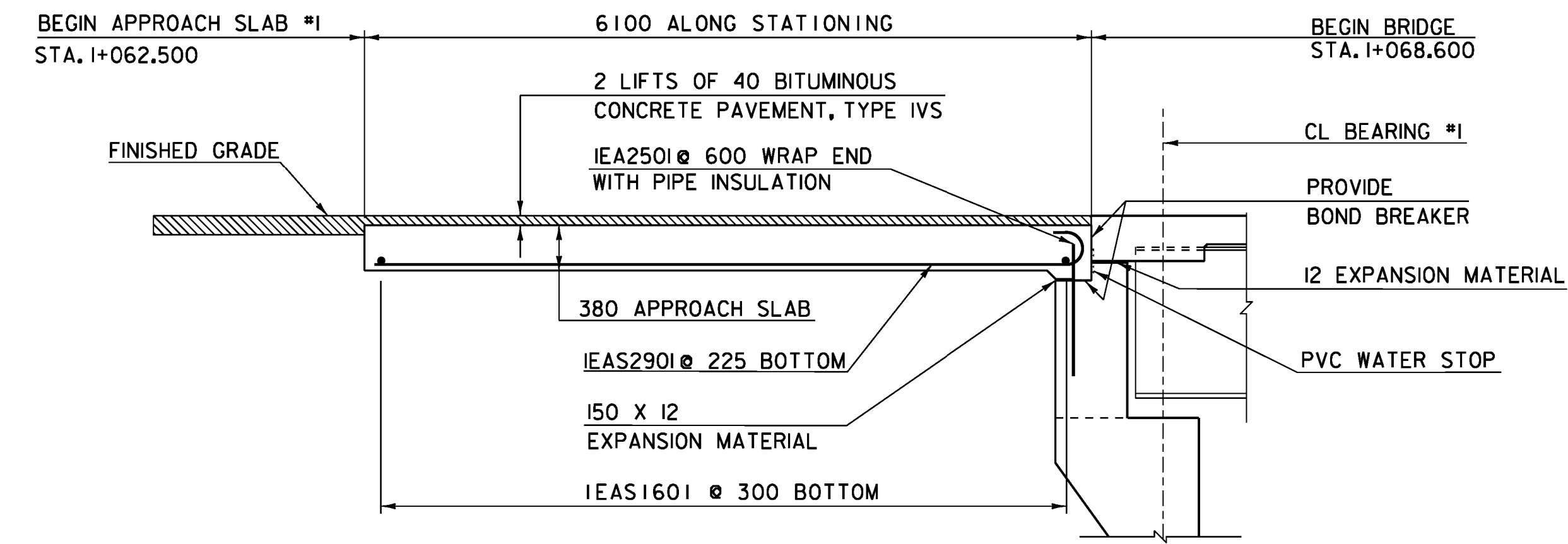
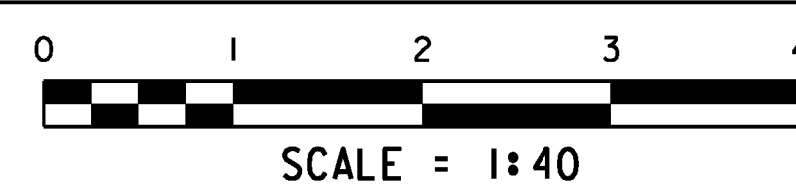
CONTRACTOR OPTION:
 APPROACH SLAB RADIUS MAY BE APPROXIMATED
 BY STRAIGHT LINE ON THIS SIDE. NO CHANGE TO
 CONCRETE QUANTITIES WILL BE ALLOWED.



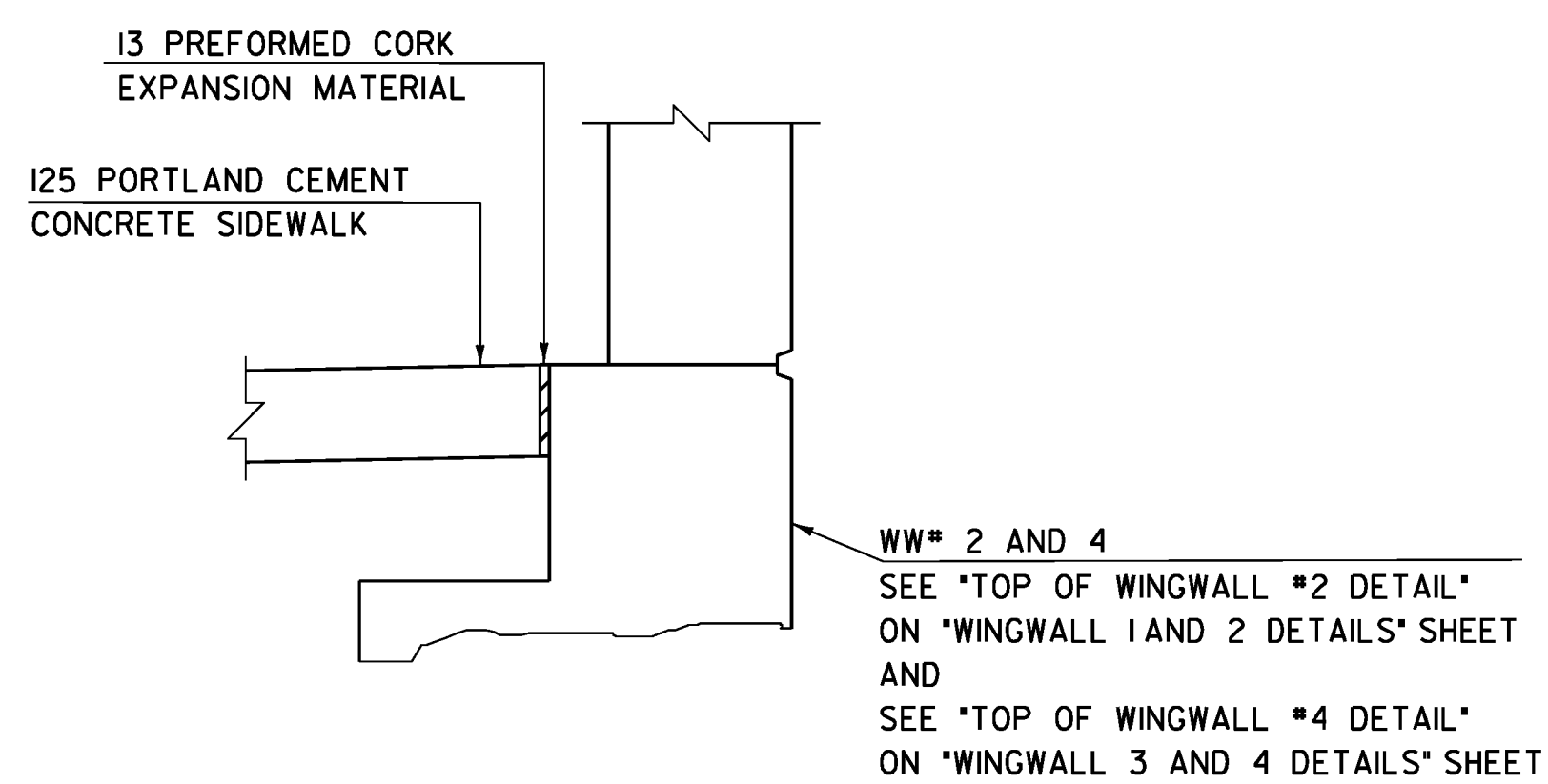
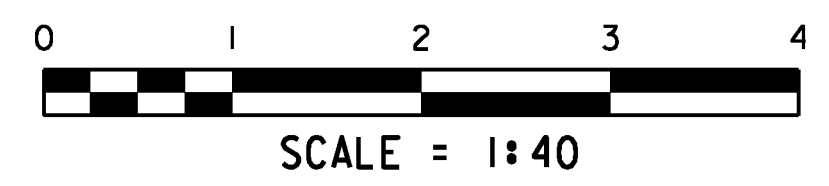
APPROACH SLAB #1



APPROACH SLAB #1 SECTION

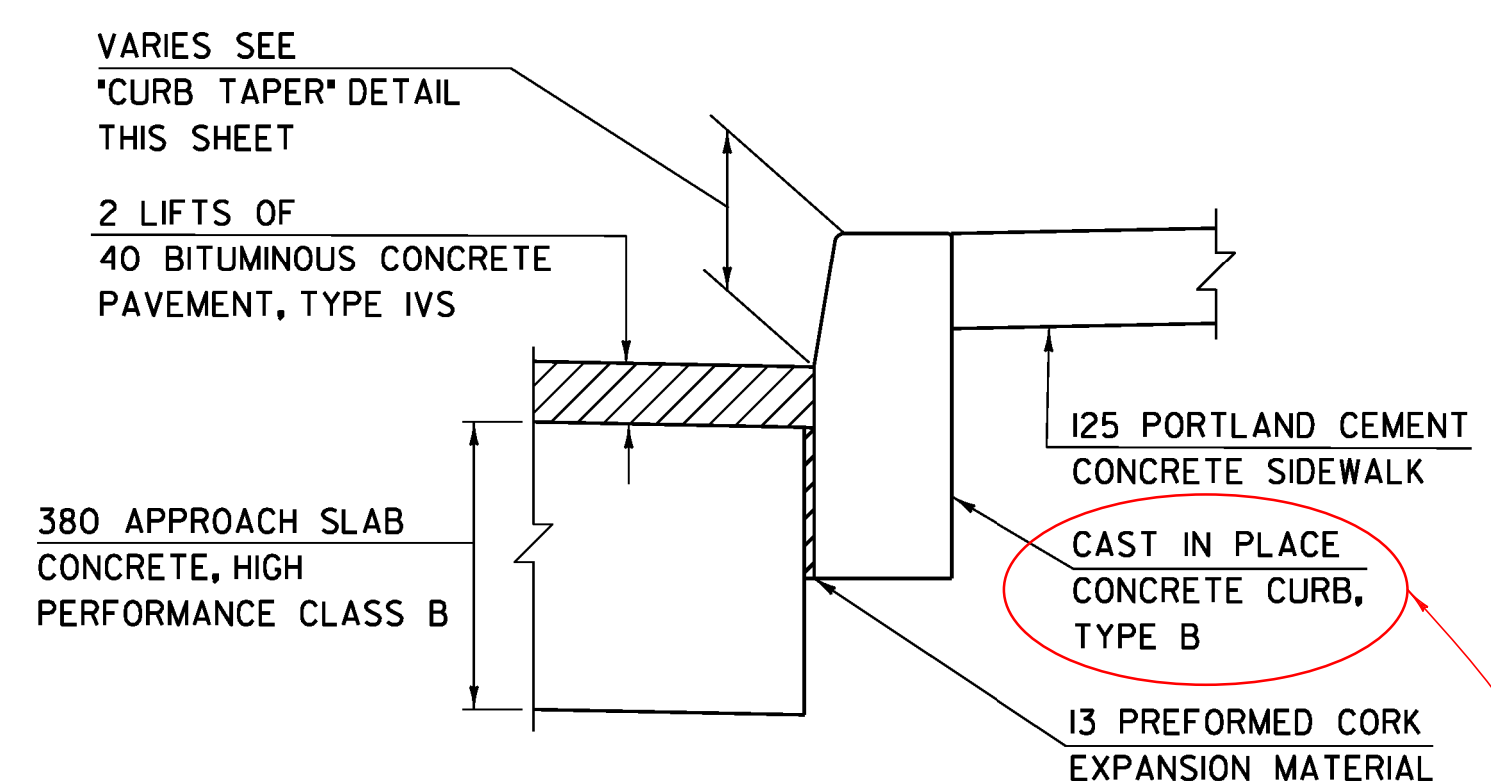


APPROACH SLAB ABUTMENT #1 ELEVATION



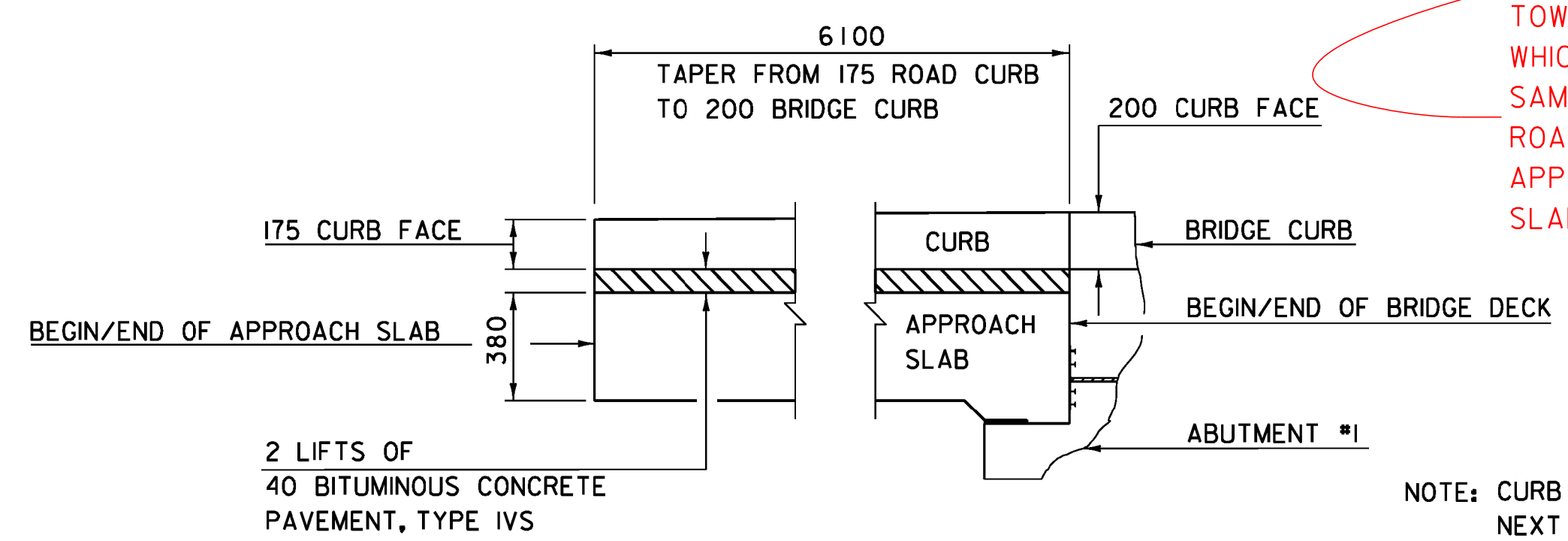
DETAIL "B"

NTS



DETAIL "A"

NTS



CURB TAPER

NTS

TOWN REQUESTED GRANITE CURB WHICH CONTRACTOR PLACED AT SAME PRICE. THIS WAS DONE IN ROADWAY. CURB NEXT TO APPROACH SLAB WAS POURED IN PLACE.

NOTE: CURB TAPER SHOWN HERE IS FOR AREA NEXT TO APPROACH SLAB #1, THE TAPER NEXT TO APPROACH SLAB #2 IS SIMILAR

PROJECT NAME: READSBORO	PLOT DATE: 07-MAR-2012
PROJECT NUMBER: BRF 0105 (3)	DRAWN BY: G. ROKES
FILE NAME: 89J088/STR/s89J088sup.dgn	CHECKED BY: W. PELLETIER
PROJECT LEADER: J. LACROIX	SHEET 55 OF 90
DESIGNED BY: W. PELLETIER	