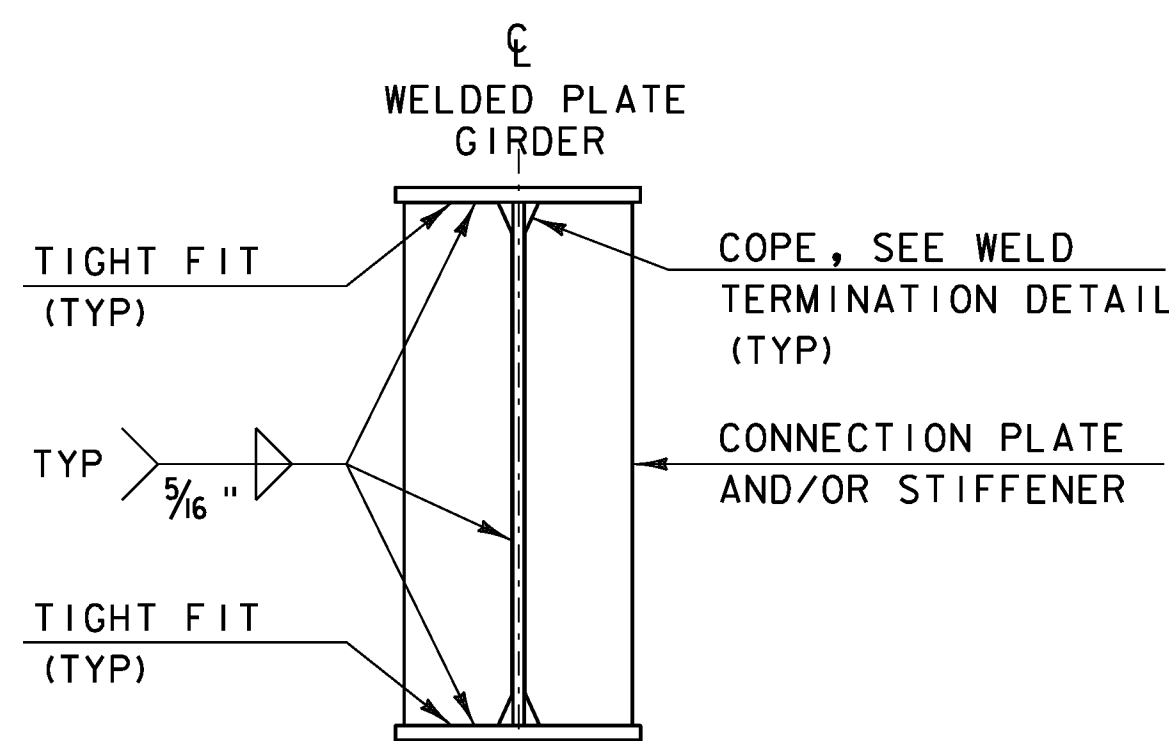


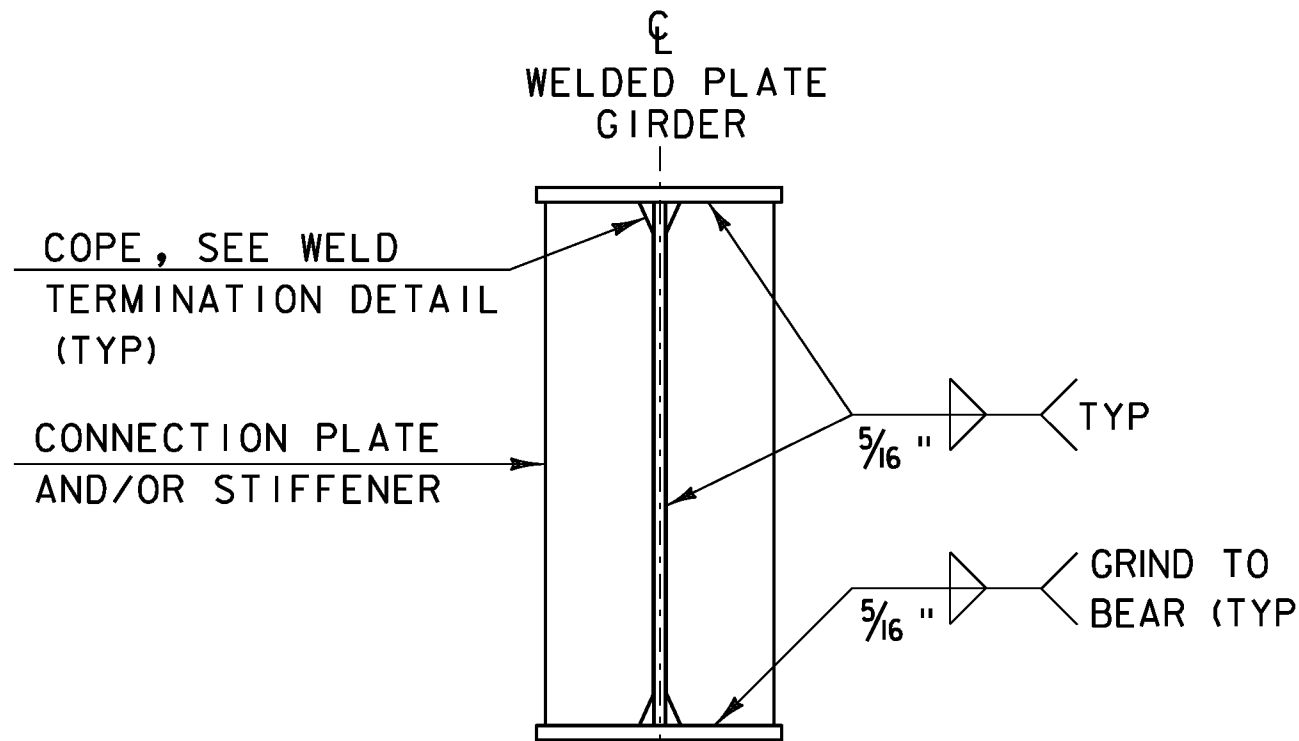
**WELD TERMINATION AND COPING
DETAILS FOR STEEL MEMBERS**

*NO WELD FOR 3/8" MIN. 7/8" MAX. (EXCEPT MUST MAINTAIN 1" MINIMUM FROM EDGE OF FLANGE)

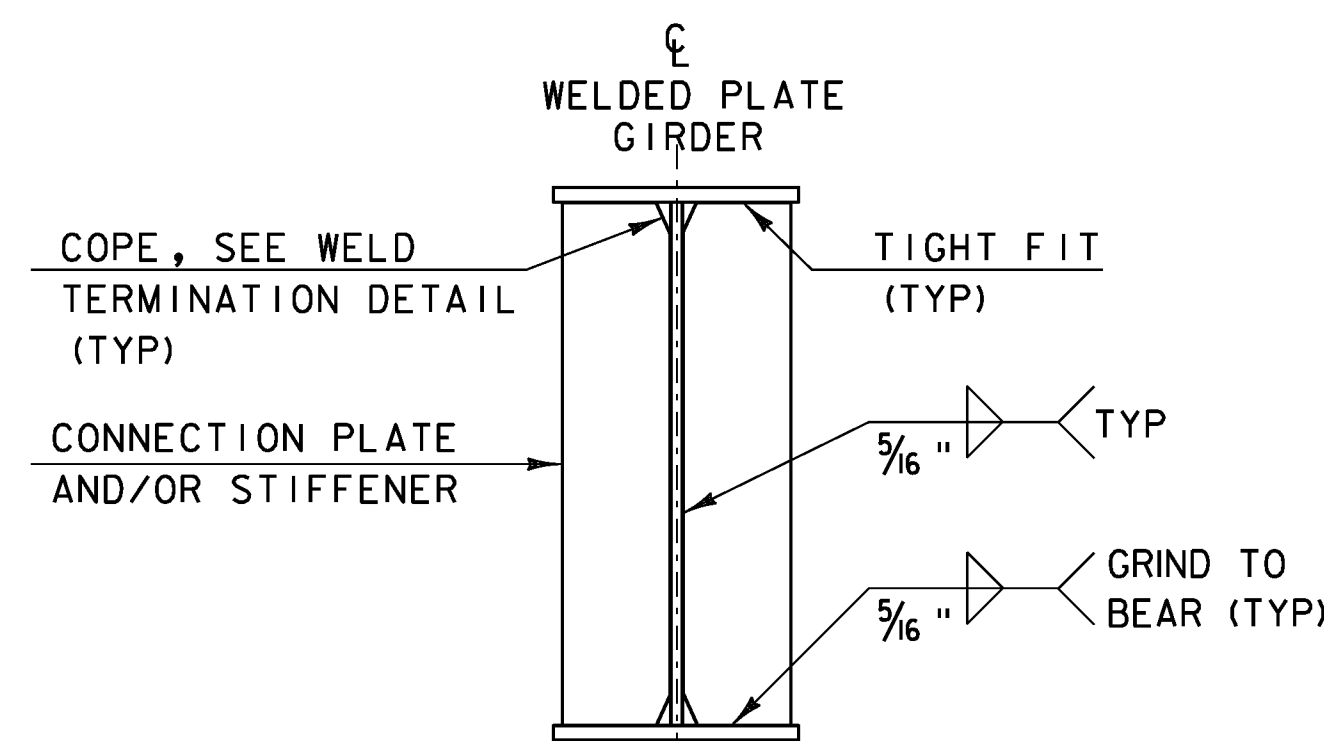


**INTERMEDIATE CONNECTION PLATES
AND/OR STIFFENERS FOR WELDED
PLATE GIRDERS**

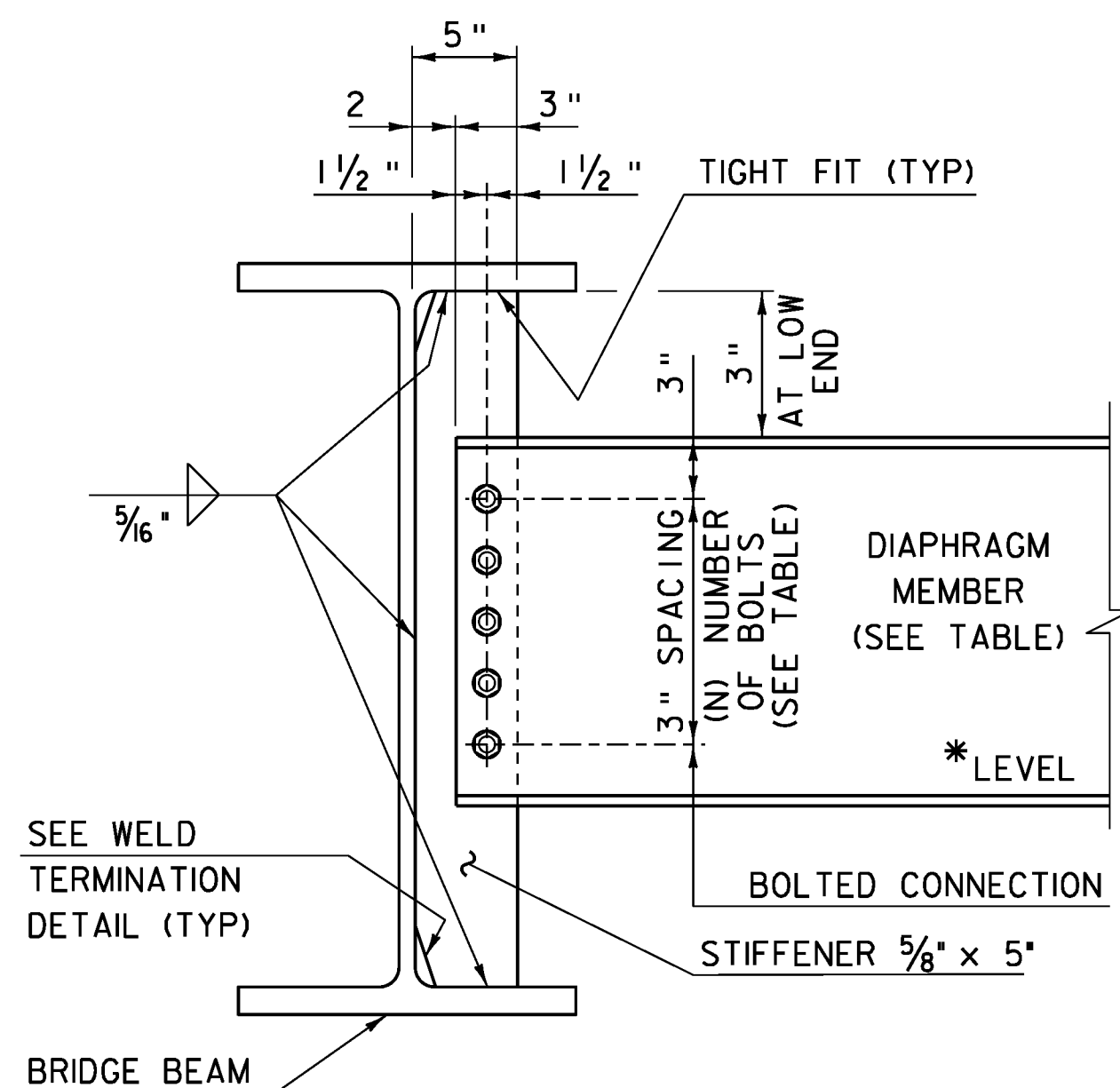
INTERMEDIATE DETAIL IS ONLY USED WHEN PLATE DOES NOT OCCUR AT AN ABUTMENT OR PIER.



**ABUTMENT BEARING STIFFENERS
AND/OR CONNECTION PLATES
FOR WELDED PLATE GIRDERS**



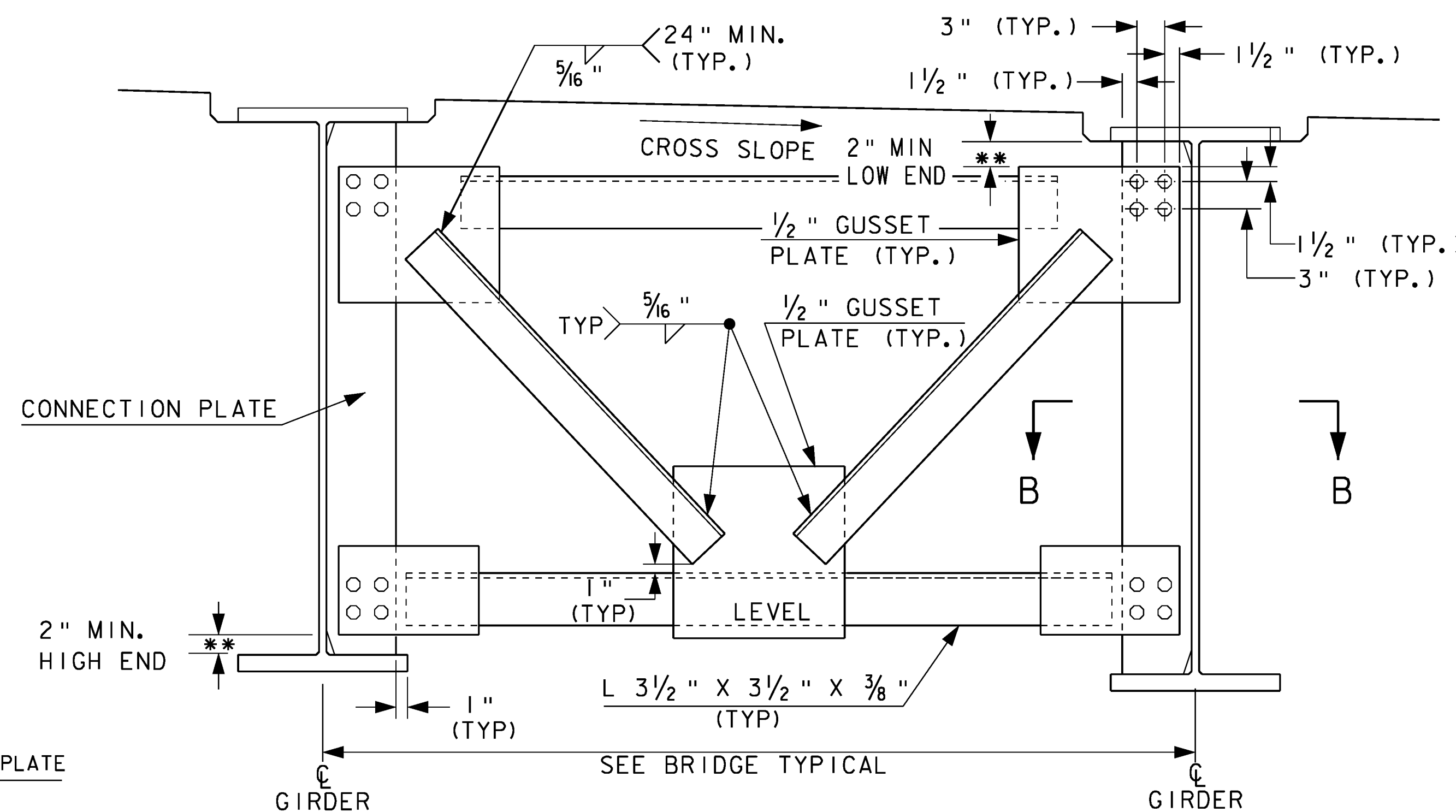
**PIER BEARING STIFFENERS
AND/OR CONNECTION PLATES
FOR WELDED PLATE GIRDERS**



**END DIAPHRAGMS
FOR 24" TO 48" BRIDGE BEAMS**

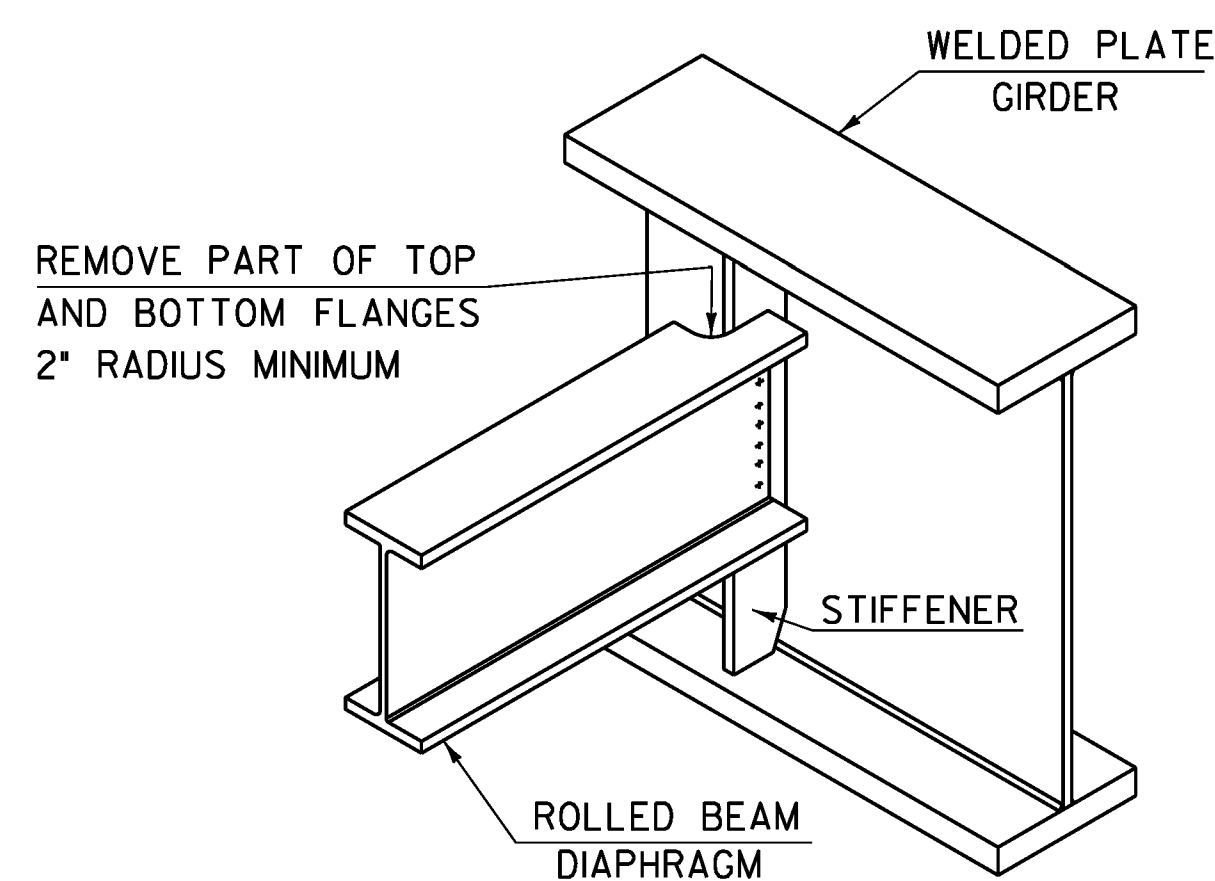
* IF CLEARANCE CANNOT BE MET, DIAPHRAGM MAY BE SLOPED.

DEPTH	DIAPHRAGM MEMBER	(N) BOLTS
ROLLED BEAM		
24"	C15x33.9	4
30"		
31"	MC18x42.7	5
36"		
37"	W21x44	6
42"		
PLATE GIRDER WEB		
31"	W27x84	7
36"		
37"	W33x118	9
42"		
43"	W36x135	10
48"		



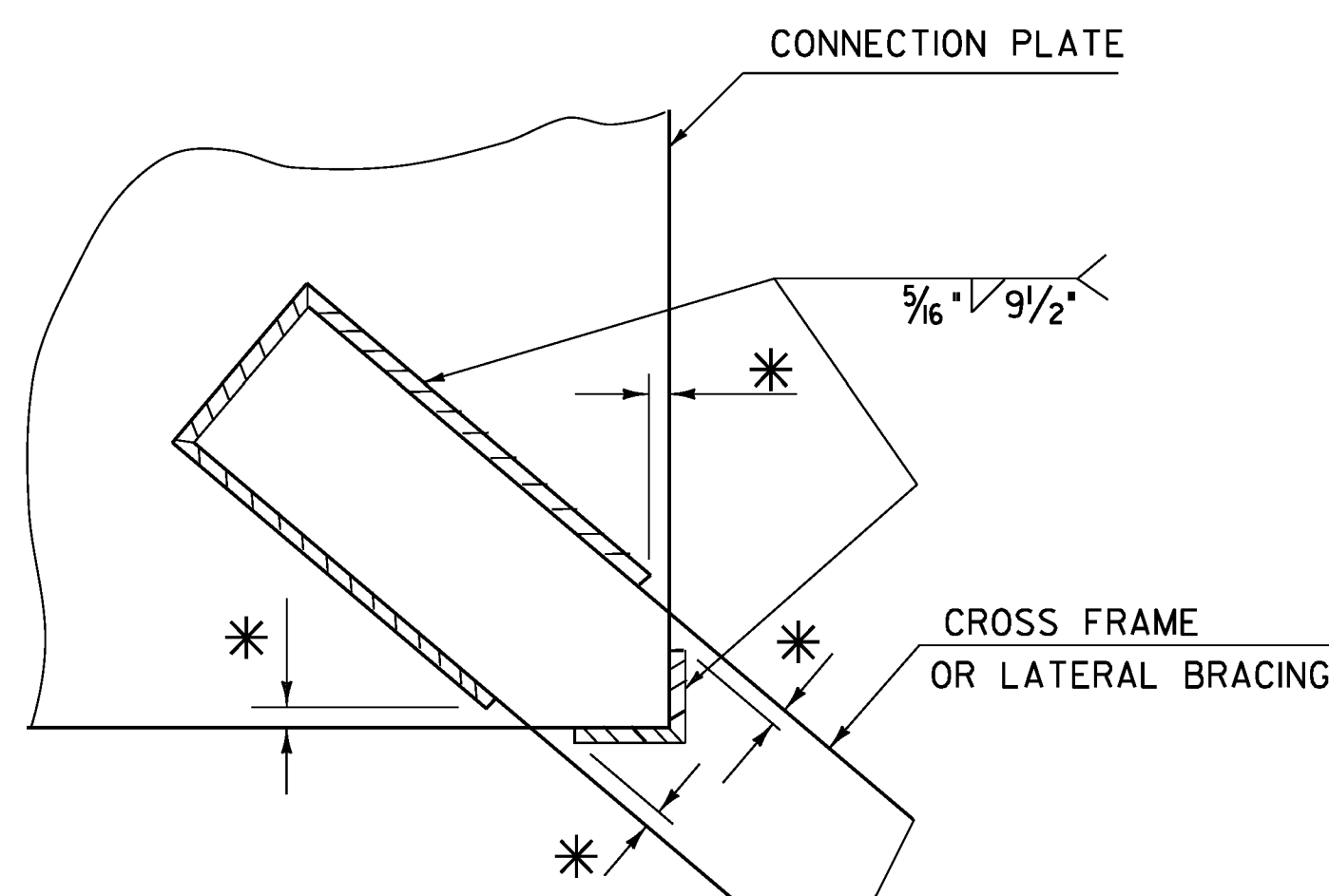
INTERMEDIATE CROSS FRAME

**SHALL BE EQUAL (2" MIN)



ROLLED BEAM USED AS DIAPHRAGM

SEE CONTRACT DRAWINGS FOR SIZES OF MEMBERS AND CONNECTION DETAILS



**WELD LOCATION DETAIL AT CROSS
FRAMES AND LATERAL BRACING**

* NO WELD FOR 1/4" MIN., 1/2" MAX.

PROJECT NAME: READSBORO	PLOT DATE: 07-MAR-2012
PROJECT NUMBER: BRF 0105 (3)	DRAWN BY: G. ROKES
FILE NAME: 89J088/STR/sj088fram.dgn	CHECKED BY: W. PELLETIER
PROJECT LEADER: J. LACROIX	END DIAPHRAGM AND INTERMEDIATE DETAILS SHEET 44 OF 90
DESIGNED BY: W. PELLETIER	