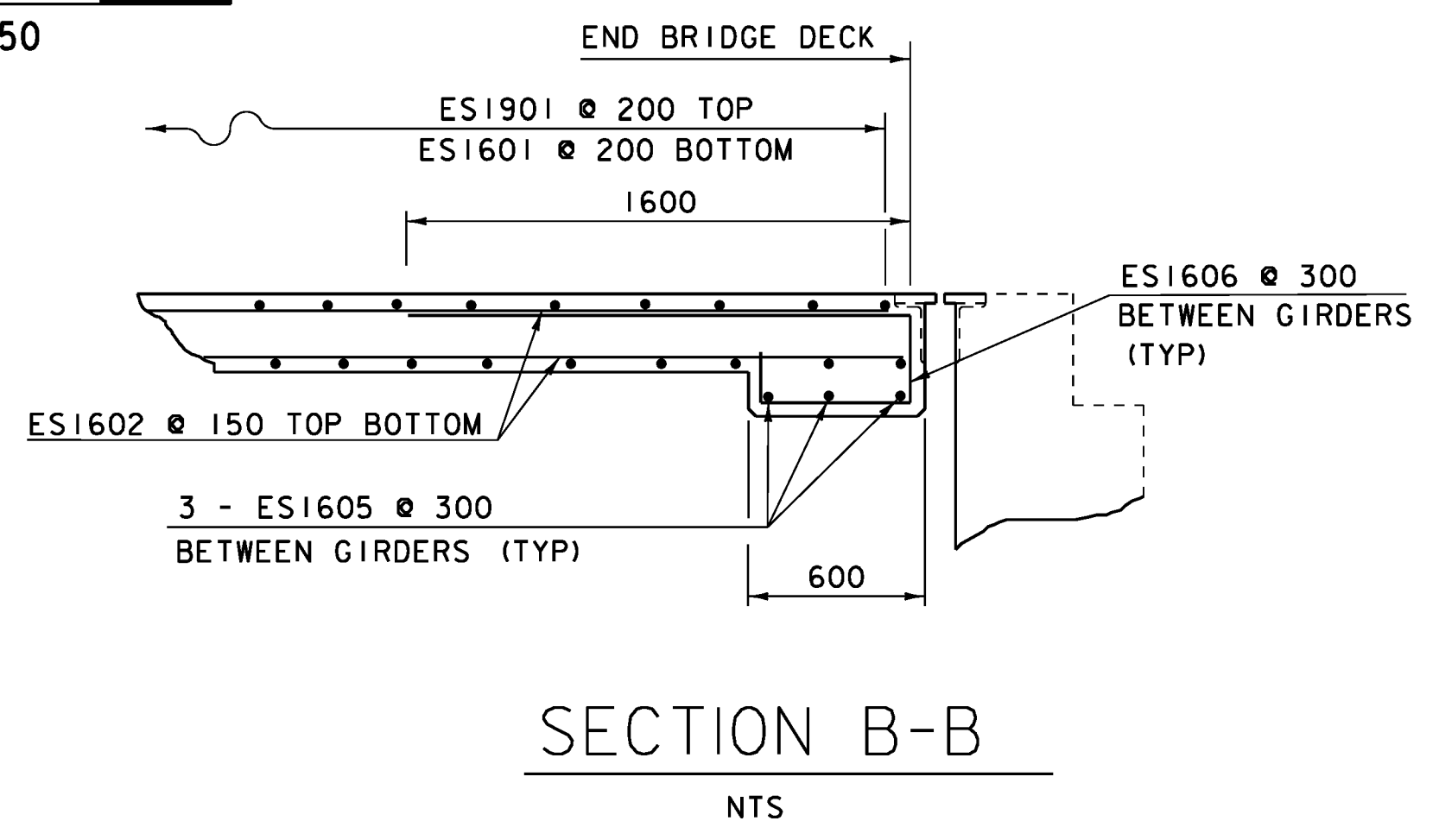
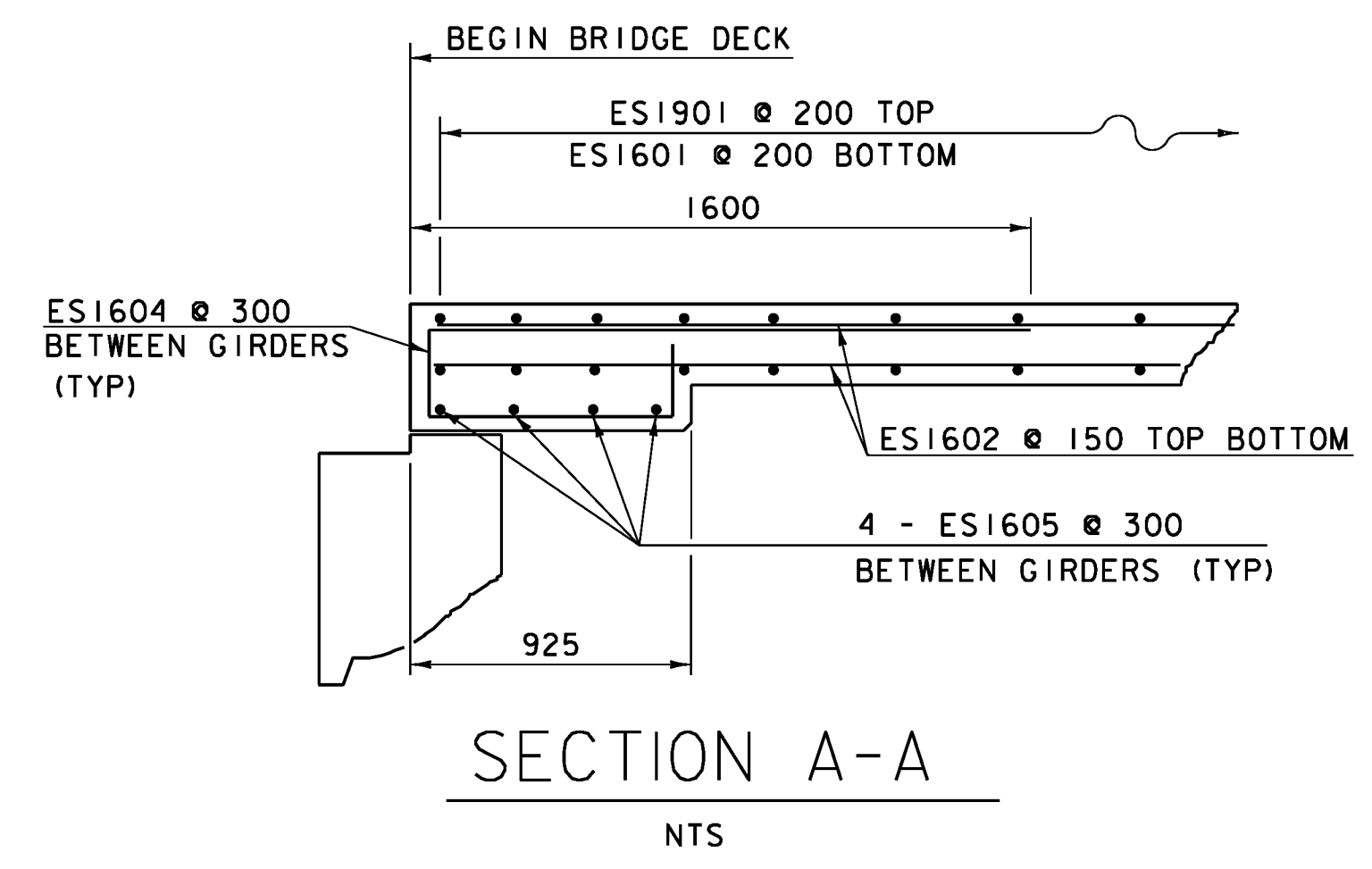
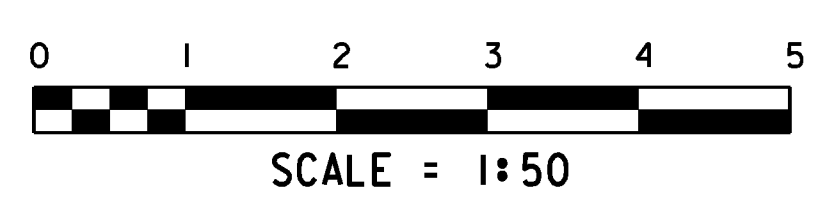


DECK REINFORCING PLAN



PROJECT NAME:	READSBORO	FILE NAME:	89J088/STR/s89J088sup.dgn	PLOT DATE:	07-MAR-2012
PROJECT NUMBER:	BRF 0105 (3)	PROJECT LEADER:	J. LACROIX	DRAWN BY:	G. ROKES
		DESIGNED BY:	W. PELLETIER	CHECKED BY:	W. PELLETIER
		DECK REINFORCING LAYOUT SHEET		SHEET	42 OF 90