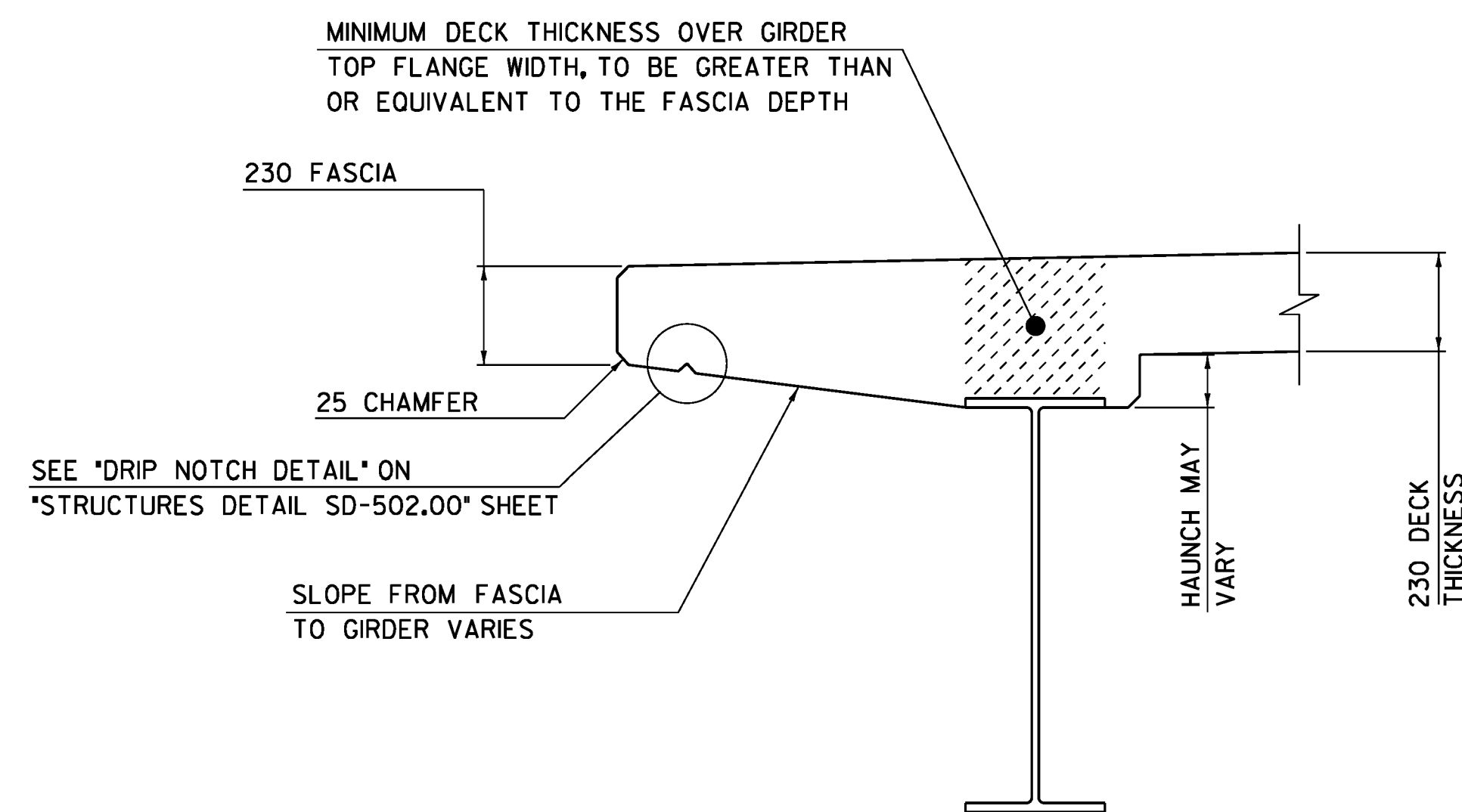
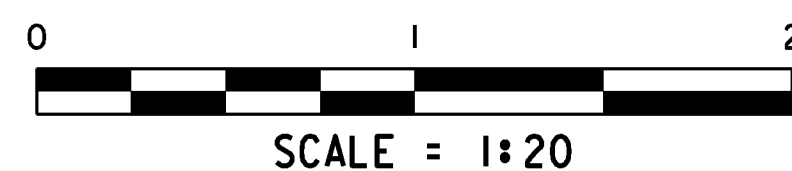


TYPICAL BRIDGE DECK SECTION



FASCIA DETAIL

NTS

PROJECT NAME:	READSBORO	PLOT DATE:	07-MAR-2012
PROJECT NUMBER:	BRF 0105 (3)	DRAWN BY:	G. ROKES
FILE NAME:	89J088/STR/s89J088sup.dgn	CHECKED BY:	W. PELLETIER
PROJECT LEADER:	J. LACROIX	SHEET	41 OF 90
DESIGNED BY:	W. PELLETIER		
BRIDGE TYPICAL			