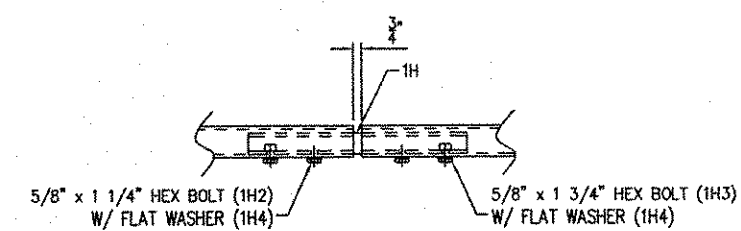
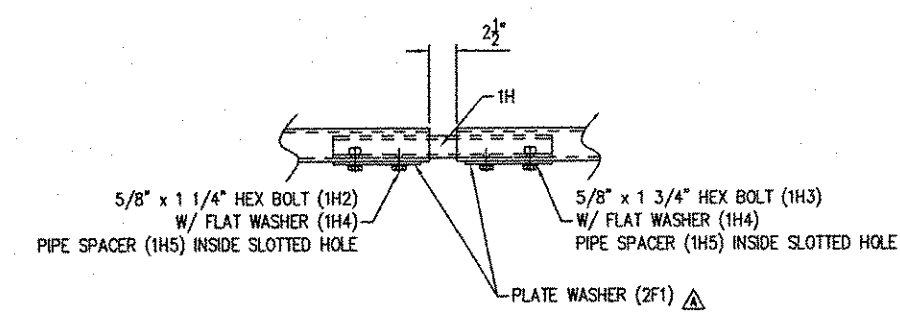


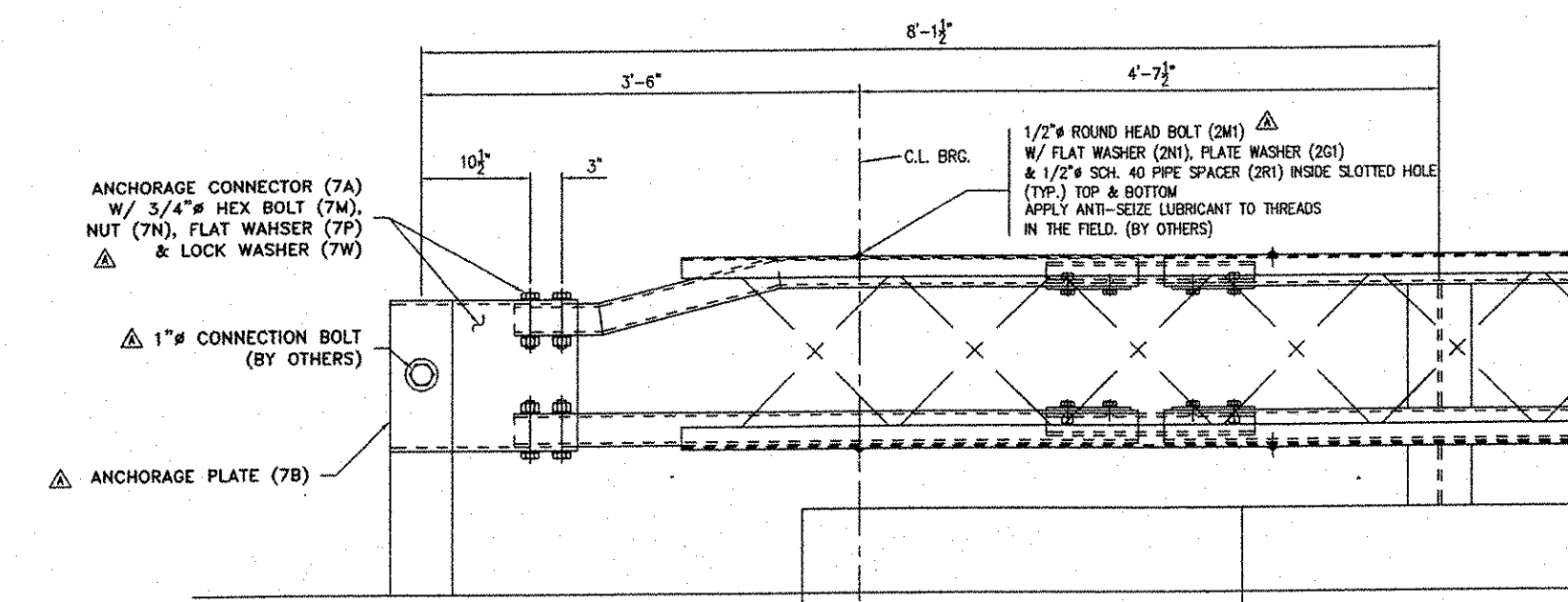
TYP. SECTION @ RAIL POST



TYP. SPLICE DETAIL

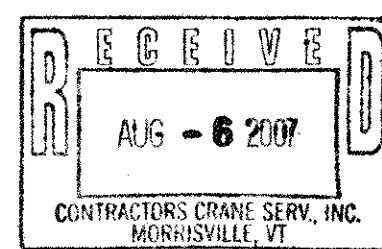


TYP. EXPANSION SPLICE DETAIL



TYP. ELEVATION @ END OF BRIDGE

RECEIVED
 CK'D BY ELK CK'D BY RSY
 AUG 07 2007
 RESUBMIT _____ APPROVED _____
 BY CPW DATE 8/17/07



CCS Constructors LLC
 138 Munson Avenue
 Morrisville, VT 05661
 Ph: 802-888-7701 f: 802-888-4746

THE S.S. BROWN COMPANY 300 E. DUNDY STREET MORRISVILLE, VT 05661 TEL: 802-888-7701 FAX: 802-888-4746 WWW.SSBROWN.COM		LOCATION - TOWNS OF NEW HAVEN & NEWBRIIDGE BRIDGE - 28 PROJECT - ROUTE NO. 107/11, CL3 F.A.P. NO. - 040-010 2006(1) P.O. NO. - DESIGNER - VERMONT DEPARTMENT OF TRANSPORTATION CUSTOMER - CONTRACTORS CRANE SERVICE, LLC	
DATE 20388	SHEET NO. 1206	TOTAL SHEETS 1	DATE 8/17/07

090-BR