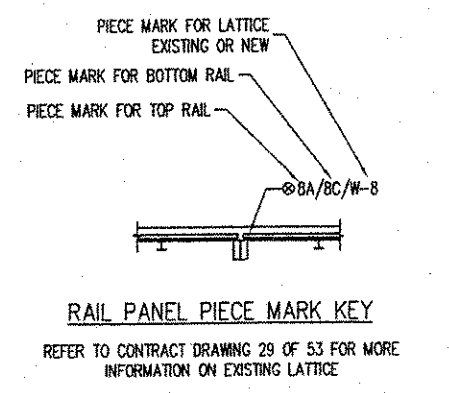
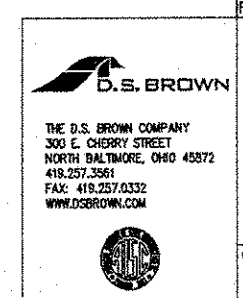


PLAN VIEW
DIMENSIONS SHOWN ARE TYPICAL FOR BOTH SIDES OF BRIDGE



RECEIVED
OK'D BY ELK OK'D BY RJA
AUG 07 2007
RESUBMIT APPROVED
BY CPW DATE 8/17/07

- SEE SHEET NO. E2 FOR TYPICAL DETAILS & SECTIONS



DATE	BY	DESCRIPTION	ITEM	QUANTITY
7/20/07	ELK	152		
		LOCATION - TOWN OF NEW HAVEN & NEW BRIDGE		
		BRIDGE - 26		
		PROJECT - ROUTE NO. 107/11, DL3		
		F.A.P. NO. - BRD-17N 2005(1)		
		P.O. NO. -		
		DESIGNER - VERMONT DEPARTMENT OF TRANSPORTATION		
		CUSTOMER - CONTRACTORS CRANE SERVICE LLC		

SHIP NOTE -
⊙ - INDICATES LOCATION OF SHIPPING PIECE MARK

084-132