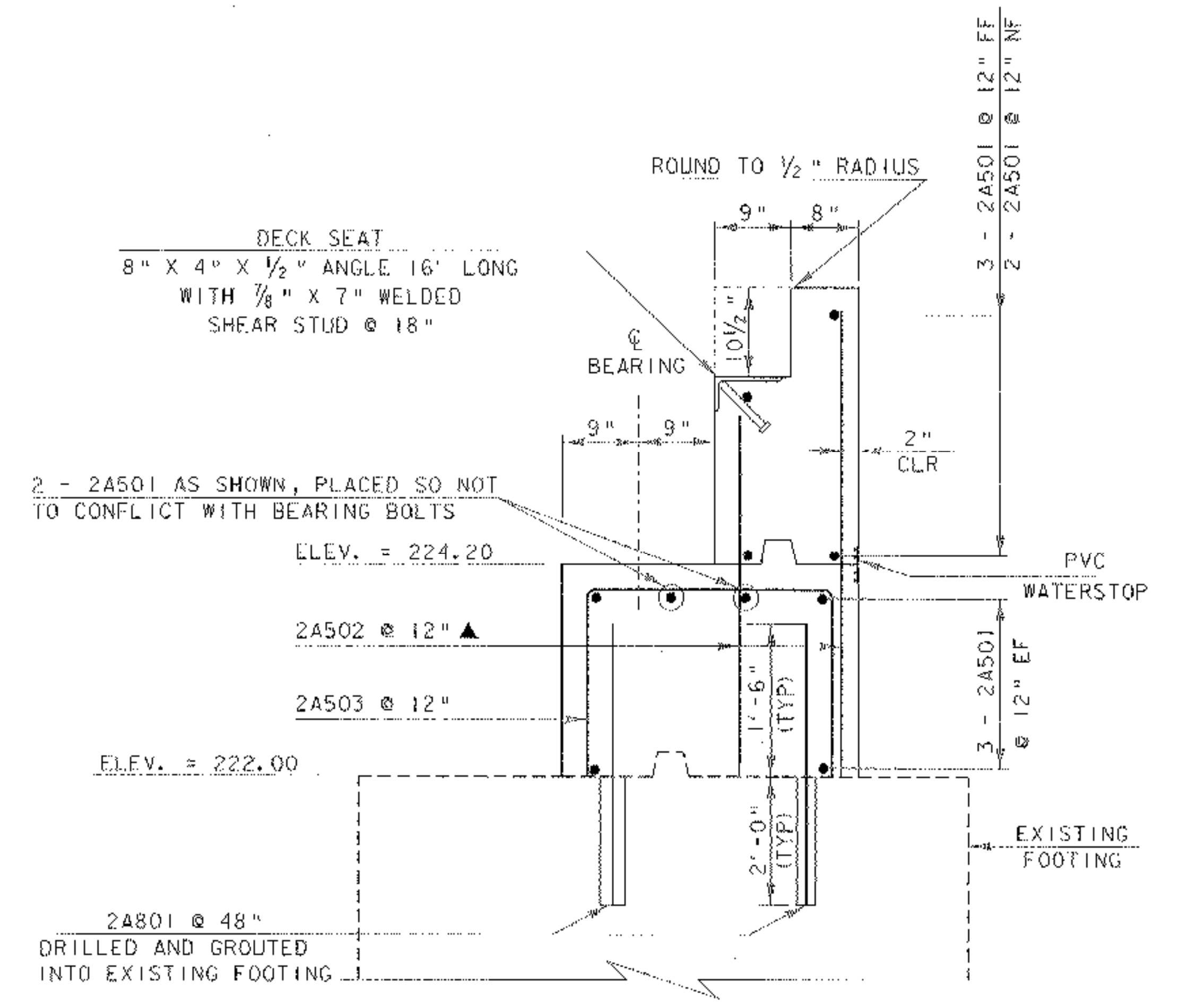


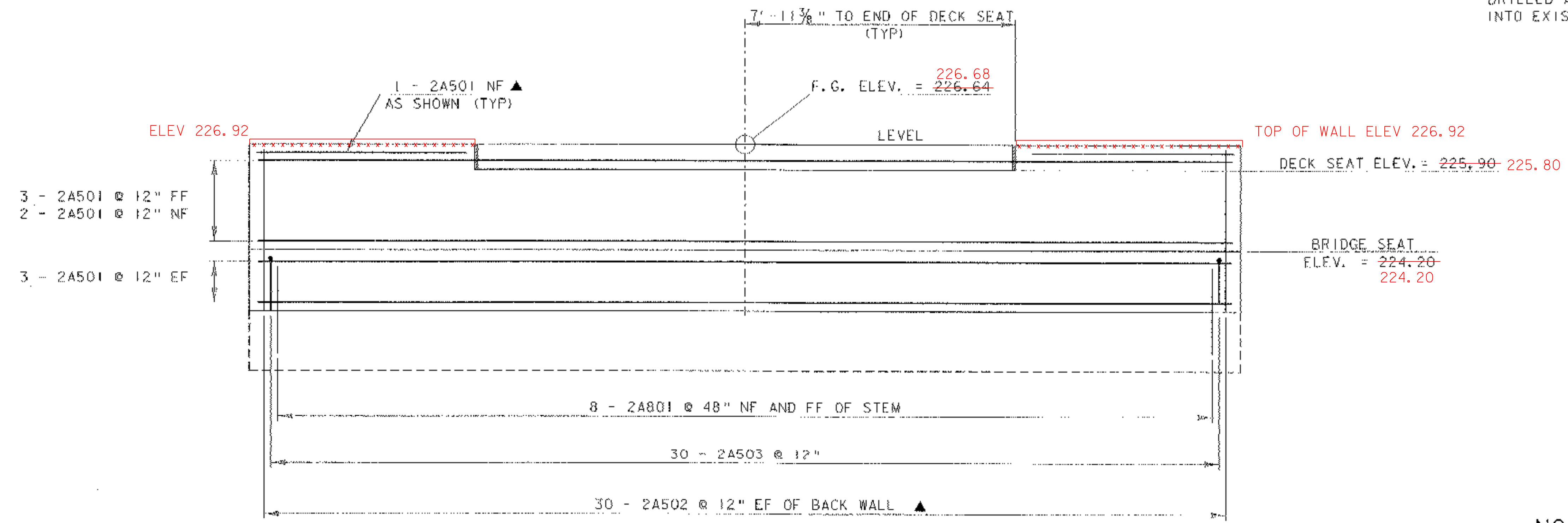
ABUTMENT 2 PLAN

SCALE 1/2" = 1'-0"
 0 1 2



ABUTMENT 2 TYPICAL SECTION

SCALE 1" = 1'-0"
 0 1 2



ABUTMENT 2 ELEVATION

SCALE 1/2" = 1'-0"
 0 1 2

NOTES:

1. TRUSS SHALL BE PLACED ON NEW BEARINGS IN ITS FINAL POSITION BEFORE BACKWALL IS POURED.
2. REMOVE EXISTING ABUTMENT DOWN TO TOP OF THE EXISTING FOOTING AS SHOWN.

NOTE:

NF = NEAR FACE
 FF = FAR FACE
 EF = EACH FACE
 ▲ = CUT TO FIT IN FIELD
 3" CLR. UNLESS OTHERWISE SPECIFIED ON THE PLANS.

PROJECT: NEW HAVEN-WEYBRIDGE	PROJECT NO. # BHQ-BTN 2005 (1)
DESIGN FILE NAME: 89J081/structures/sj081sub.dgn	PLOT DATE: 28-FEB-2007
IPARM FILE NAME: sj081ab2.i	DRAWN BY: R. S. YOUNG
DESIGNED BY: R. S. YOUNG	CHECKED BY: R. S. YOUNG
SQUAD LEADER: C. P. WILLIAMS	SHEET: 27 OF 53
ABUTMENT 2 DETAILS	