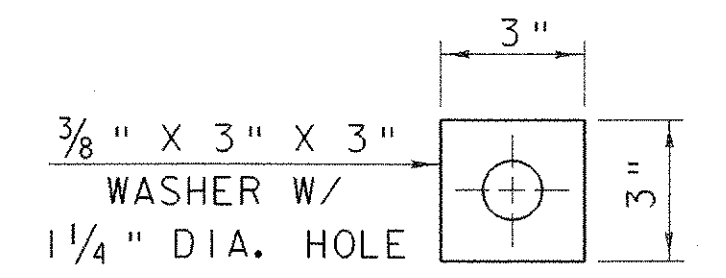
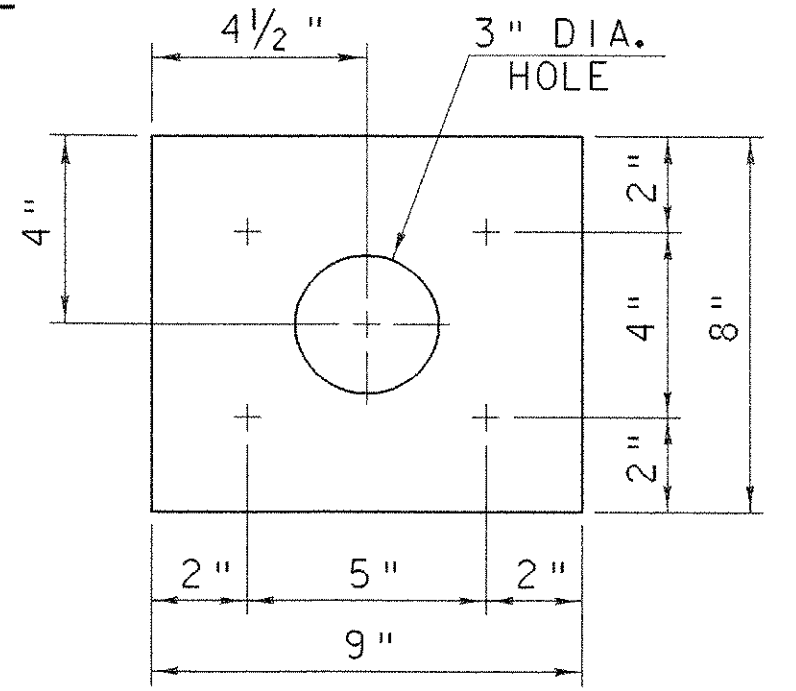
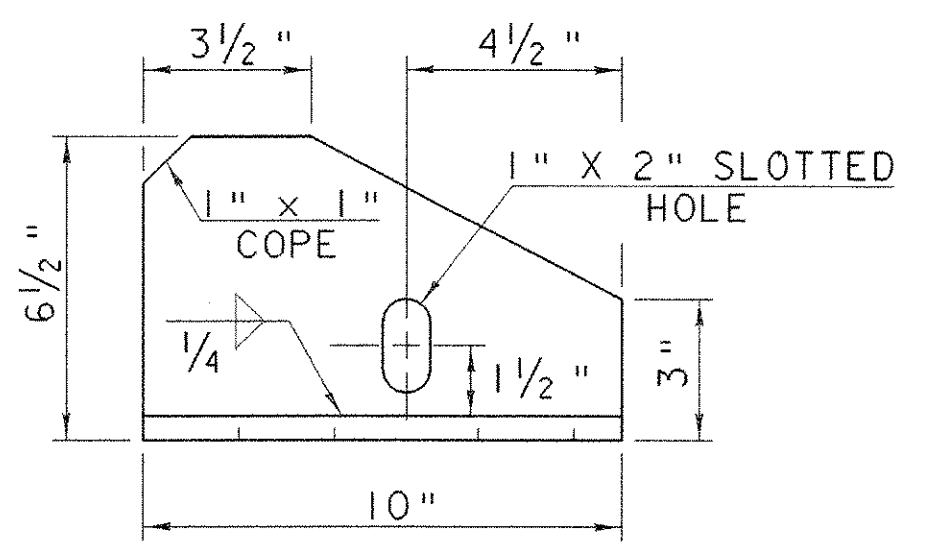
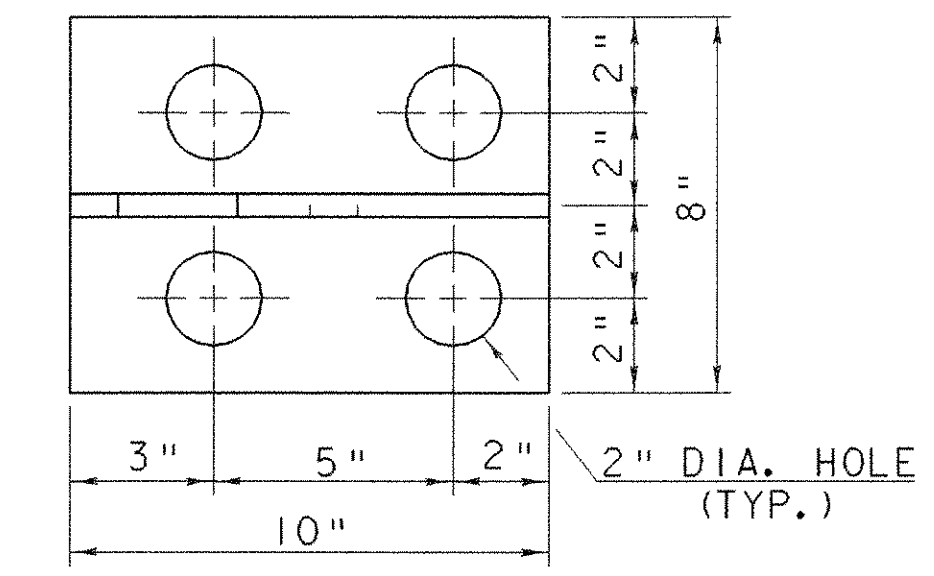


TYPICAL SECTION BETWEEN BRACKETS
SCALE 3" = 1'-0"

TYPICAL SECTION AT BRACKET
SCALE 3" = 1'-0"

TEMP	"A" DISTANCE
0° F	1 7/8"
15° F	1 11/16"
30° F	1 9/16"
45° F	1 3/8"
60° F	1 3/16"
75° F	1"
90° F	7/8"
105° F	11/16"

*THESE DIMENSIONS ARE THEORETICAL AND MAY CHANGE DEPENDING UPON THE OUTCOME OF THE FINAL GRADE.
**GRIND OUTSIDE CORNER TO 1/4" RADIUS AS SHOWN.



BRACKET PLAN
SCALE 3" = 1'-0"

BRACKET ELEVATION
SCALE 3" = 1'-0"

PLATE PLAN
SCALE 3" = 1'-0"

WASHER FOR BRACKET
SCALE 3" = 1'-0"



PROJECT: NEW HAVEN - WEYBRIDGE PROJECT NO.: BHO-BTN 2005 (1)
 DESIGN FILE NAME: 89j081/structures/sj081joint.dgn
 I/PARM FILE NAME: sj081joint.i PLOT DATE: 28-FEB-2007
 DESIGNED BY: R.S. YOUNG DRAWN BY: R.S. YOUNG
 SQUAD LEADER: C.P. WILLIAMS CHECKED BY: W.B. SYMONDS
 EXPANSION JOINT DETAILS SHEET: 23 OF 53