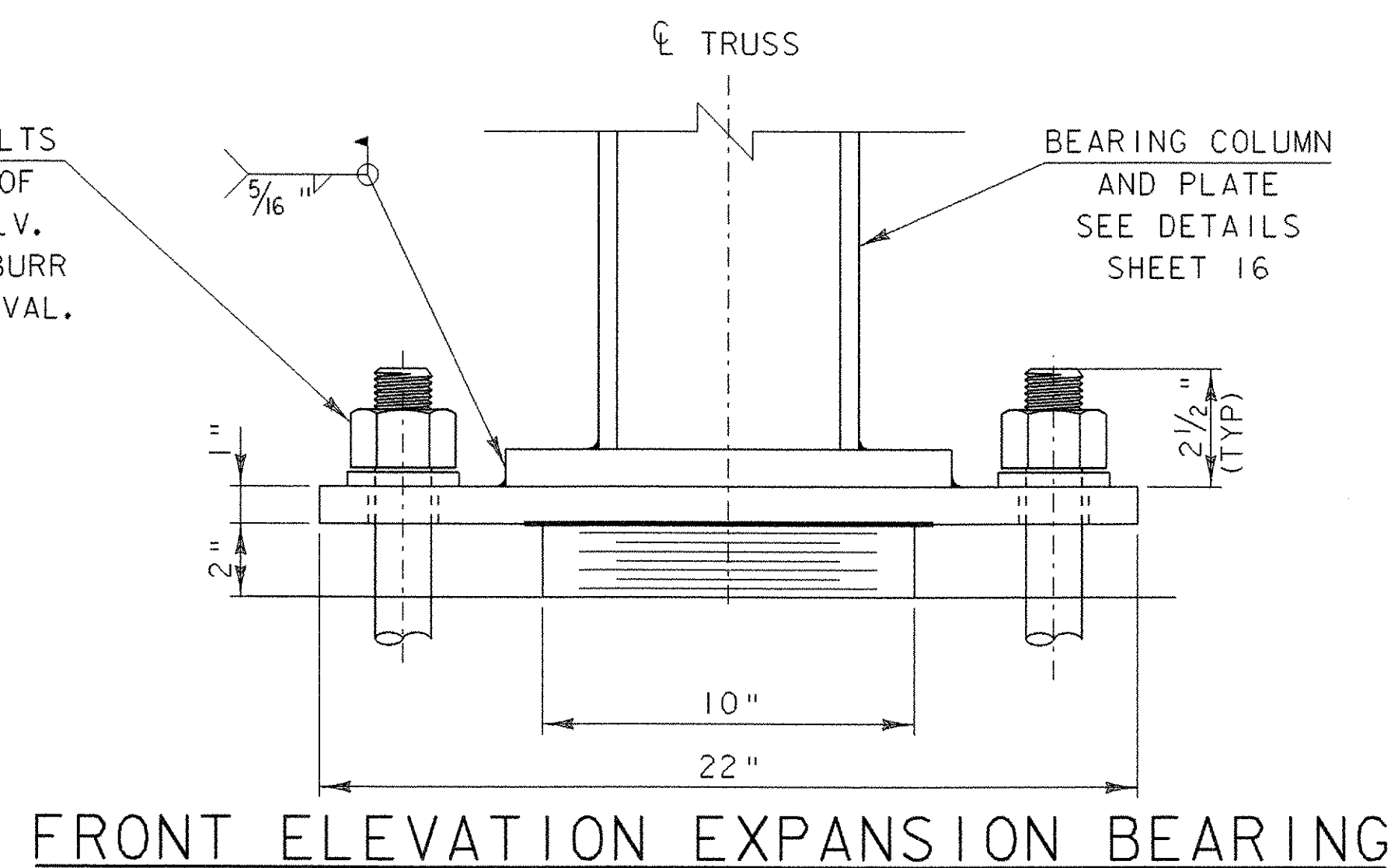


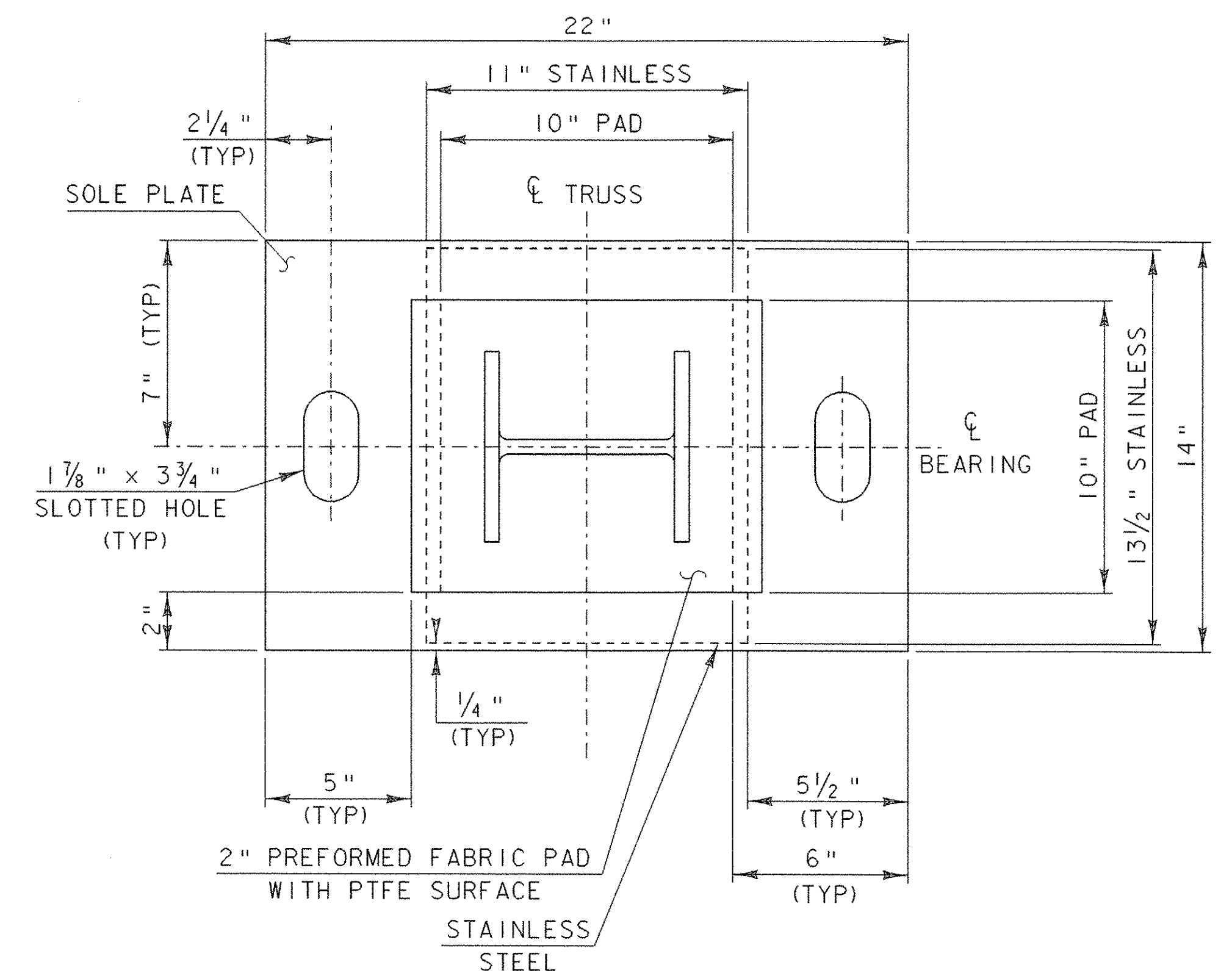
**SIDE ELEVATION EXPANSION BEARING**

STA 12 + 29.00



**FRONT ELEVATION EXPANSION BEARING**

STA 12 + 29.00



**PLAN VIEW EXPANSION BEARING**

STA 12 + 29.00

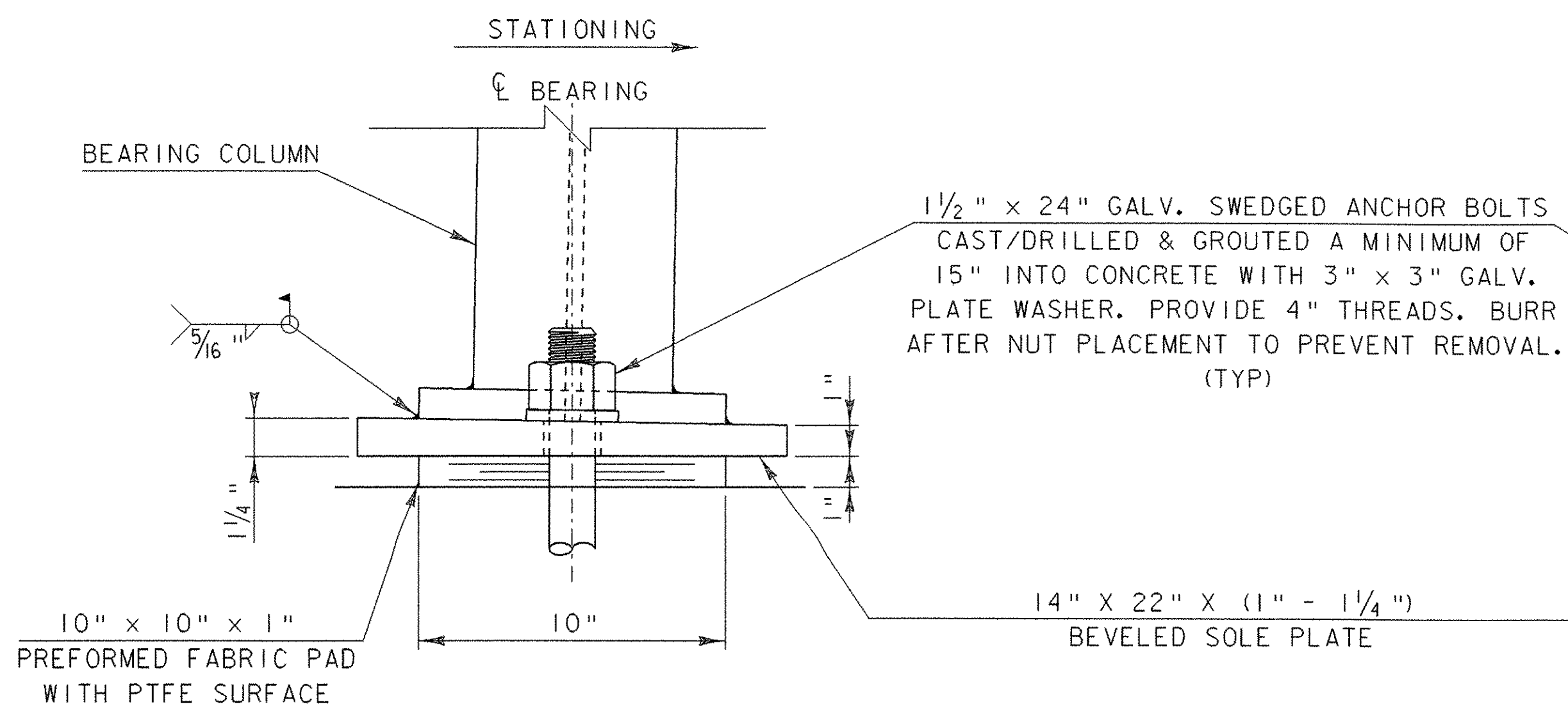
**EXPANSION BEARING**

TEMP	"A" DIST
0°F	1 1/2"
15°F	1 5/8"
30°F	1 9/8"
45°F	2"
60°F	2 3/8"
75°F	2 3/8"
90°F	2 1/2"
105°F	2 1/8"

"A" DISTANCE IS THE FINAL SETTING FOR THE BEARING PAD WHEN THE DEAD LOAD OF THE NEW DECK IS IN PLACE.

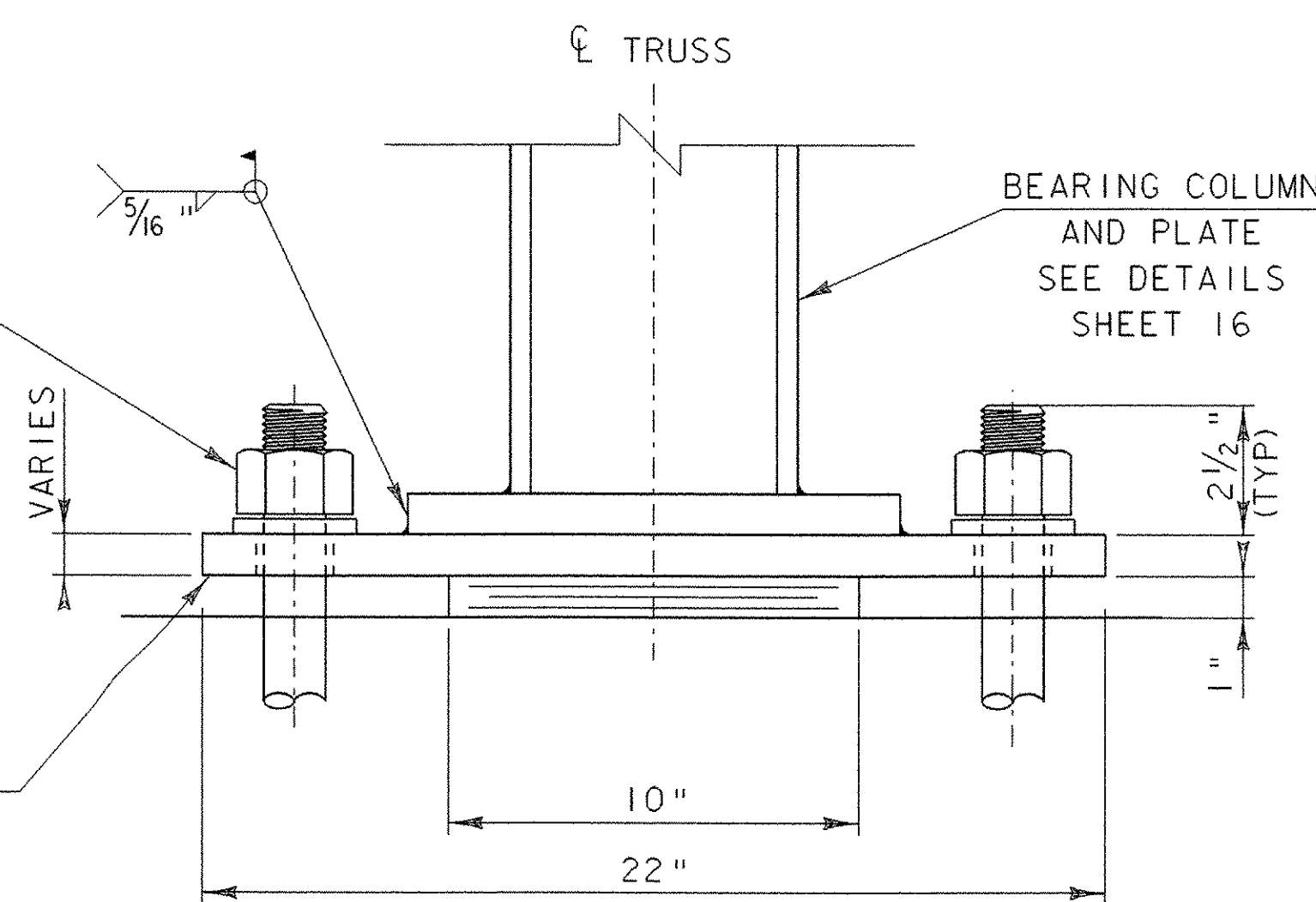
**ALL DETAILS SCALE 3:1**

SCALE 3" = 1'-0"



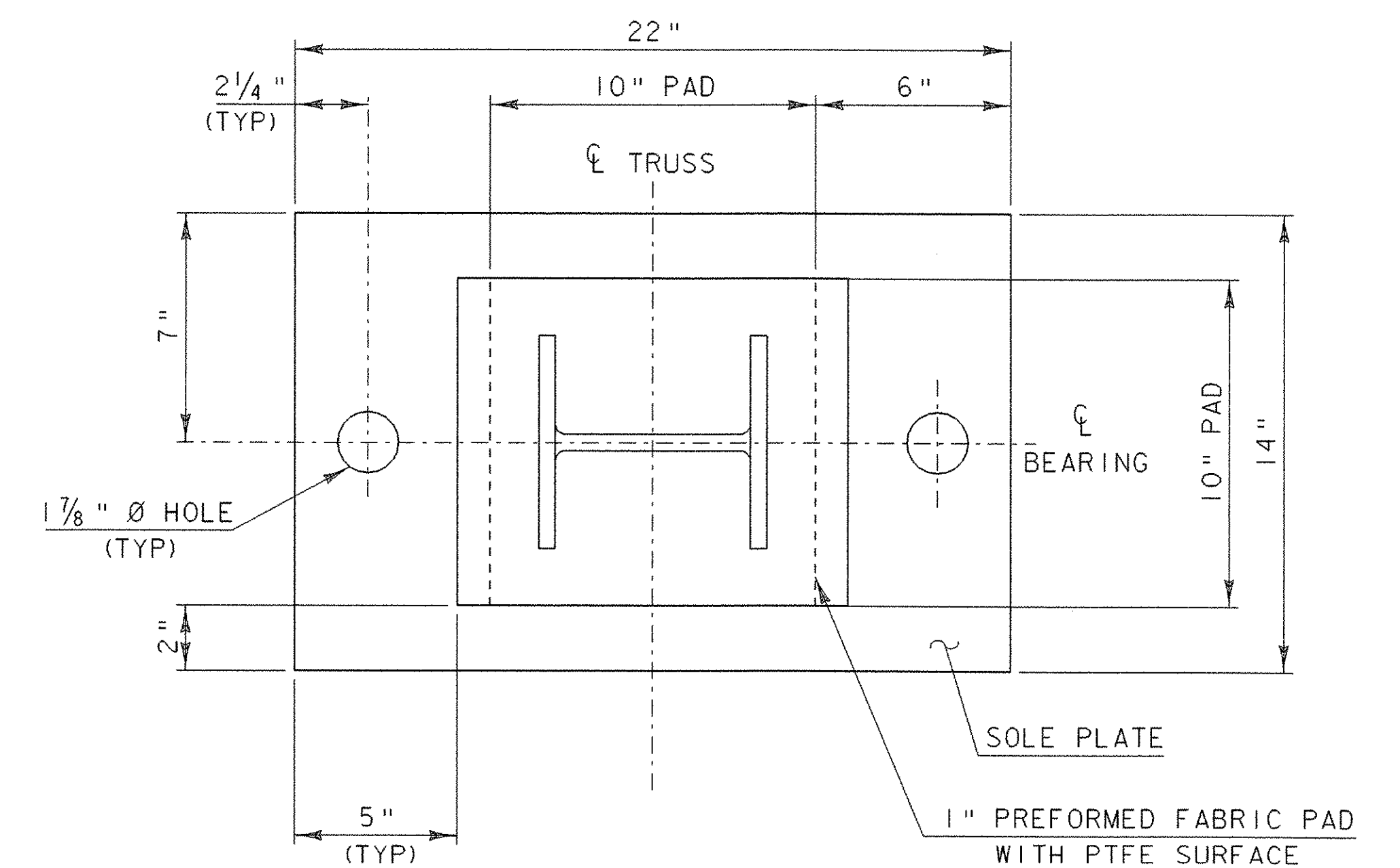
**SIDE ELEVATION FIXED BEARING**

STA 13 + 77.00



**FRONT ELEVATION FIXED BEARING**

STA 13 + 77.00



**PLAN VIEW OF FIXED BEARING**

STA 13 + 77.00

PROJECT: <b>NEW HAVEN - WEYBRIDGE</b>	PROJECT NO.: <b>BHO-BTN 2005 (1)</b>
DESIGN FILE NAME: 89j081/structures/sj081bearing.dgn	PLOT DATE: 28-FEB-2007
IPARM FILE NAME: sj081bearing2.1	DESIGNED BY: R. S. YOUNG
SQUAD LEADER: C. P. WILLIAMS	DRAWN BY: D. D. BEARD
BEARING DETAILS	CHECKED BY: R. S. YOUNG
	SHEET: 21 OF 53