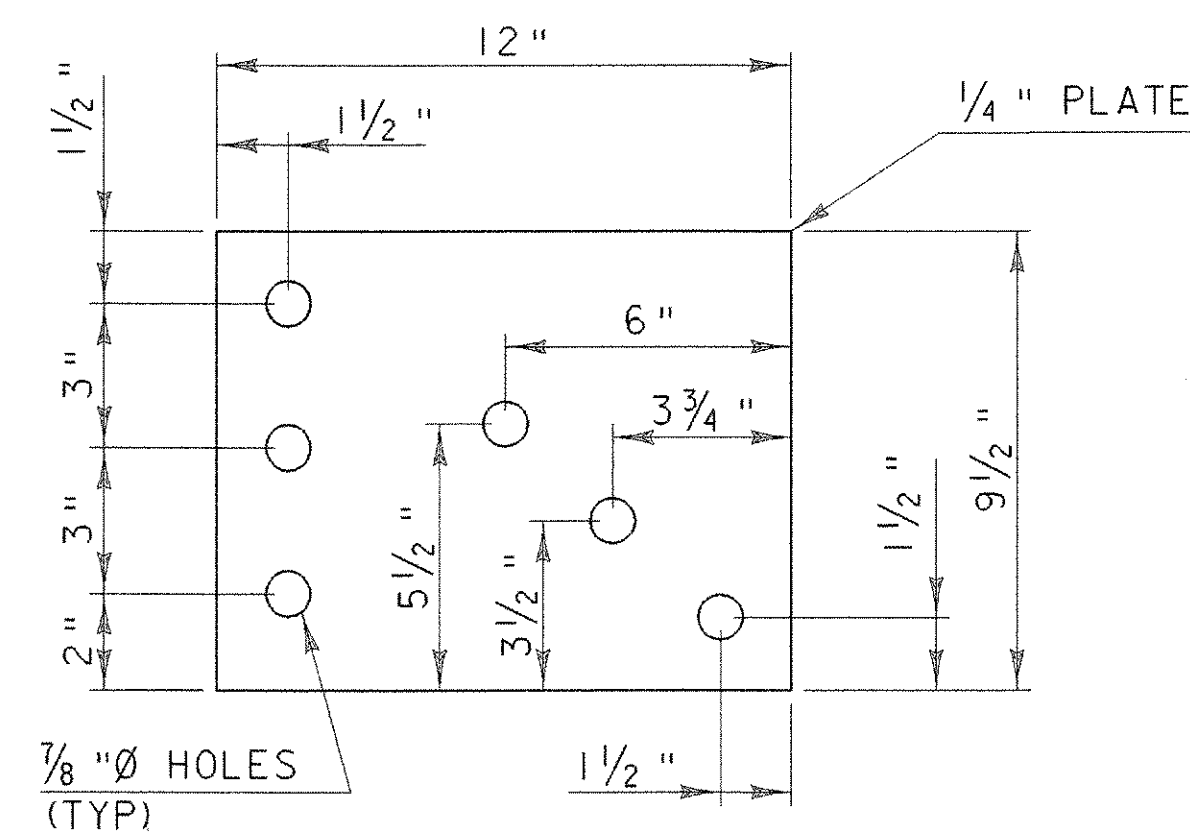


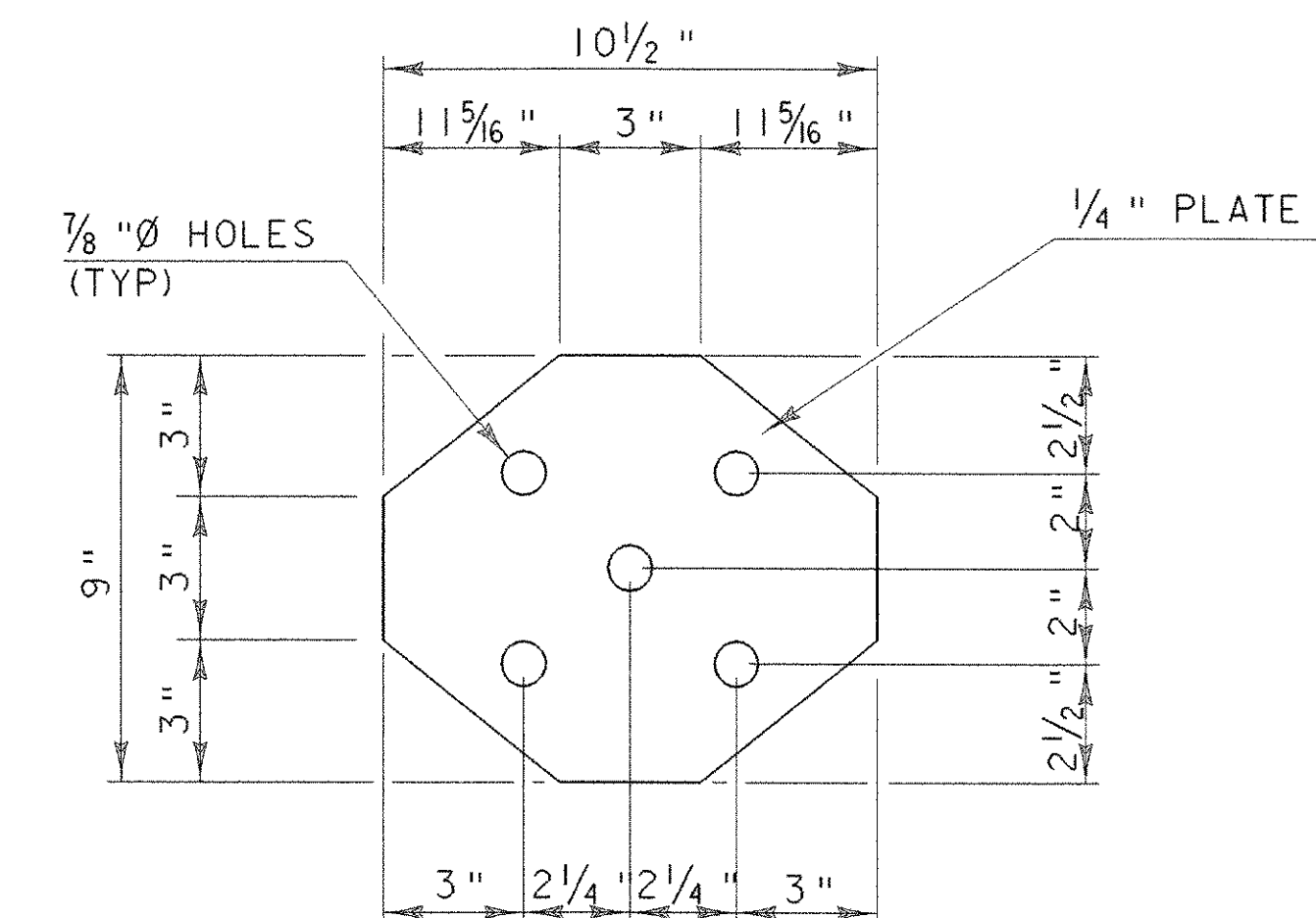
LATERAL BRACING DETAIL

SCALE: 3/8" = 1'-0"



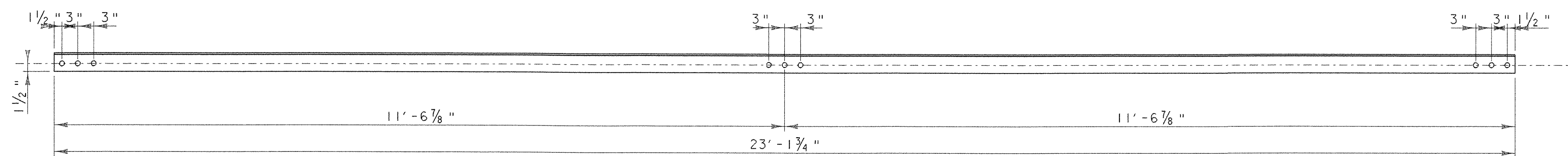
DETAIL "A"
END CONNECTION PLATE

SCALE: 3" = 1'-0"
(32 REQUIRED)



DETAIL "B"
CENTER CONNECTION PLATE

SCALE: 3" = 1'-0"
(8 REQUIRED)



LATERAL BRACING (TYP)
3 1/2" X 3 1/2" X 5/16" ANGLE

SCALE: 1" = 1'-0"

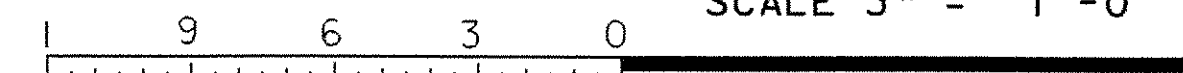
SCALE 3/8" = 1'-0"



SCALE 1" = 1'-0"



SCALE 3" = 1'-0"



PROJECT: NEW HAVEN-WEYBRIDGE	PROJECT NO.: BHO-BTN 2005 (1)
DESIGN FILE NAME: /89j081/structures/sj081 frame.dgn	
IPARM FILE NAME: bracing.i	PLOT DATE: 28-FEB-2007
DESIGNED BY: R. S. YOUNG	DRAWN BY: D. A. ECKSTEIN
SQUAD LEADER: C. P. WILLIAMS	CHECKED BY: R. S. YOUNG
LATERAL BRACING DETAILS	SHEET: 20 OF 53