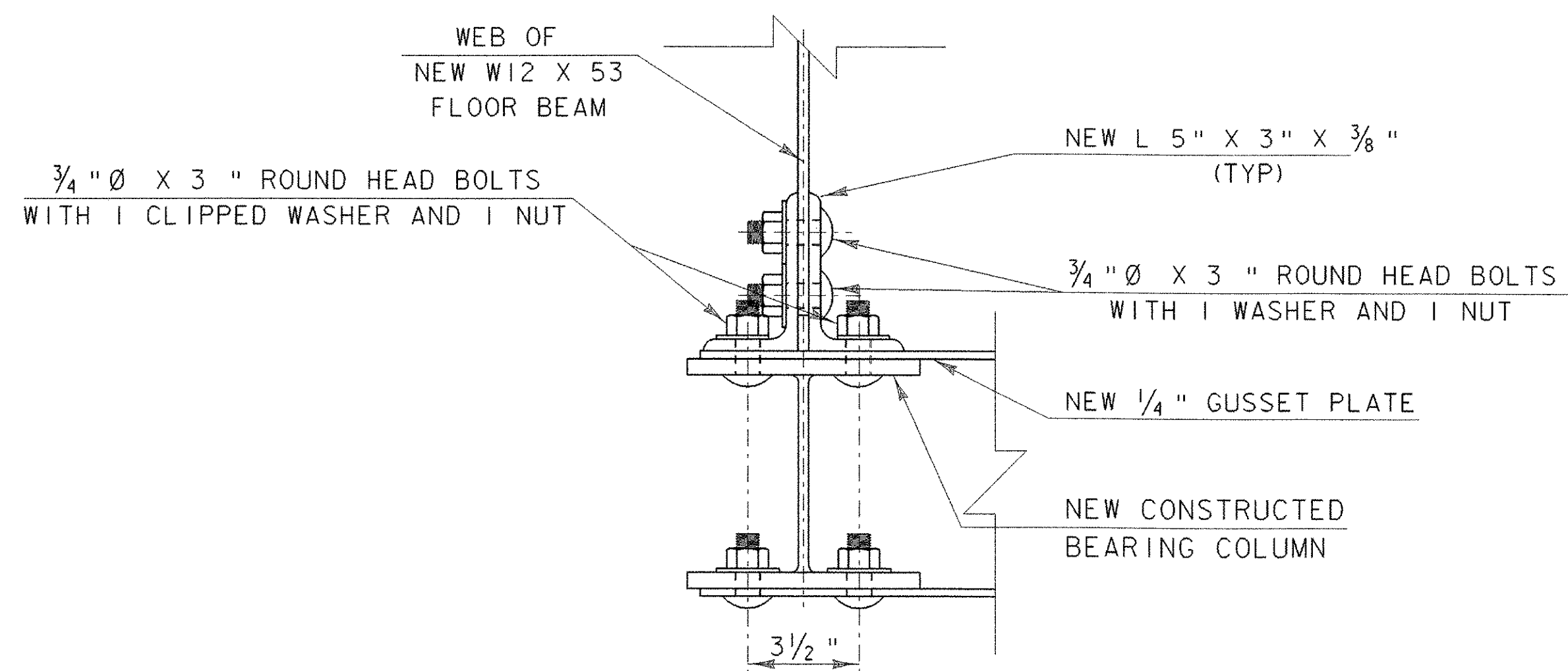


HALF PLAN OF FLOOR FRAMING PLAN

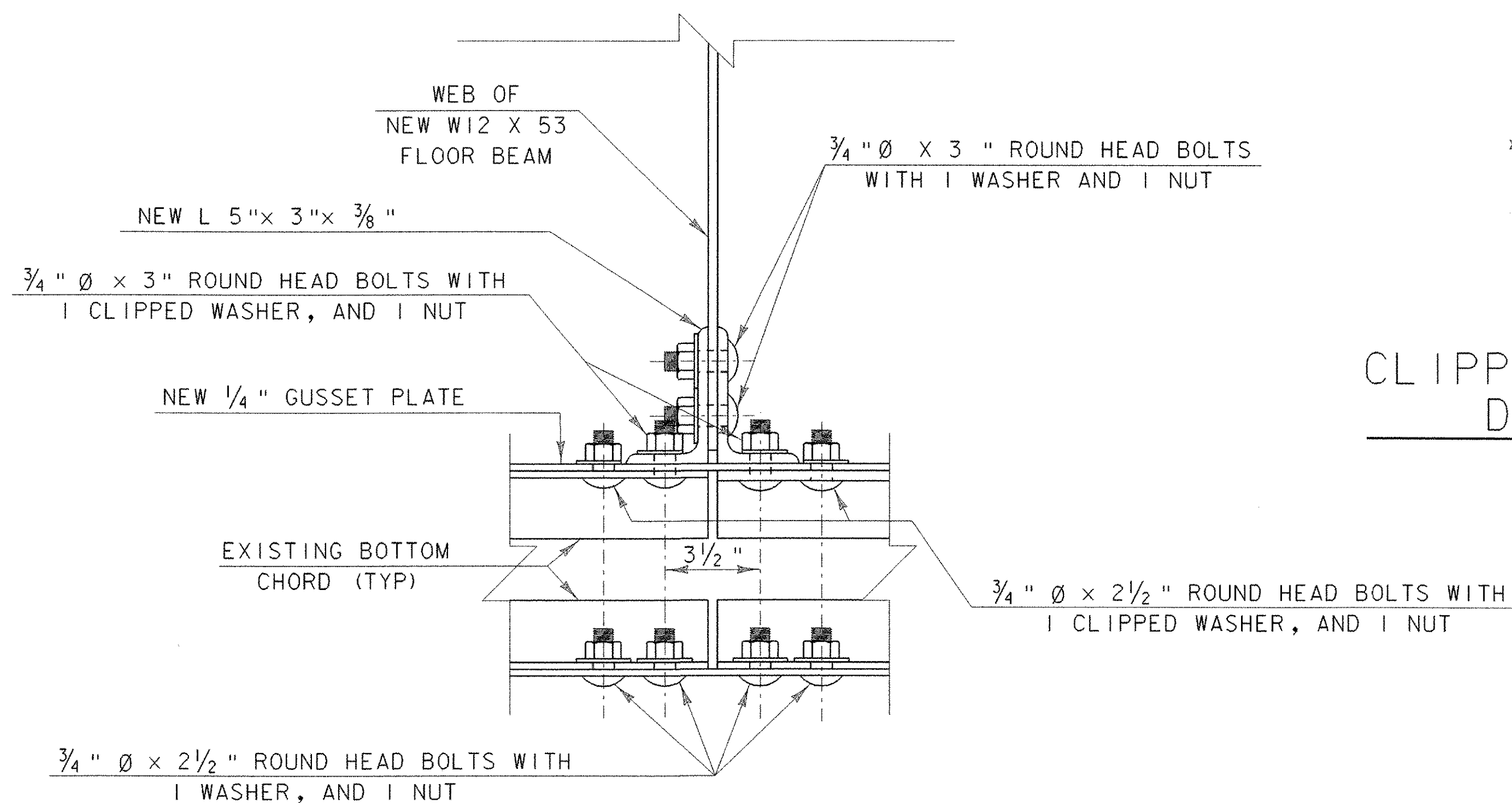
SCALE: 1/4" = 1'-0"

(BRIDGE FRAMING PLAN SYMMETRICAL ABOUT MIDSPAN)



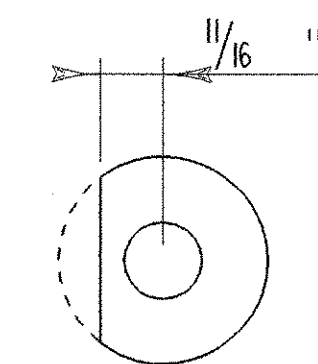
DETAIL A
PLAN OF NEW FLOOR BEAM CONNECTION
PANEL POINTS 1 AND 9

SCALE: 3" = 1'-0"



DETAIL B
PLAN OF NEW FLOOR BEAM CONNECTION
PANEL POINTS 2 THROUGH 8

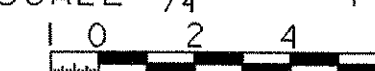
SCALE: 3" = 1'-0"



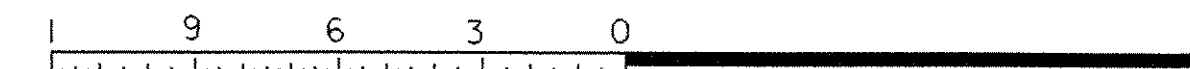
CLIPPED WASHER
DETAIL

N. T. S.

SCALE 1/4" = 1'-0"



SCALE 3" = 1'-0"



PROJECT: NEW HAVEN-WEYBRIDGE	PROJECT NO.: BHO-BTN 2005 (1)
DESIGN FILE NAME: /89j081/structures/sj081 frame.dgn	PLOT DATE: 28-FEB-2007
IPARM FILE NAME: frame.i	DRAWN BY: D. A. ECKSTEIN
DESIGNED BY: R. S. YOUNG	CHECKED BY: R. S. YOUNG
SQUAD LEADER: C. P. WILLIAMS	FRAMING PLAN & CONNECTION DETAILS
SHEET: 19 OF 53	