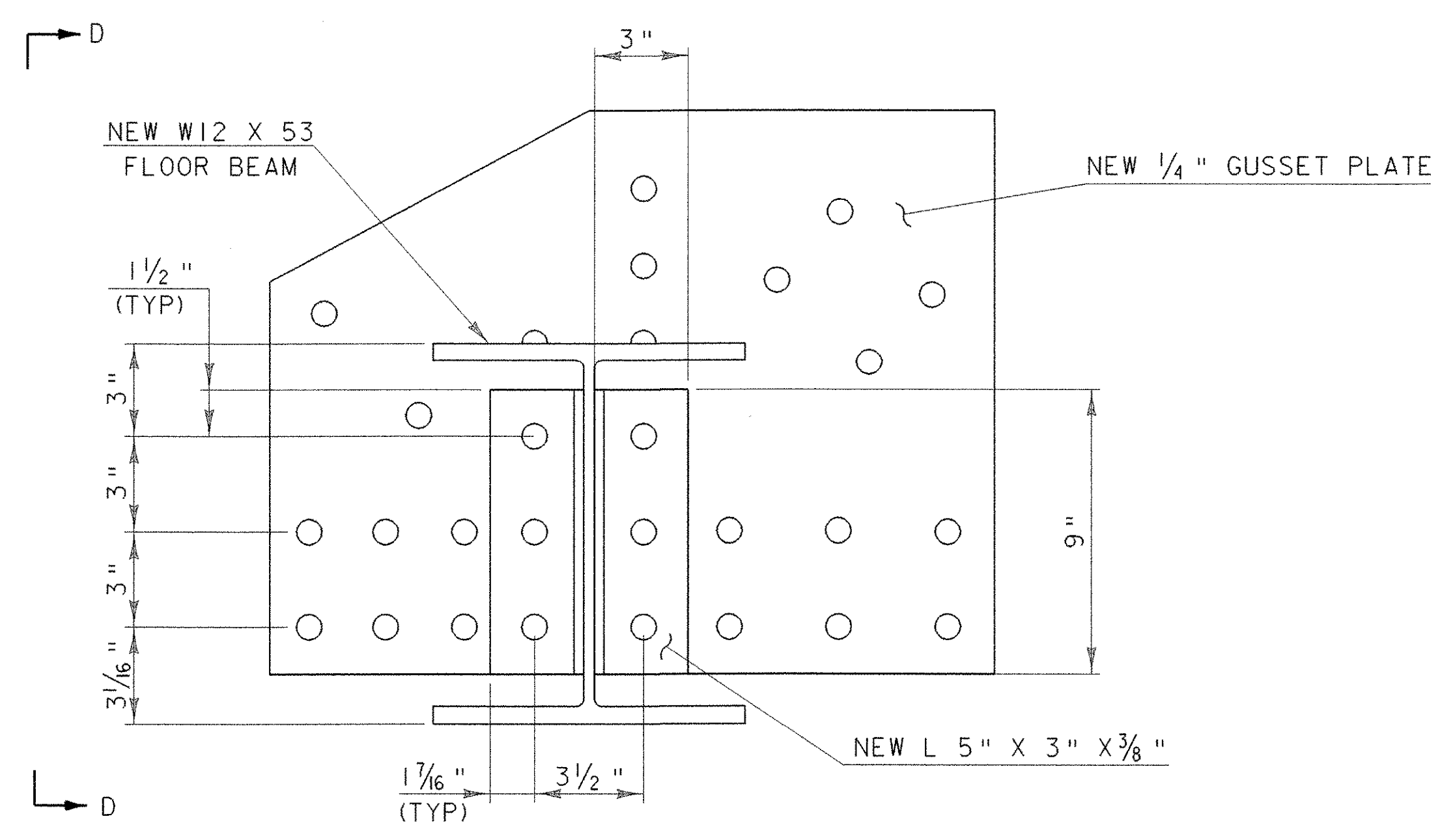
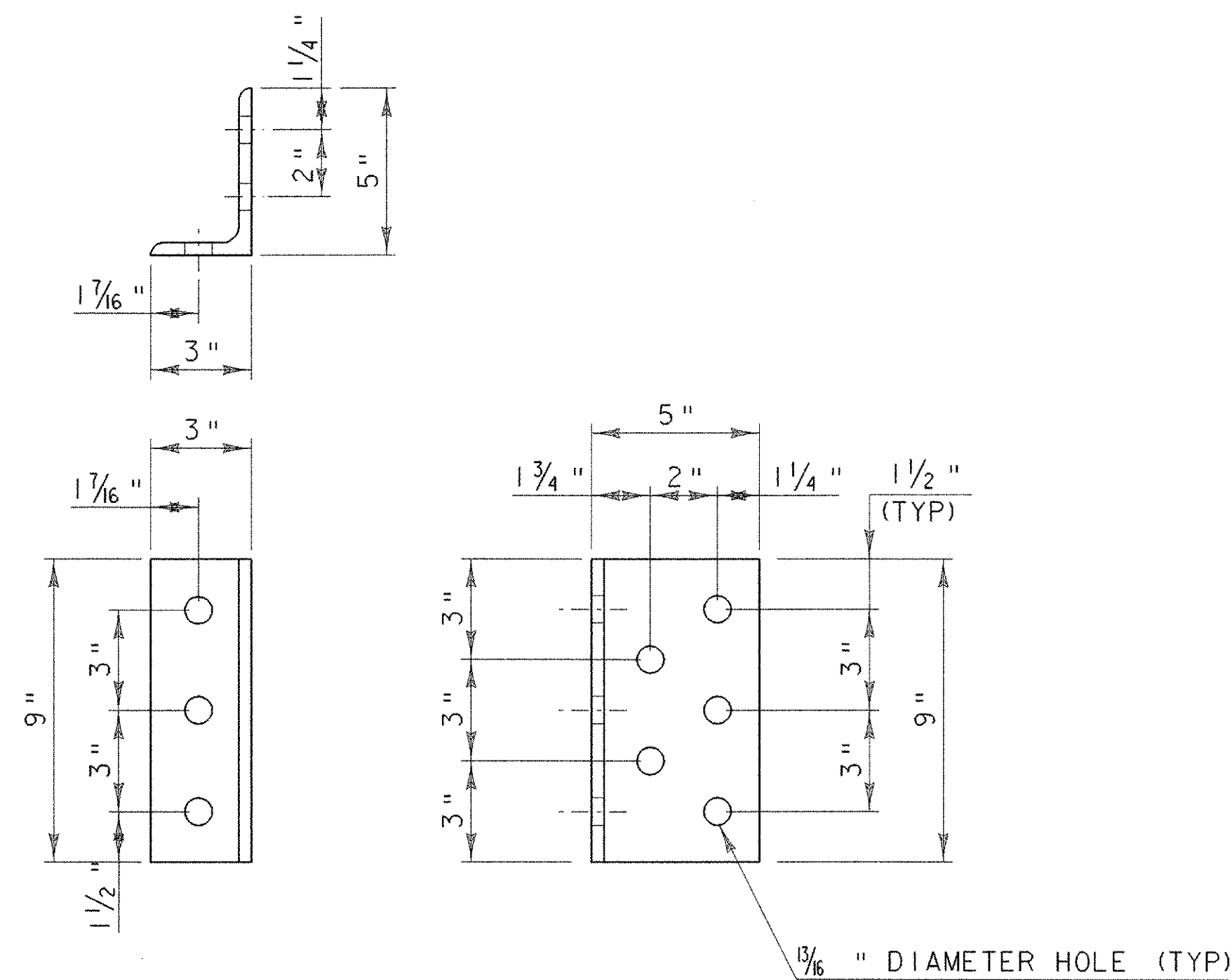


FLOOR BEAM CONNECTION AT
PANEL POINTS 1 AND 9

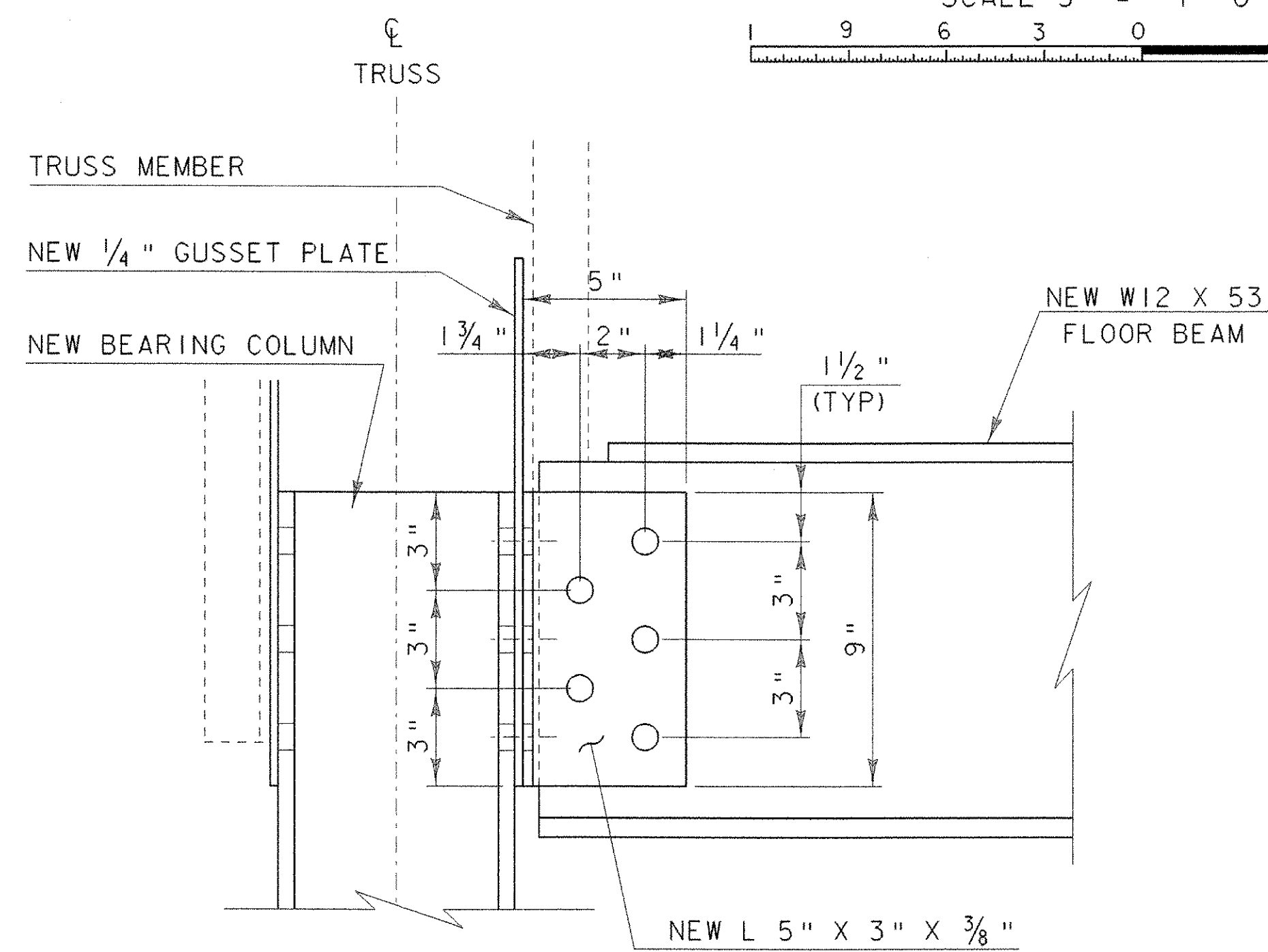


FLOOR BEAM CONNECTION AT
PANEL POINTS 2 THROUGH 8

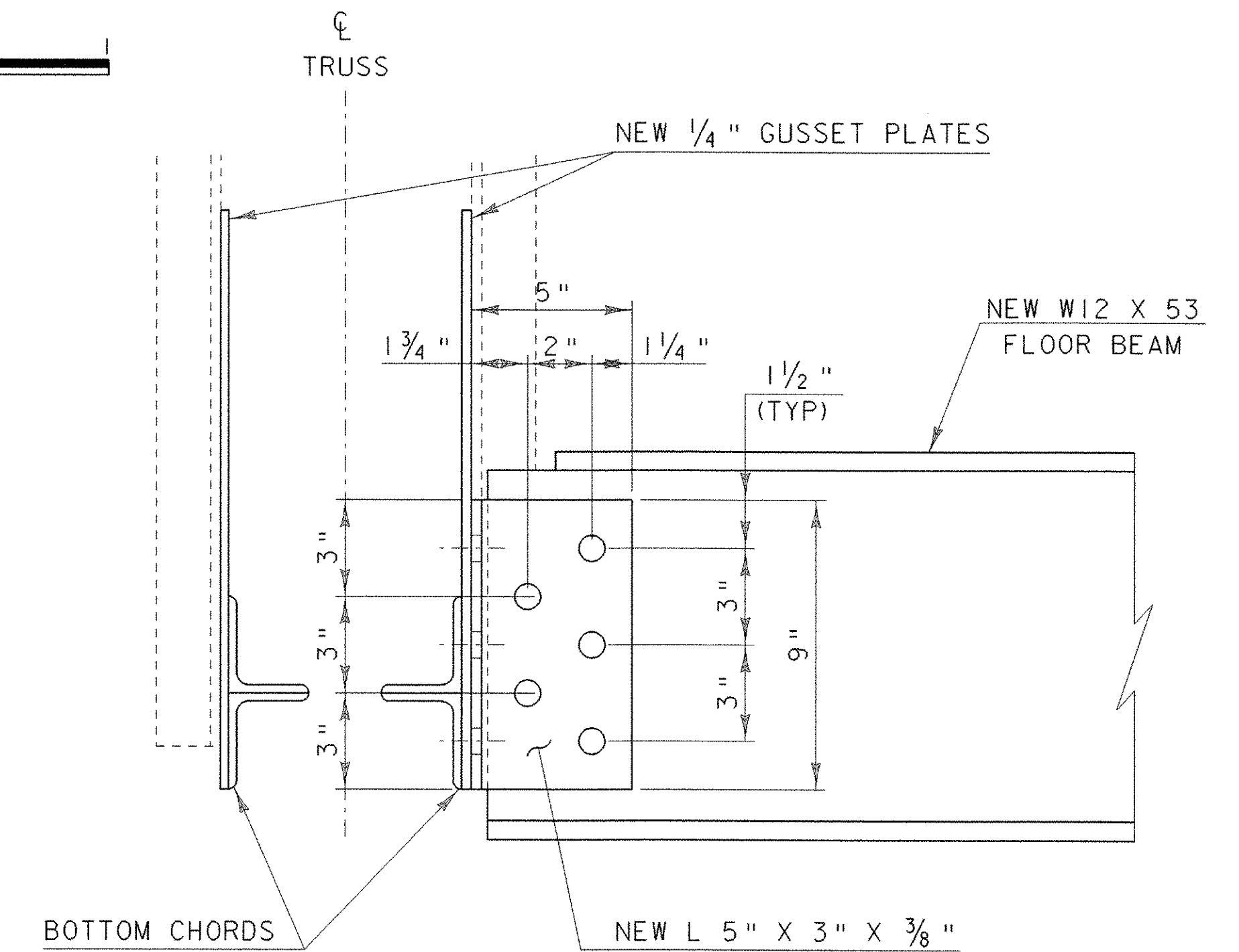
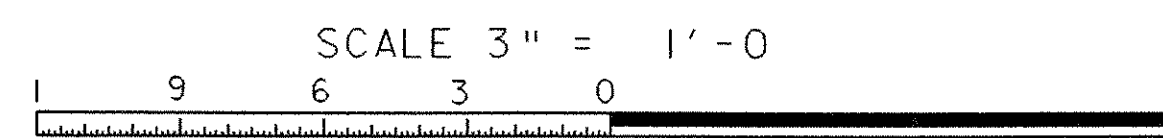


ANGLES AT PANEL
POINTS 1 THROUGH 9

(36 REQUIRED)



VIEW C-C



VIEW D-D



NOTE: EXISTING ANGLES CONNECTING THE TRUSS TO THE FLOOR BEAMS SHALL BE REPLACED WITH THE ANGLES DETAILED ON THIS SHEET.

PROJECT: NEW HAVEN-WEYBRIDGE	PROJECT NO.: BHO-BTN 2005 (1)
DESIGN FILE NAME: /89j081/structures/sj081 frame.dgn	PLOT DATE: 28-FEB-2007
IPARM FILE NAME: floorbeamconn.i	DESIGNED BY: R.S. YOUNG
SQUAD LEADER: C.P. WILLIAMS	DRAWN BY: R.S. YOUNG
FLOOR BEAM CONNECTION DETAILS	CHECKED BY: R.S. YOUNG
	SHEET: 18 OF 53