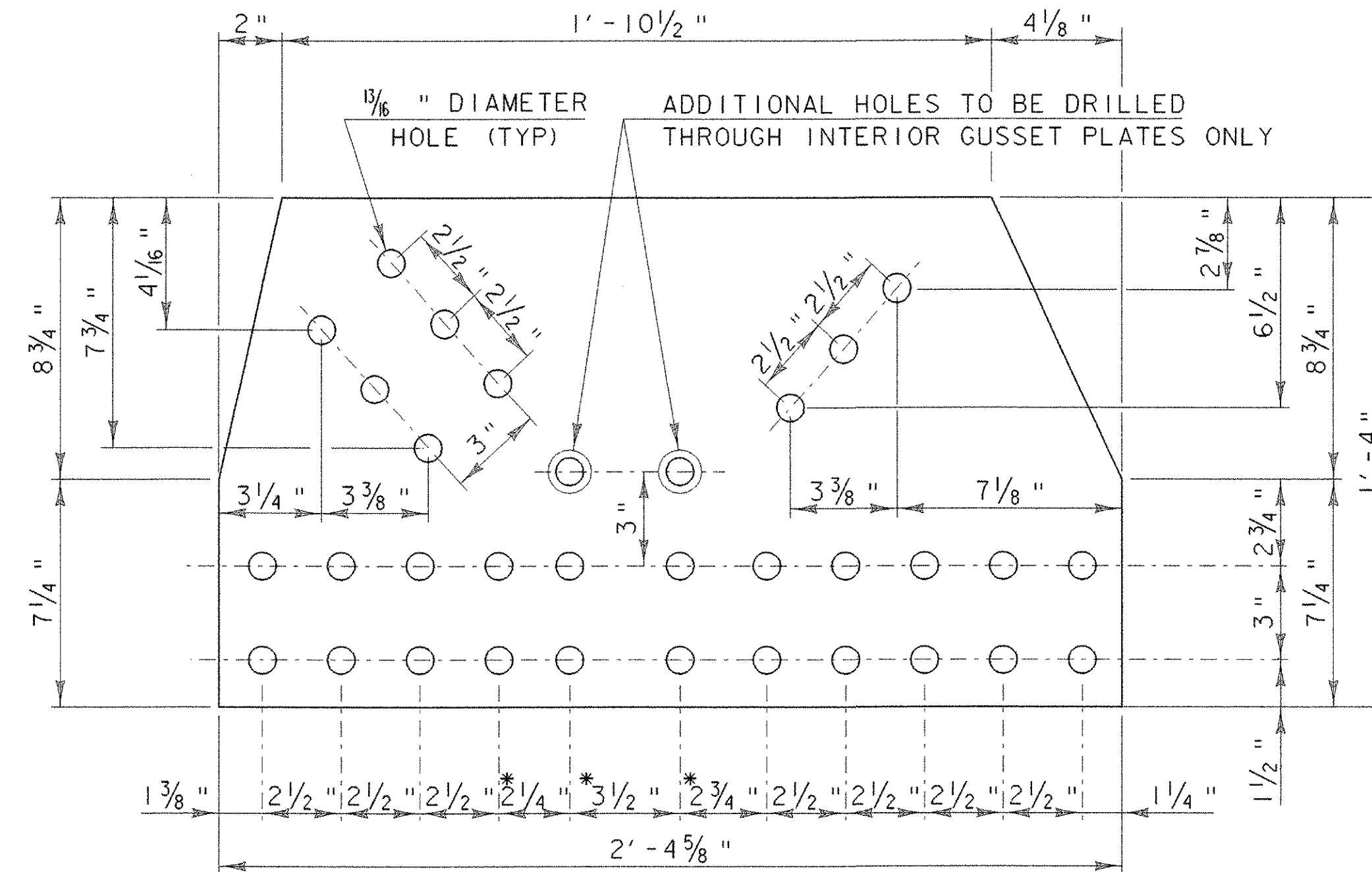


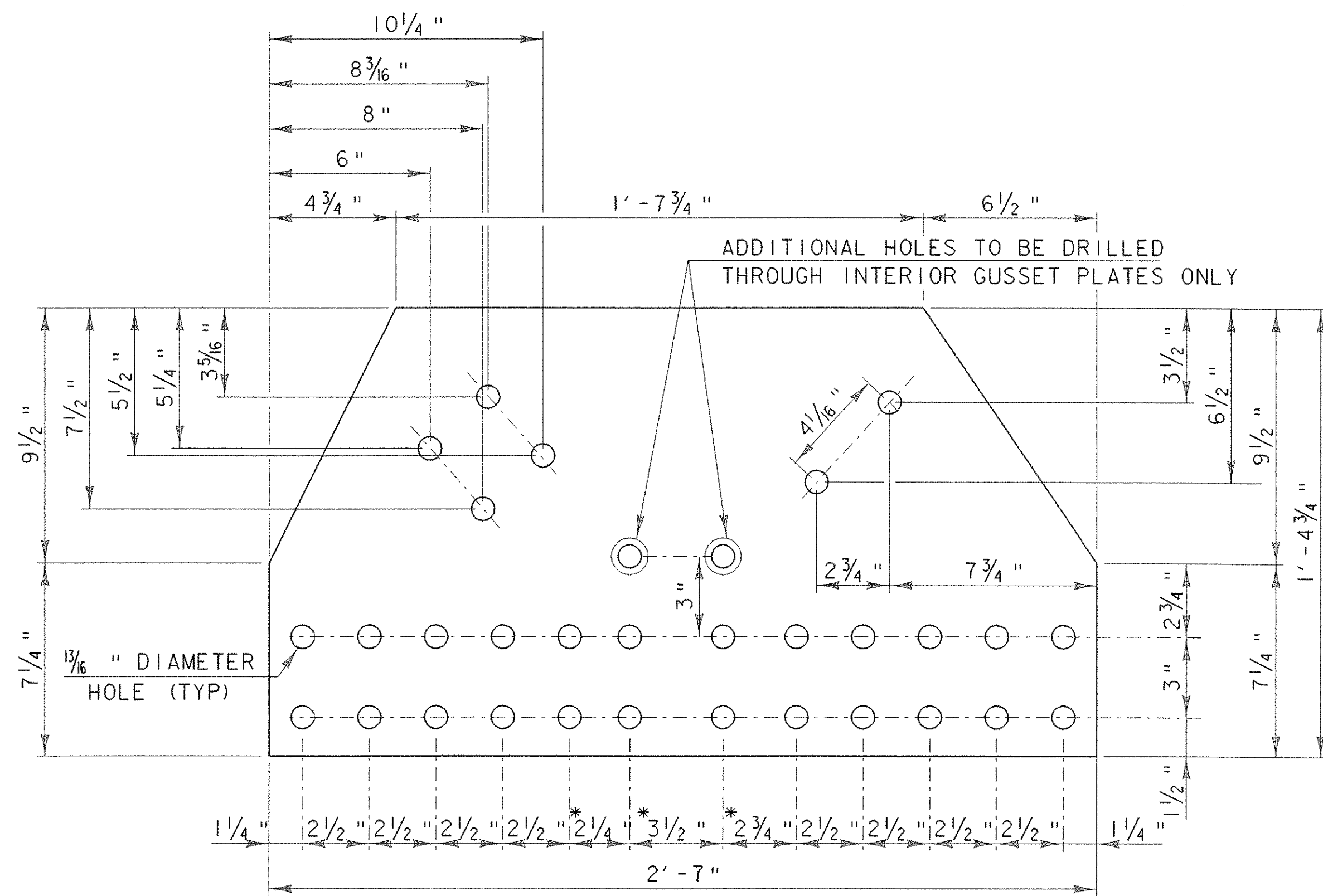
PANEL POINTS 2 AND 8

SCALE 3" = 1'-0 (8 REQUIRED)



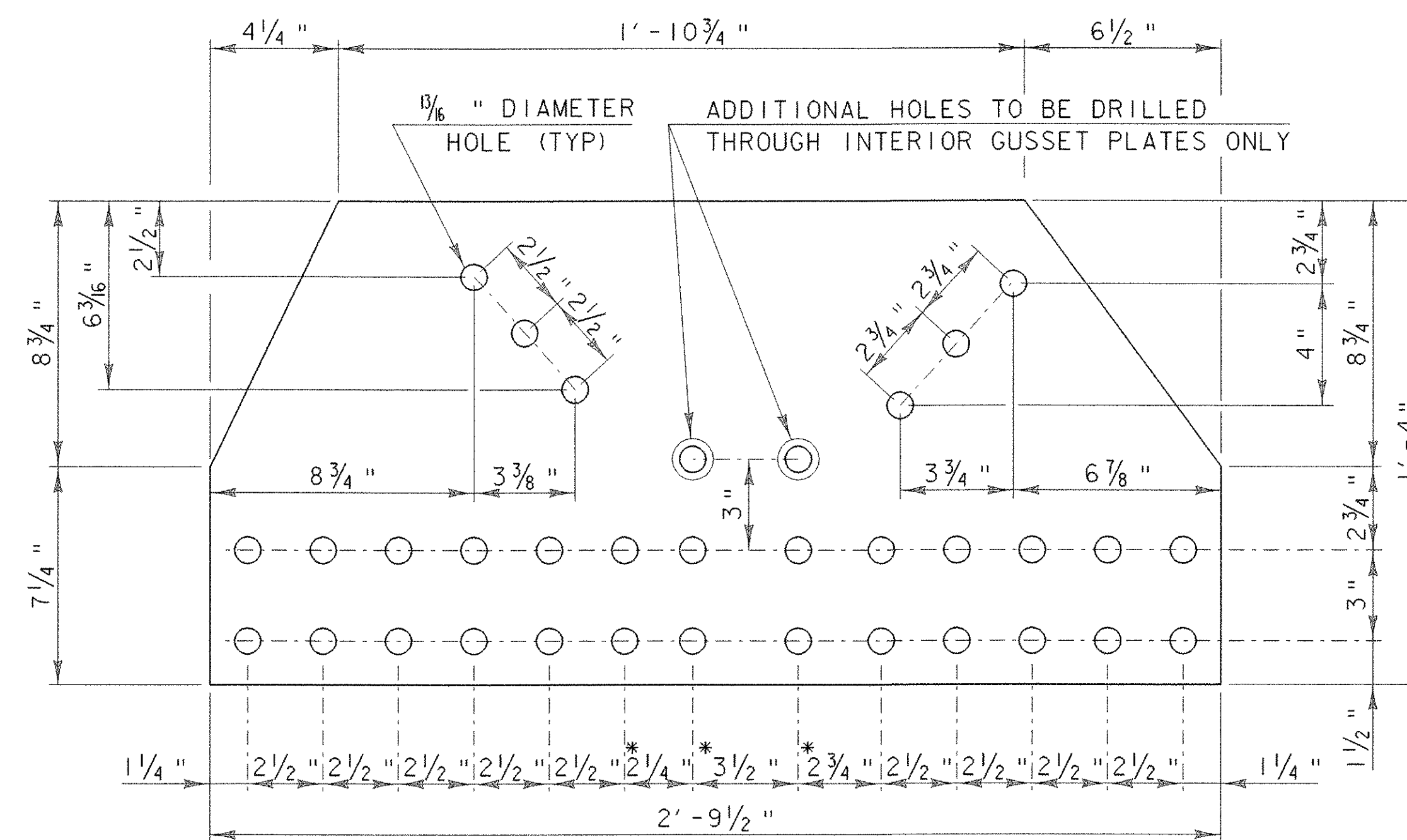
PANEL POINTS 3 AND 7

SCALE 3" = 1'-0 (8 REQUIRED)



PANEL POINTS 4 AND 6

SCALE 3" = 1'-0 (8 REQUIRED)

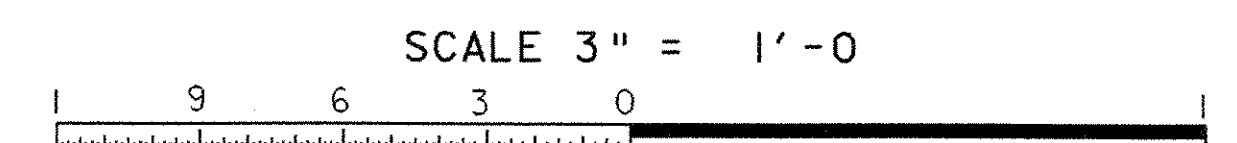


PANEL POINT 5

SCALE 3" = 1'-0 (4 REQUIRED)

***NOTE- INTERIOR GUSSET PLATES ONLY**

THE ORIGINAL SPACING HAS BEEN CHANGED FOR CONNECTION TO THE FLOOR BEAM. HOLES IN THE NEW VERTICAL ANGLES SHALL BE ADJUSTED ACCORDINGLY. HOLES IN THE EXISTING BOTTOM CHORD SHALL BE REAMED 1/4" TO FIT THE NEW SPACING. REAMING SHALL BE INCIDENTAL TO ITEM 506.60 "STRUCTURAL STEEL."



PROJECT: NEW HAVEN - WEYBRIDGE	PROJECT NO.: BHO-BTN 2005 (1)
DESIGN FILE NAME: 89j081/structures/sj081truss.dgn	
IPARM FILE NAME: sj081gusset.i	PLOT DATE: 28-FEB-2007
DESIGNED BY: R.S. YOUNG	DRAWN BY: M.C. LONGSTREET
SQUAD LEADER: C.P. WILLIAMS	CHECKED BY: R.S. YOUNG
GUSSET PLATES	SHEET: 17 OF 53