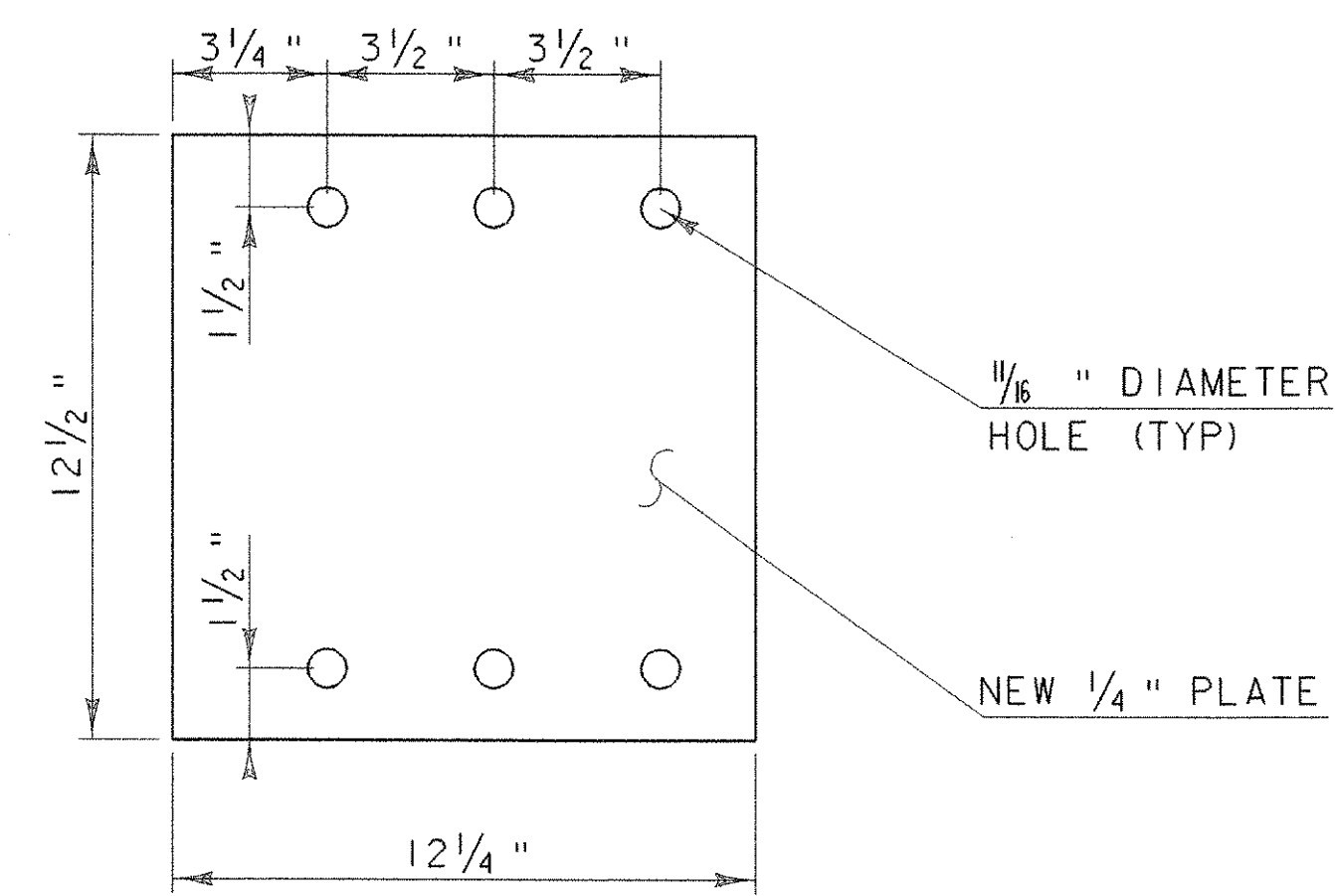


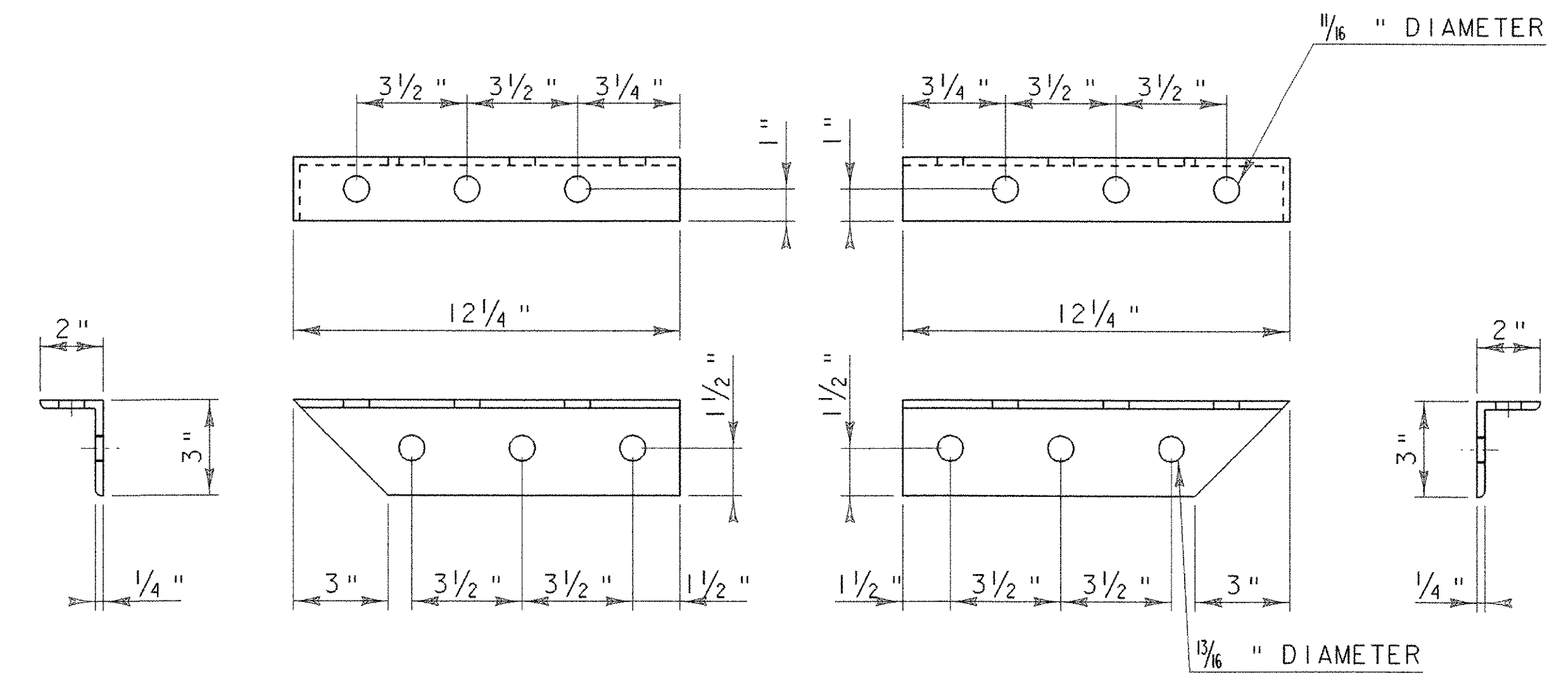
**GUSSET PLATE AT PANEL POINTS 1 AND 9**

SCALE: 3" = 1'-0" (8 REQUIRED)



**COVER PLATE**

SCALE: 3" = 1'-0" (4 REQUIRED)



**LEFT COVER BRACE**

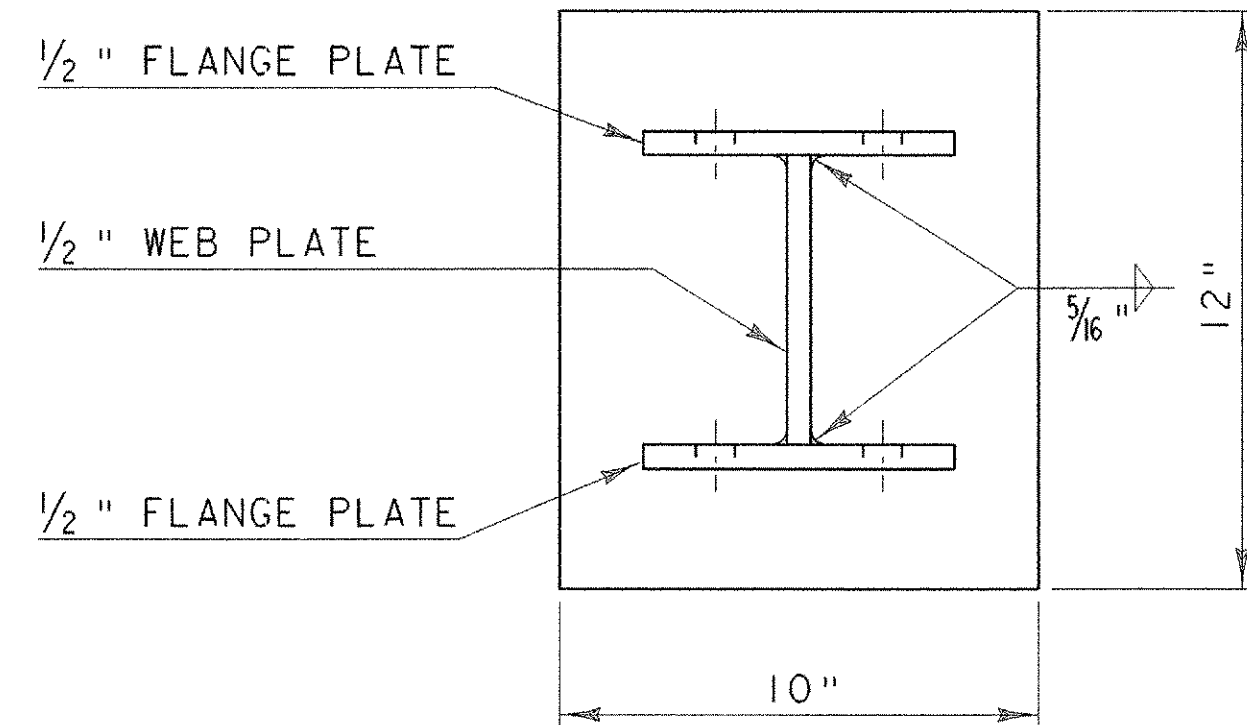
L 3"x2"x1/4"

SCALE: 3" = 1'-0" (4 REQUIRED)

**RIGHT COVER BRACE**

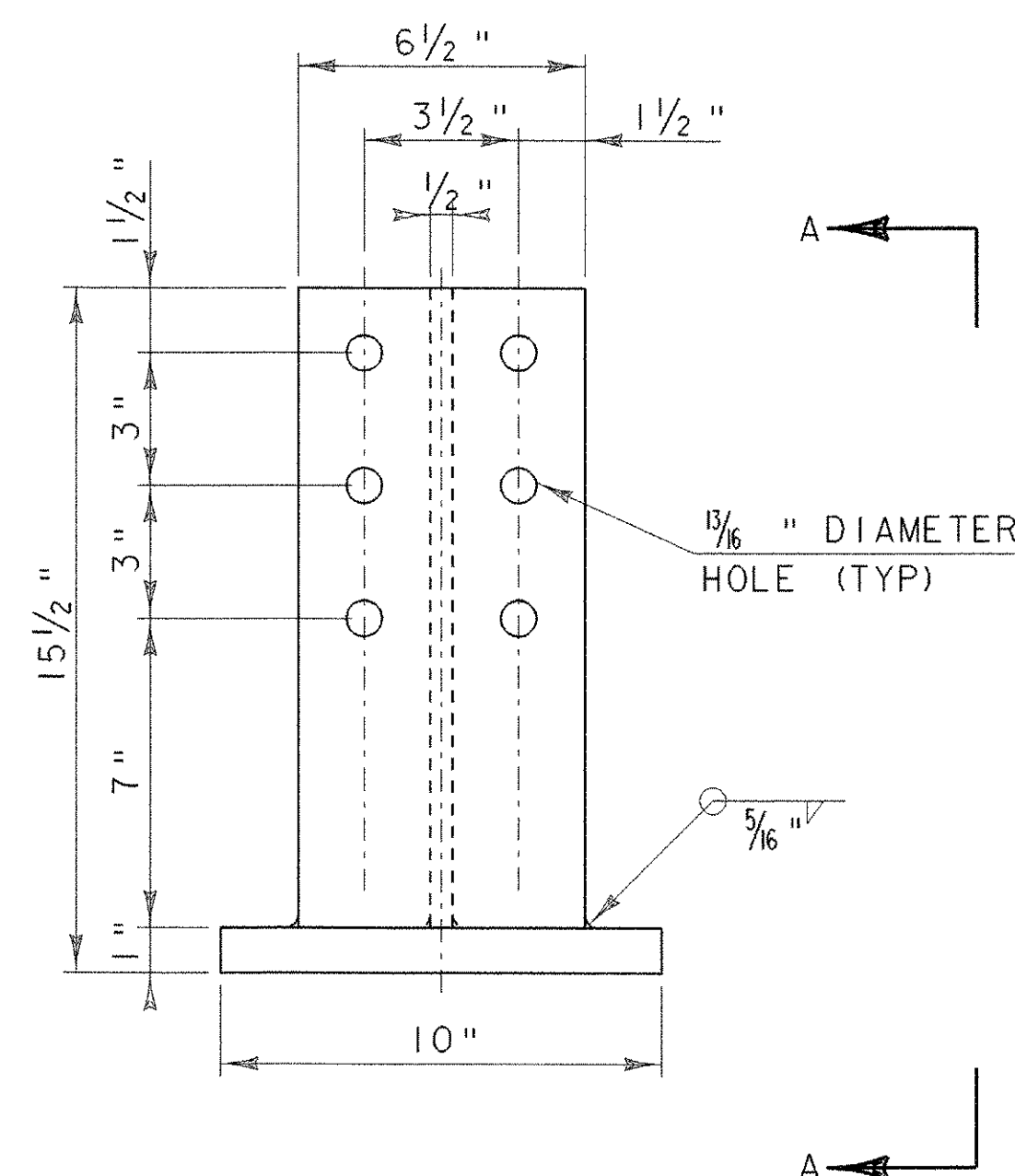
L 3"x2"x1/4"

SCALE: 3" = 1'-0" (4 REQUIRED)



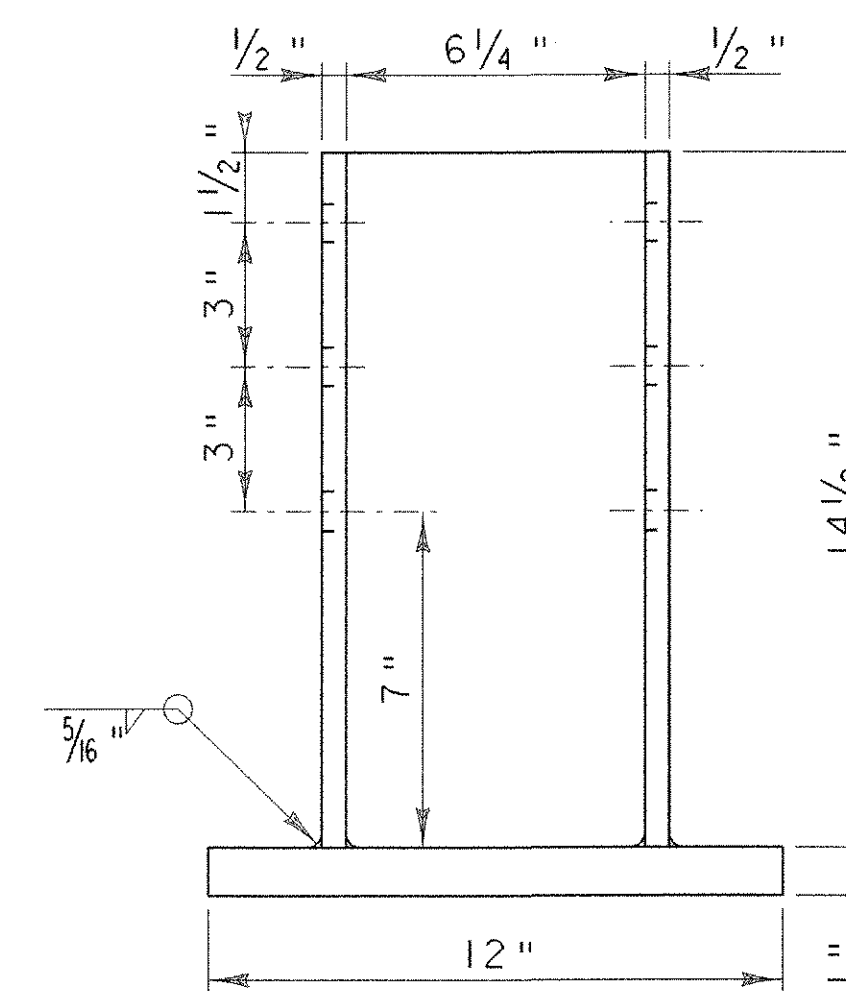
**BEARING COLUMN  
TOP VIEW**

SCALE: 3" = 1'-0"



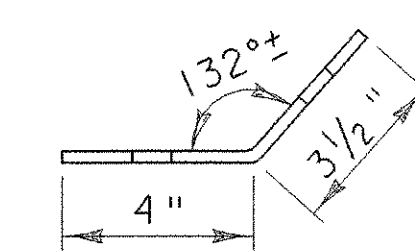
**BEARING COLUMN HOLE PATTERN**

SCALE: 3" = 1'-0" (4 REQUIRED)



**VIEW "A-A"**

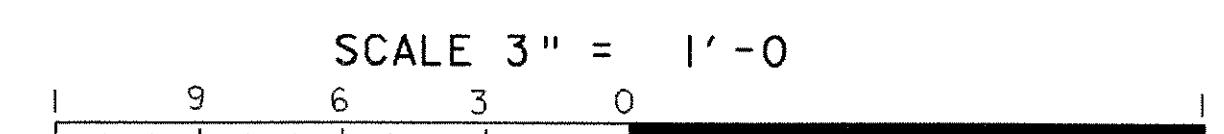
SCALE: 3" = 1'-0"



**NEW BENT PLATE**

PL 12 1/2" X 1/4" X 7 1/2" (4 REQUIRED)

SCALE: 3" = 1'-0"



PROJECT: NEW HAVEN - WEYBRIDGE	PROJECT NO.: BHO-BTN 2005 (1)
DESIGN FILE NAME: 89j081/structures/sj081truss.dgn	
IPARM FILE NAME: sj081platebeam.i	PLOT DATE: 28-FEB-2007
DESIGNED BY: R.S. YOUNG	DRAWN BY: R.S. YOUNG
SQUAD LEADER: C.P. WILLIAMS	CHECKED BY: W.B. SYMONDS
BEARING PLATE AND COLUMN DETAILS SHEET: 16 OF 53	