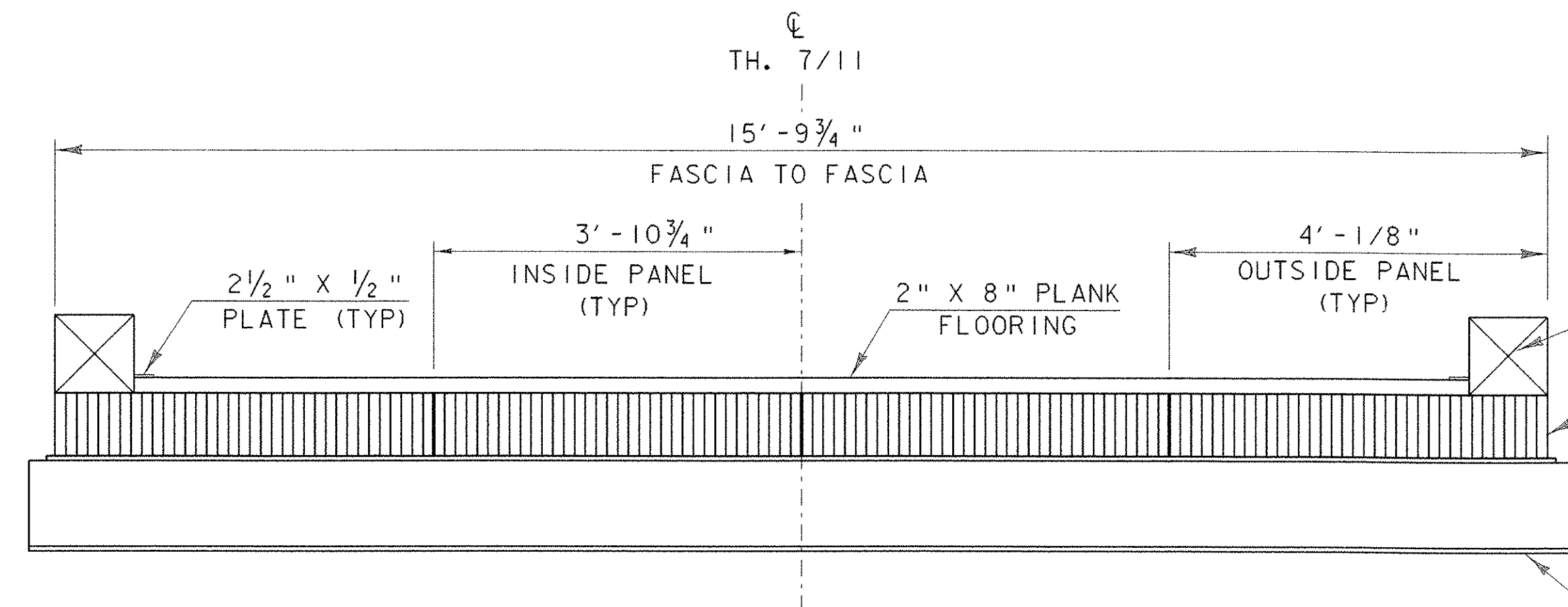


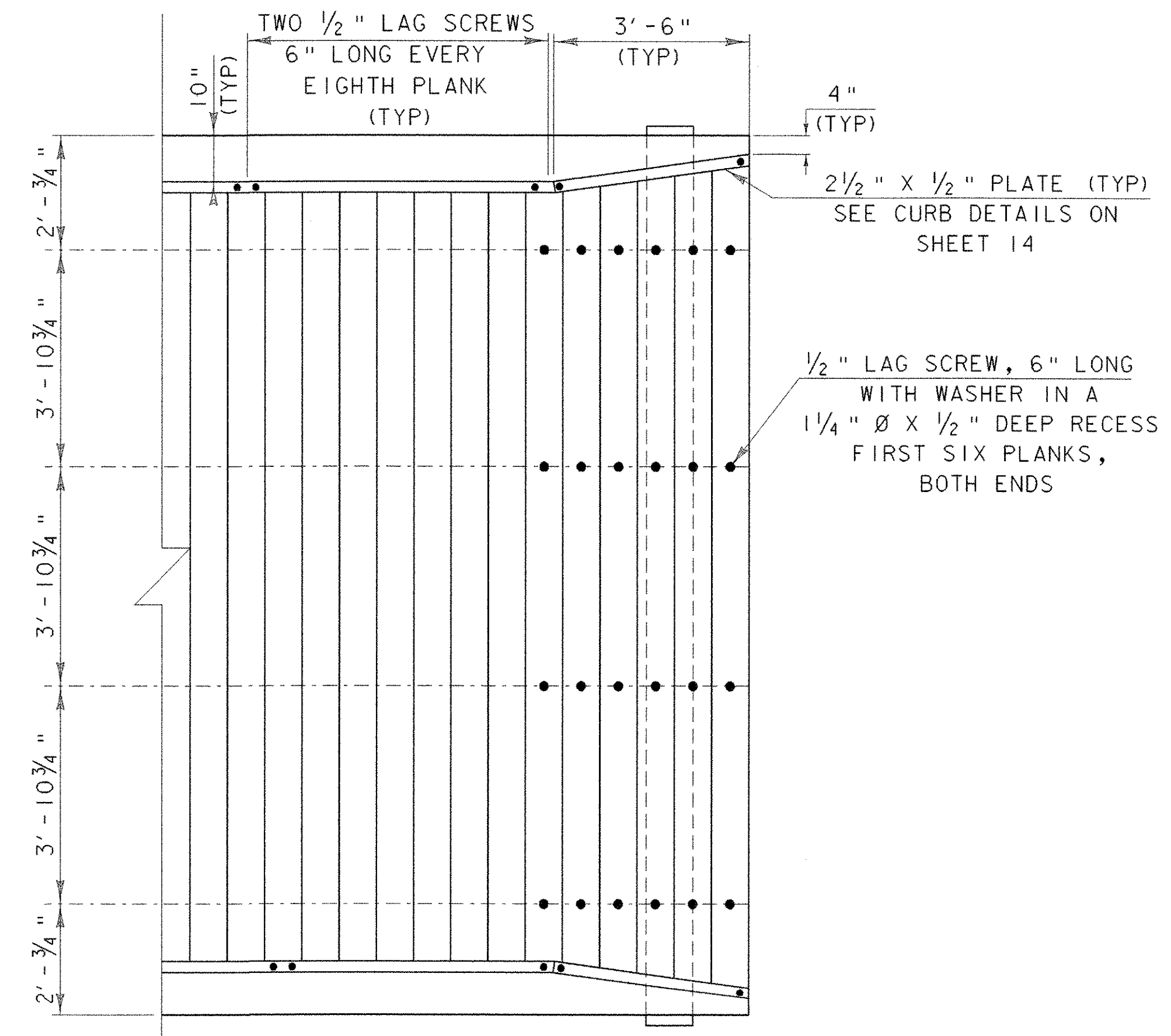
DECK LAYOUT

SCALE $\frac{3}{16}'' = 1'-0$
 1 0 2 4 6 8



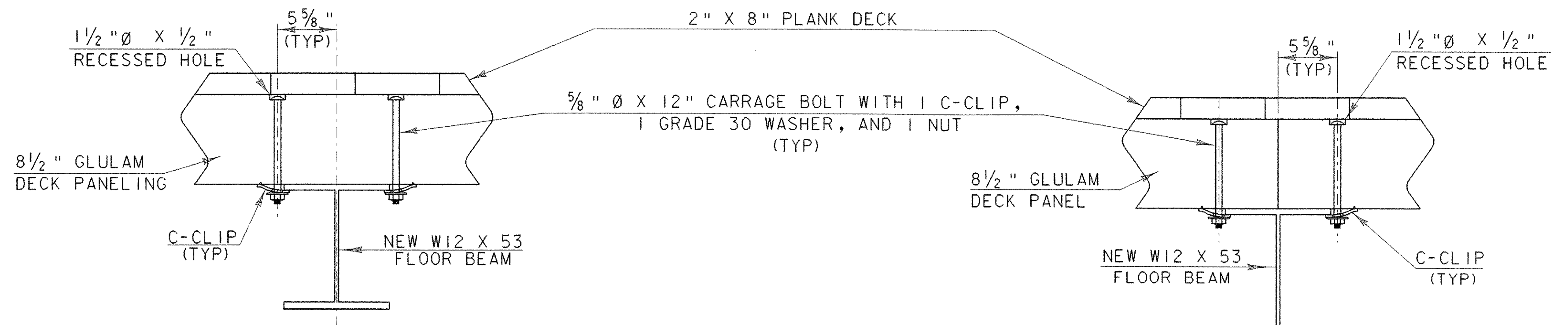
DECK TYPICAL

SCALE $\frac{3}{4}'' = 1'-0$
 0 1 2



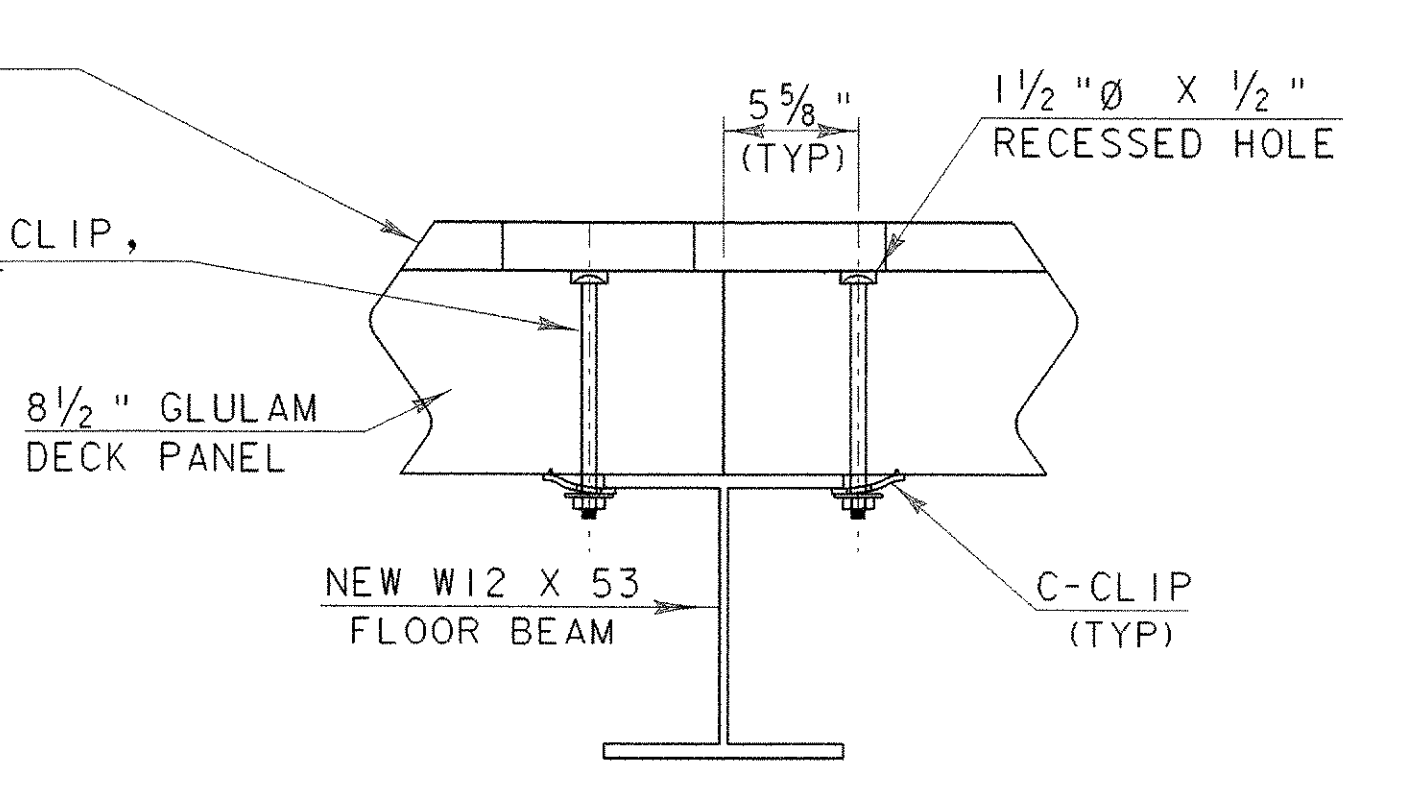
DECK AND CURB DETAIL

SCALE $\frac{1}{2}'' = 1'-0$
 0 1 2



**SECTION B-B
INTERMEDIATE PANEL CONNECTION**

SCALE $1 \frac{1}{2}'' = 1'-0$
 9 6 3 0



**SECTION A-A
CONNECTION AT PANEL JOINT**

SCALE $1 \frac{1}{2}'' = 1'-0$
 1 9 6 3 0

PROJECT: NEW HAVEN-WEYBRIDGE	PROJECT NO.: BHO-BTN 2005 (1)
DESIGN FILE NAME: 89j081/structures/sj081deck.dgn	PLOT DATE: 28-FEB-2007
IPARM FILE NAME: deckplan.i	DESIGNED BY: R. S. YOUNG
SQUAD LEADER: C. P. WILLIAMS	DRAWN BY: D. A. ECKSTEIN
DECK DETAILS SHEET 1	CHECKED BY: R. S. YOUNG
	SHEET: 13 OF 53