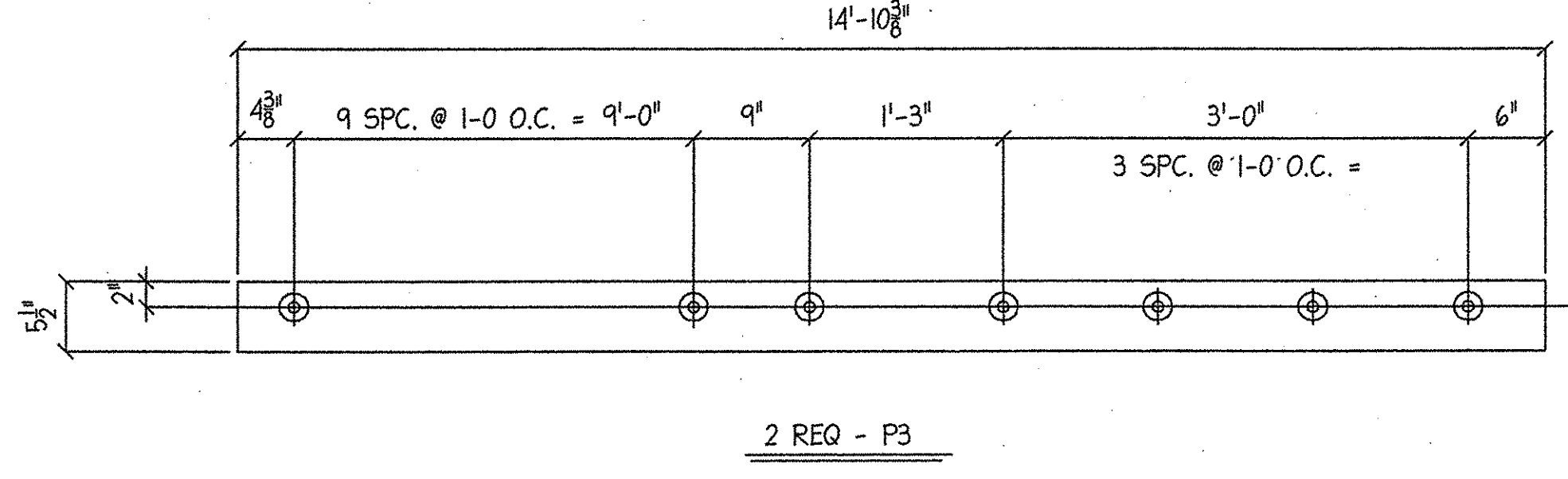
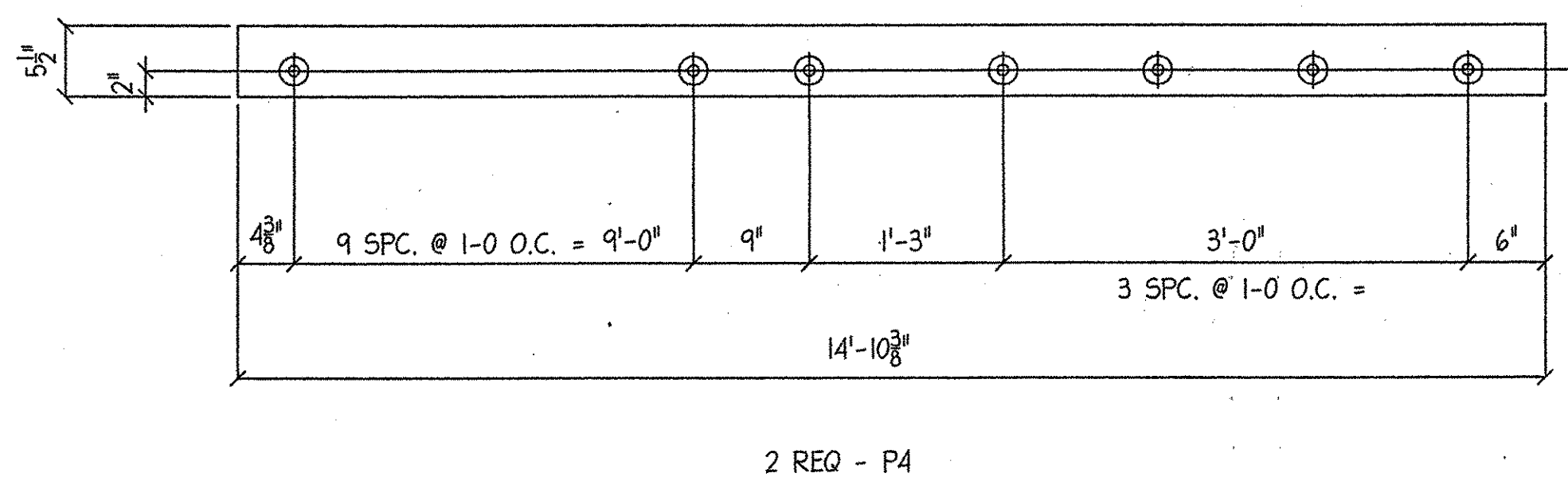


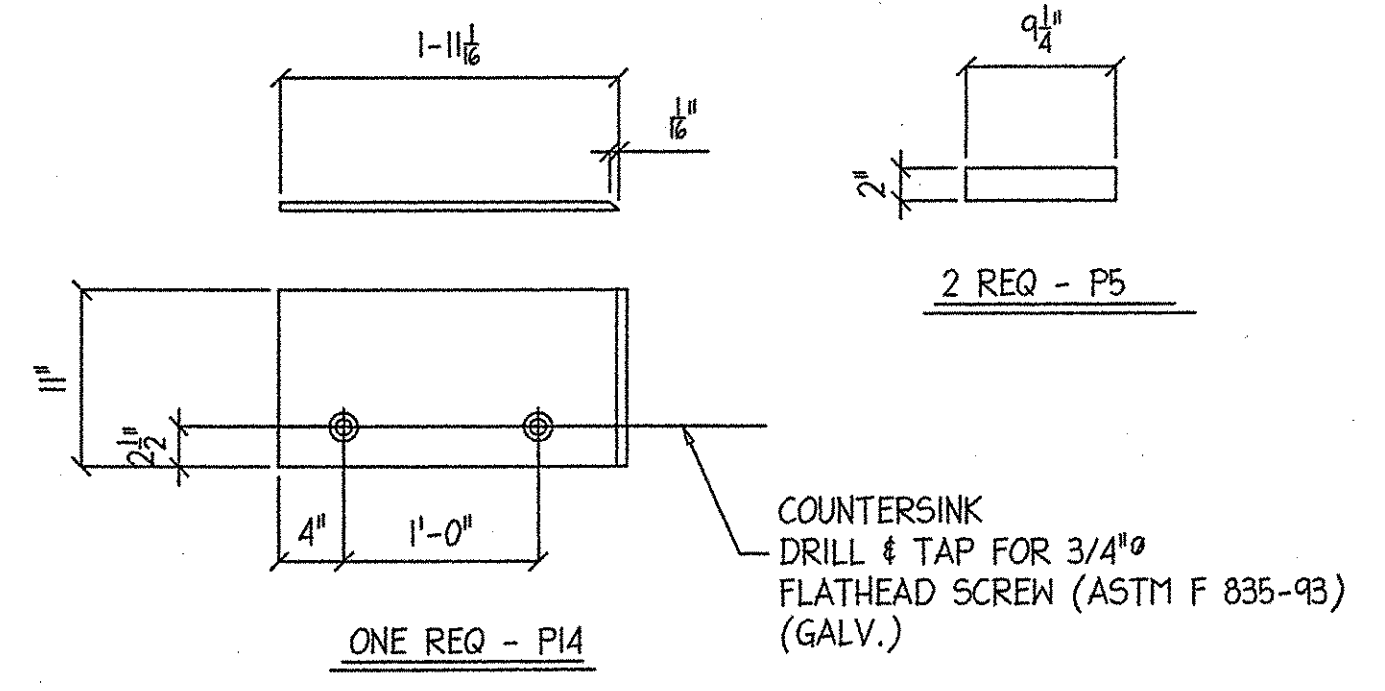
LONG POINT TO LONG POINT @ WORK LINE TO WORK LINE



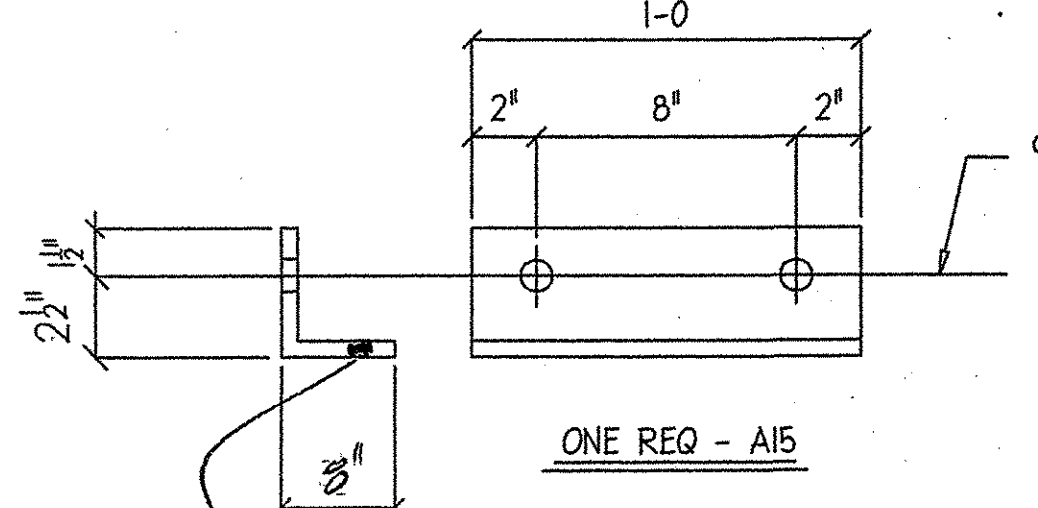
7/8" DIA. HOLES W/ COUNTERBORED HOLE 2 1/4" X 3/4" DEEP



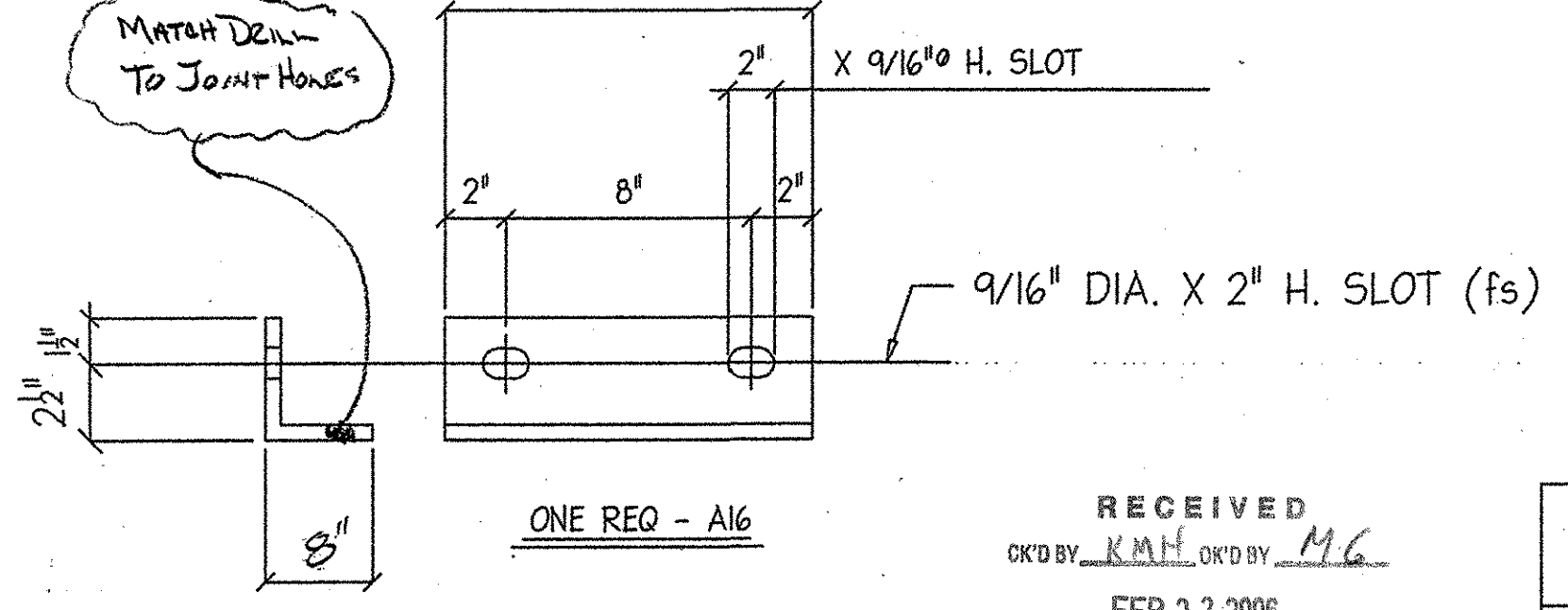
7/8" DIA. HOLES W/ COUNTERBORED HOLE 2 1/4" X 3/4" DEEP



COUNTERSINK DRILL & TAP FOR 3/4" DIA. FLATHEAD SCREW (ASTM F 835-93) (GALV.)

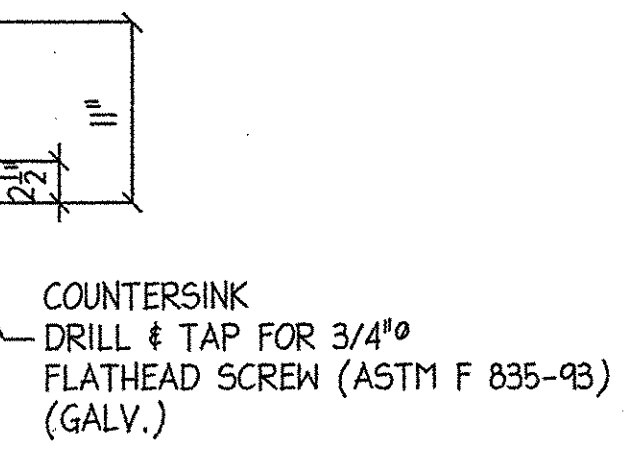


9/16" DIA. HOLE (ns)



9/16" DIA. X 2" H. SLOT (fs)

MATCH DOWN TO JOINT HOLES



COUNTERSINK DRILL & TAP FOR 3/4" DIA. FLATHEAD SCREW (ASTM F 835-93) (GALV.)

BILL OF MATERIAL

QTY	MARK	SHAPE	LENGTH	REMARKS	
1	EJ-1	EXPANSION JOINT		GALV.	
1	A1	L 8 X 4 X 1/2	14	10 1/2	
1	A2	L 8 X 4 X 1/2	14	10 1/2	
1	A3	L 8 X 4 X 1/2	14	10 1/2	
1	A4	L 8 X 4 X 1/2	14	10 1/2	
2	A5	L 8 X 4 X 1/2	1	11 5/16	
2	A6	L 8 X 4 X 1/2	1	11 5/16	
1	A7	L 4 X 4 X 1/2	1	9 3/16	
1	A8	L 4 X 4 X 1/2	1	9 3/16	
1	A9	L 5 X 4 X 1/2	1	9 7/8	
1	A10	L 5 X 4 X 1/2	1	9 7/8	
1	A11	L 4 X 4 X 1/2	1	9 3/16	
1	A12	L 4 X 4 X 1/2	1	9 3/16	
1	A13	L 5 X 4 X 1/2	1	9 7/8	
1	A14	L 5 X 4 X 1/2	1	9 7/8	
8	A15	L 4 X 3/8 X 1/2	1	0	
8	A16	L 4 X 3/8 X 1/2	1	0	
4	P1	PL 1/2" X 8"	0	9	
16	S1	3/4" STUDS	0	10	
8	B1	PL 1/2" X 8"	0	10	
8	P2	PL 1/2" X 6"	0	10	
32	R1	1" THRD. ROD	0	6	
64	P17	PL 3/8" X 3"	0	3	
2	P3	PL 1 1/4" X 5 1/2"	14	10 3/8	
2	P4	PL 1 1/4" X 5 1/2"	14	10 3/8	
16	S1	3/4" STUD	0	10	STR.
16	S2	3/4" STUD	0	10	BENT
8	S3	3/4" STUD	0	7	STR.
2	P5	PL 1/2" X 2"	0	10 1/2	Not Drawn
2	P6	PL 1/2" X 2"	1	11 1/16	
2	P7	PL 1/2" X 2"	0	9 5/8	
2	P8	PL 1/2" X 9 1/4"	1	11	
2	P9	PL 1/2" X 4"	1	9 1/8	
2	P10	PL 1/2" X 4"	0	9 5/8	
2	P11	PL 1/2" X 9 1/4"	0	11	
2	P12	PL 1/2" X 9 1/4"	1	11	
2	P13	PL 1/2" X 4"	1	8 7/8	
2	P14	PL 1/2" X 11"	1	11 1/16	
2	P15	PL 1/2" X 11"	1	11 1/16	
2	P16	PL 1/2" X 9 3/8"	0	11	
FIELD BOLTS					
2	3/4" DIA. X 1 1/4" FLATHEAD COUNTERSUNK CAP SCREW ( GALV )				
ASTM F 835-93					
8	3/4" DIA. X 2" ANCHOR THREADED FERRULE ( @ CURB )				
65	3/4" DIA. X 2" ANCHOR THREADED FERRULE ( @ CURB )				
20	3/4" DIA. X 2 1/4" A325 BOLTS ( @ SHIPPING DEVICE )				

HARTFORD, VT.  
PROJECT NO. = BRO-BTN 2004 (1)

RECEIVED  
OK'D BY: K.M.H. OK'D BY: M.G.  
FEB 22 2006  
RESUBMIT APPROVED BY: CPW DATE 3/1/06

EXPANSION JOINT (EJ-1) @ ABUTMENT 'A'	
DATE SUB.	PROJECT HARTFORD, VT. BRIDGE
LOCATION	HARTFORD, VT.
DATE APP.	ARCHITECT
DATE APP.	ENGINEER
DATE DIST.	CUSTOMER F.W. WHITCOMB
DR BY	KJM
REV BY	
JOB NO.	0642
DWG NO.	F1

REV. NO.	DATE	DESCRIPTION
1	2/13	PER ENL
HOLES: 13/16" (U.N.O.) DATE: 1-17-06		
PAINT: GALVANIZED		

MERRIMACK SHEET METAL  
119 HALL ST.  
CONCORD, N.H., 03301  
TEL. (603) 224-7766  
FAX. (603) 224-7925