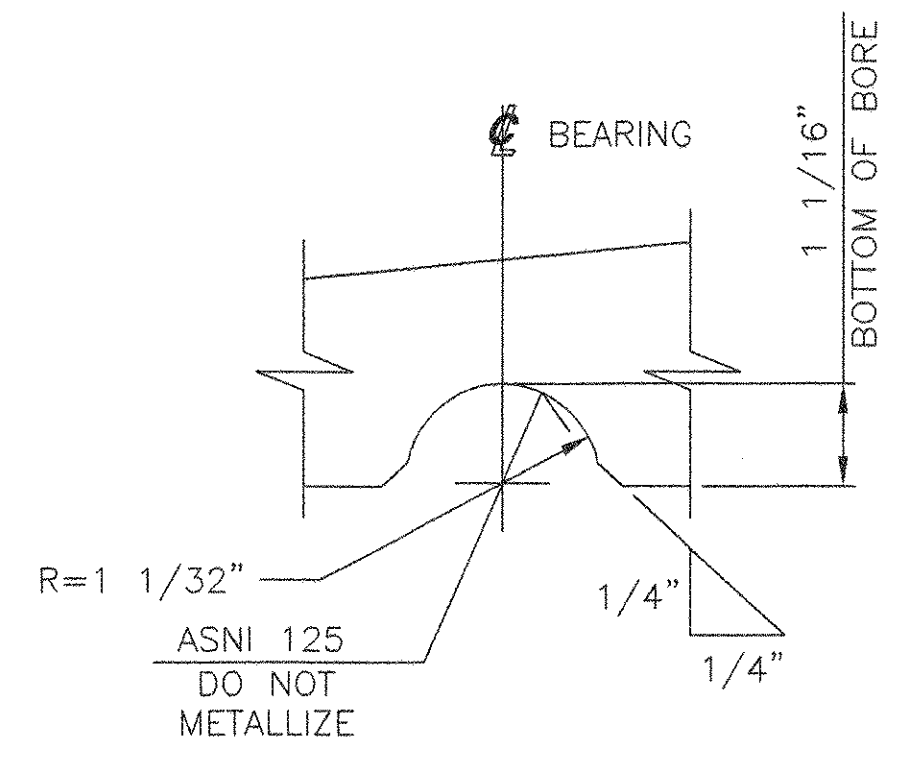
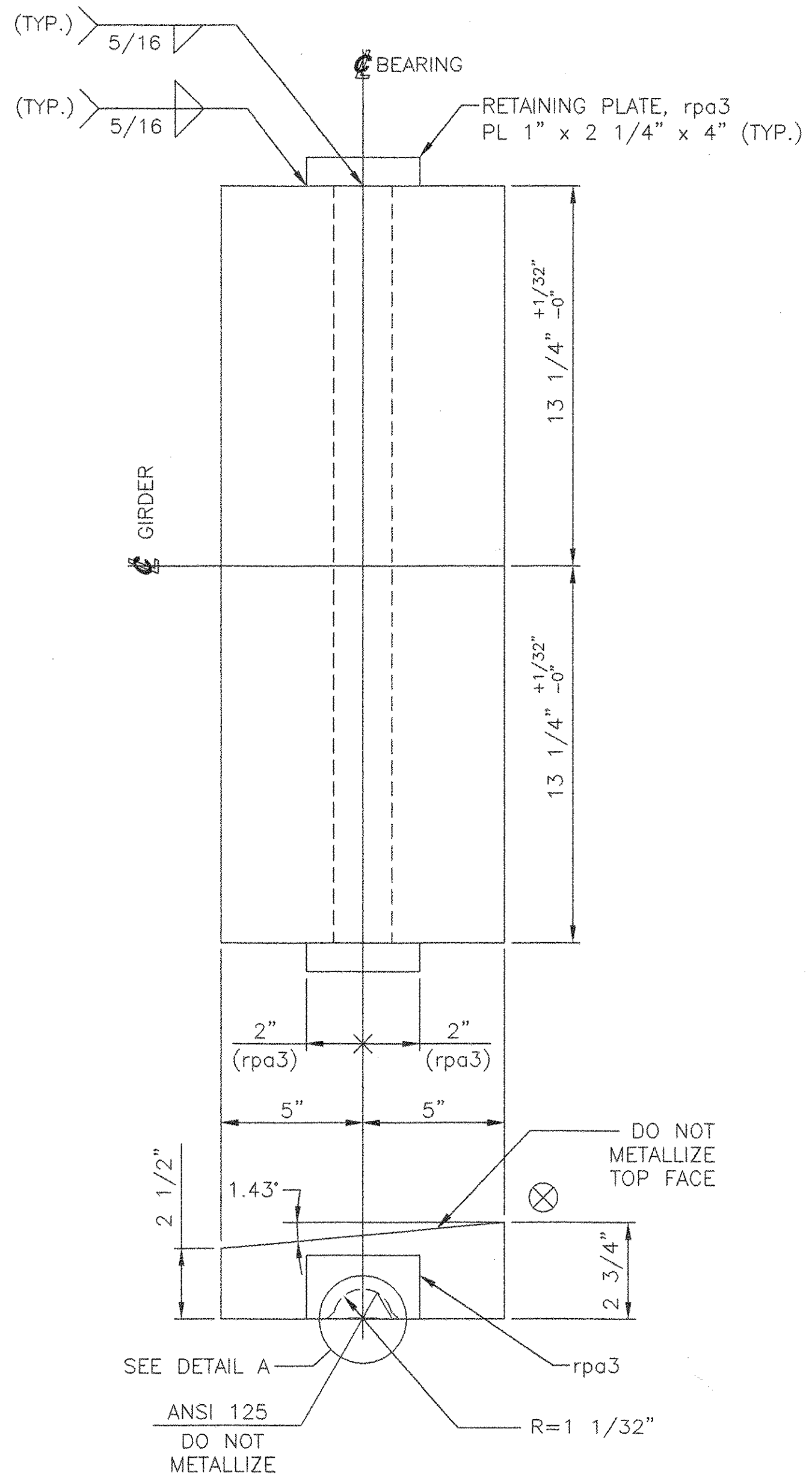


MARK	QTY	DESCRIPTION	IN	16ths	FAB MARK	MILL MARK	WEIGHT
SP2	4	PL 2 3/4" x 10"	26	8		METALLIZED	827
	8	PL 1" x 2 1/4"	4	0	rpa3	METALLIZED	20
BA1	4	PL 2 1/2" x 18"	38	0		METALLIZED	1940
	4	PL 2" x 4"	26	0	wpa3	METALLIZED (AS NOTED)	236
	8	PL 1" x 2 1/4"	10	0	epa3	METALLIZED	51
	16	PL 1" x 2 1/4"	4	0	spa3	METALLIZED	20

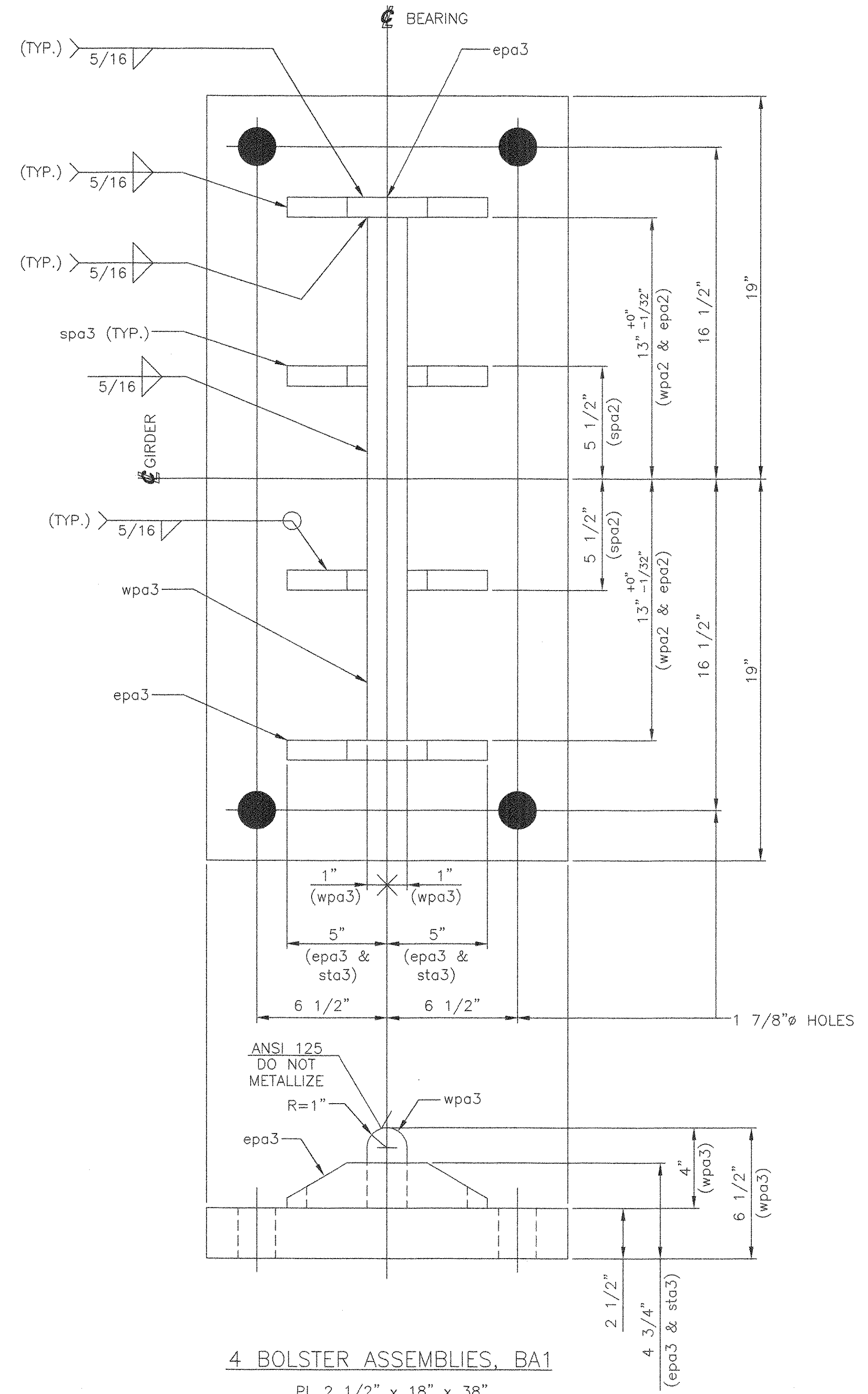
TOTAL = 3094



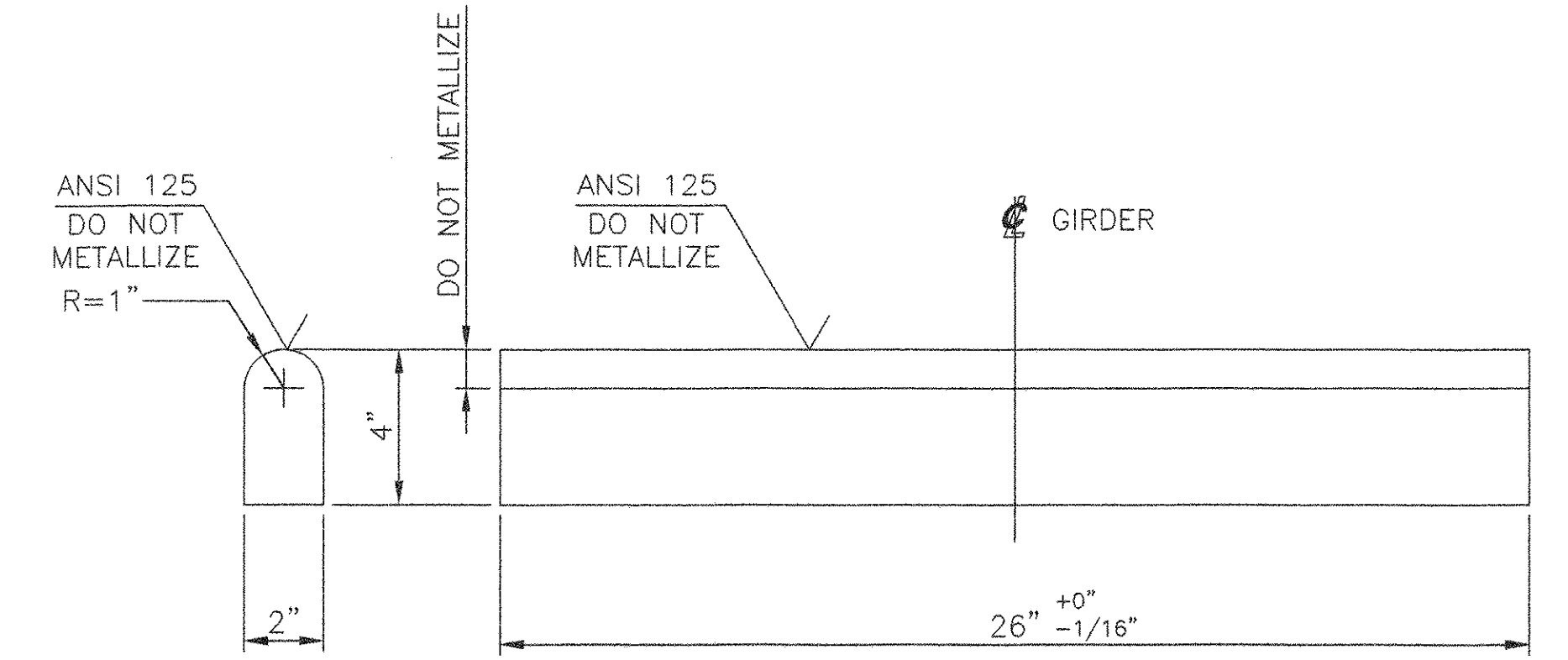
DETAIL A



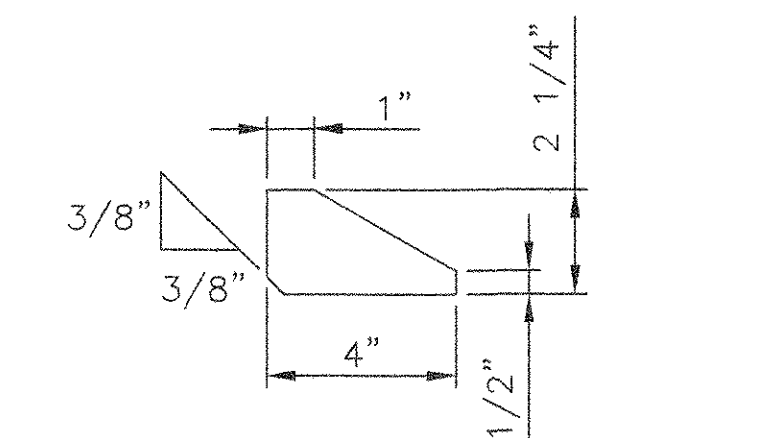
4 FIXED SOLE PLATES, SP2
 PL 2 3/4" x 10" x 26 1/2"
 (METALLIZED AS NOTED)
 USE WITH
 FIXED BEARING ASSEMBLY FBA-1
 SOLE PLATE TO BE FIELD WELDED TO GIRDER.
 DO NOT METALLIZE TOP FACE.



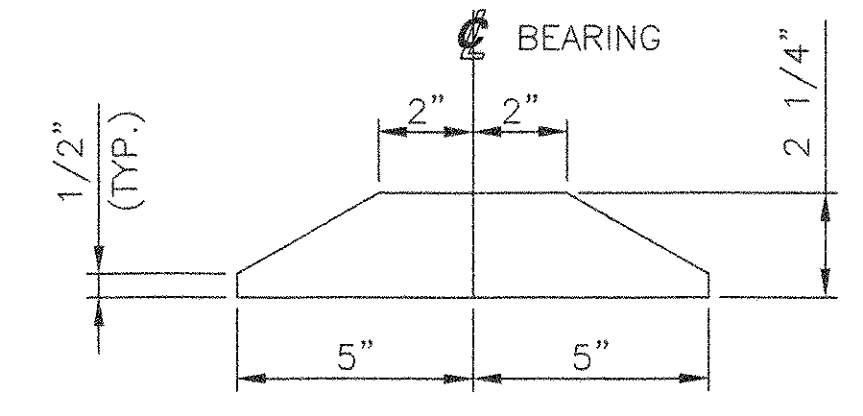
4 BOLSTER ASSEMBLIES, BA1
 PL 2 1/2" x 18" x 38"
 (METALLIZED AS NOTED)
 USE WITH
 FIXED BEARING ASSEMBLY, FBA-1



4 WEB PLATES, wpa3
 PL 2" x 4" x 26"
 (METALLIZED AS NOTED)
 USE WITH
 BOLSTER ASSEMBLY, BA1



16 STIFFENER PLATES, sta3
 PL 1" x 2 1/4" x 4"
 (METALLIZED)
 USE WITH
 BOLSTER ASSEMBLY, BA1



8 END PLATES, epa3
 PL 1" x 2 1/4" x 10"
 (METALLIZED)
 USE WITH
 BOLSTER ASSEMBLY, BA1

SEE SHEET AS1 FOR ASSEMBLY NOTES.
 SEE SHEET I FOR SHOP NOTES.

VERMONT
 AGENCY OF TRANSPORTATION

HARTFORD
 PROJ. NO. BRO-BTN 2004(1)

COSMEC, INC. 70 SOUTH STREET
 WALPOLE, MA. 02081

RECEIVED
 CK'D BY: KMH OK'D BY: HJS
 OCT 27 2005
 RESUBMIT: _____ APPROVED: As Noted
 BY: CPW DATE: 11/2/05

SCALE: 1/4" = 1"	DRAWN BY: JEP	CHECKED BY: PJM
SHEET: 3 OF 4	DATE: 10/05	DATE: 10/05
COSMEC BEARINGS		
REV. ---	BY: ---	DATE: ---
CUSTOMER: F. W. WHITCOMB	S.O. NUMBER: 60423	DRAWING NUMBER: 4519
		REV. 0

REV.	BY	DATE	CHK'D BY	DATE	CUSTOMER	S.O. NUMBER	DRAWING NUMBER	REV.
---	---	---	---	---	F. W. WHITCOMB	60423	4519	0