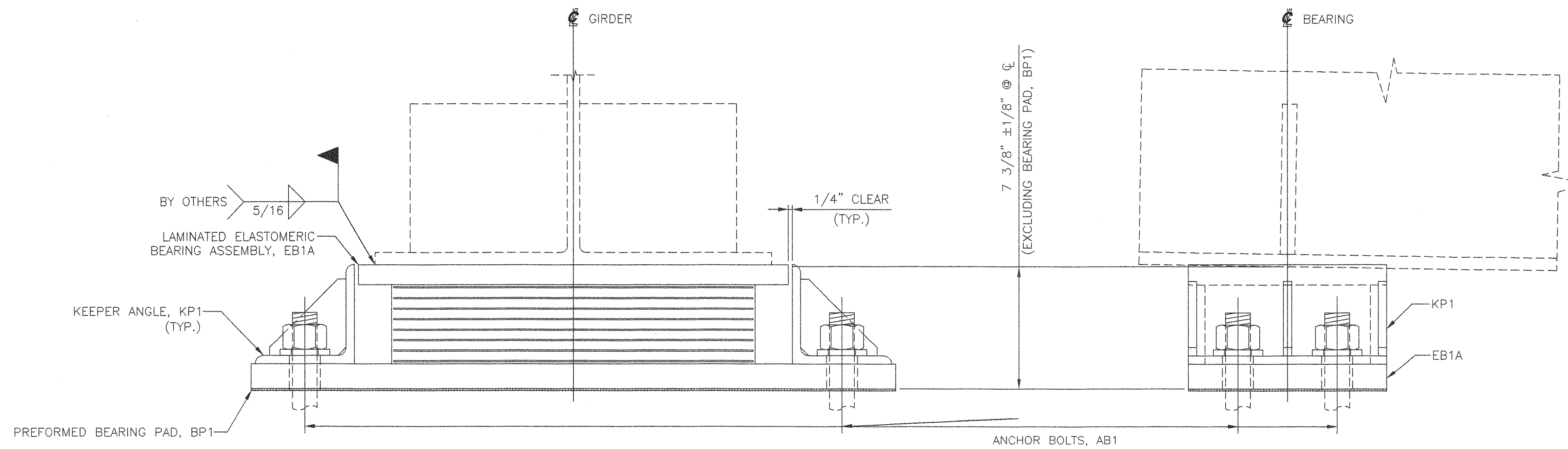
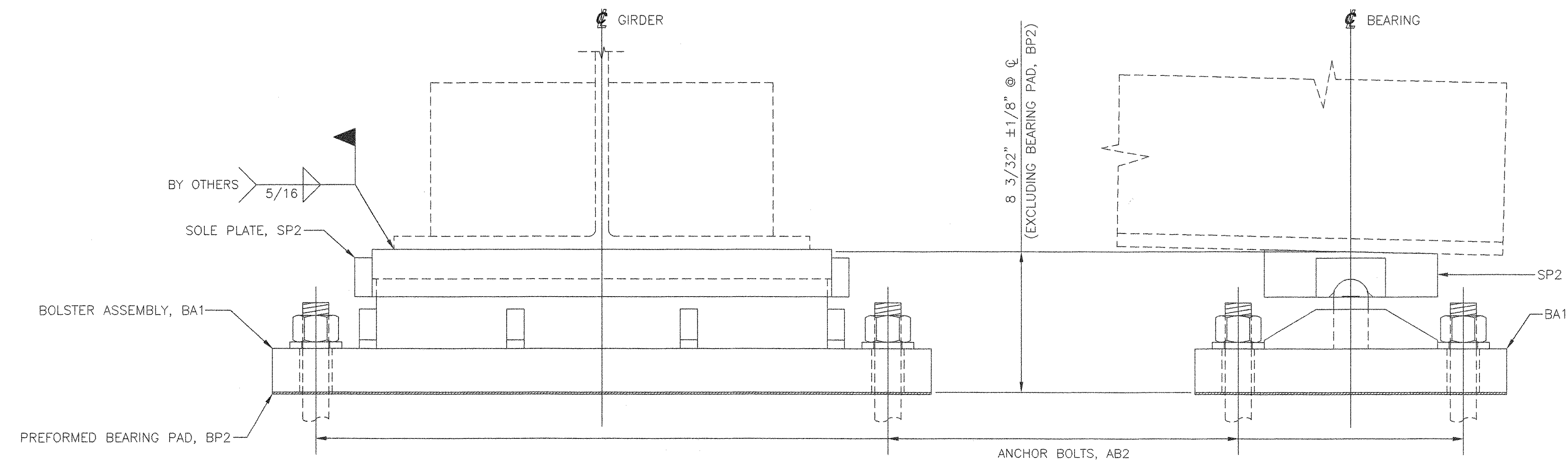


10/28/05



4 EXPANSION BEARING ASSEMBLIES, EB1-A

LOCATE AT  
PIER 1



4 FIXED BEARING ASSEMBLIES, FBA-1

LOCATE AT  
PIER 2

ASSEMBLY AND INSTALLATION NOTES:

1. ALL COMPONENTS SHALL BE ASSEMBLED AND SHIPPED AS AN ASSEMBLY AS MUCH AS PRACTICAL.
2. THE CONTRACTOR IS SOLEY RESPONSIBLE FOR THE CORRECT ORIENTATION, ALIGNMENT AND MATCHING OF COMPONENTS SHOULD HE ELECT TO DISASSEMBLE THE BEARING ASSEMBLIES FOR ANY REASON.
3. THE CONTRACTOR IS SOLEY RESPONSIBLE FOR THE PROPER PLACEMENT AND SETTING OF THE ANCHOR BOLTS AS REQUIRED BY THE CONTRACT PLANS.
4. AREAS OF METALLIZING DAMAGED BY WELDING AND/OR HANDLING SHALL BE REPAIRED BY METALLIZING IN ACCORDANCE WITH ASTM A760, AT THE CONTRACTOR'S EXPENSE.

SEE SHEET 1 FOR SHOP NOTES.

OFFICE COPY

VERMONT  
AGENCY OF TRANSPORTATION

HARTFORD  
PROJ. NO. BRO-BTN 2004(1)

COSMEC, INC. 70 SOUTH STREET  
WALPOLE, MA. 02081

SCALE: 1/4"=1" DRAWN BY: JEP CHECKED BY: PJM  
SHEET: AS1 OF 1 DATE: 10/05 DATE 10/05

COSMEC BEARINGS

CUSTOMER: F. W. WHITCOMB S.O. NUMBER: 60423 DRAWING NUMBER: 4516 REV: 0

RECEIVED  
DND BY JWC OCT 27 2005  
RESUBMITTED BY CPW 11/2/05

REV.	BY:	DATE	CHK'D BY:	DATE
---	---	---	---	---