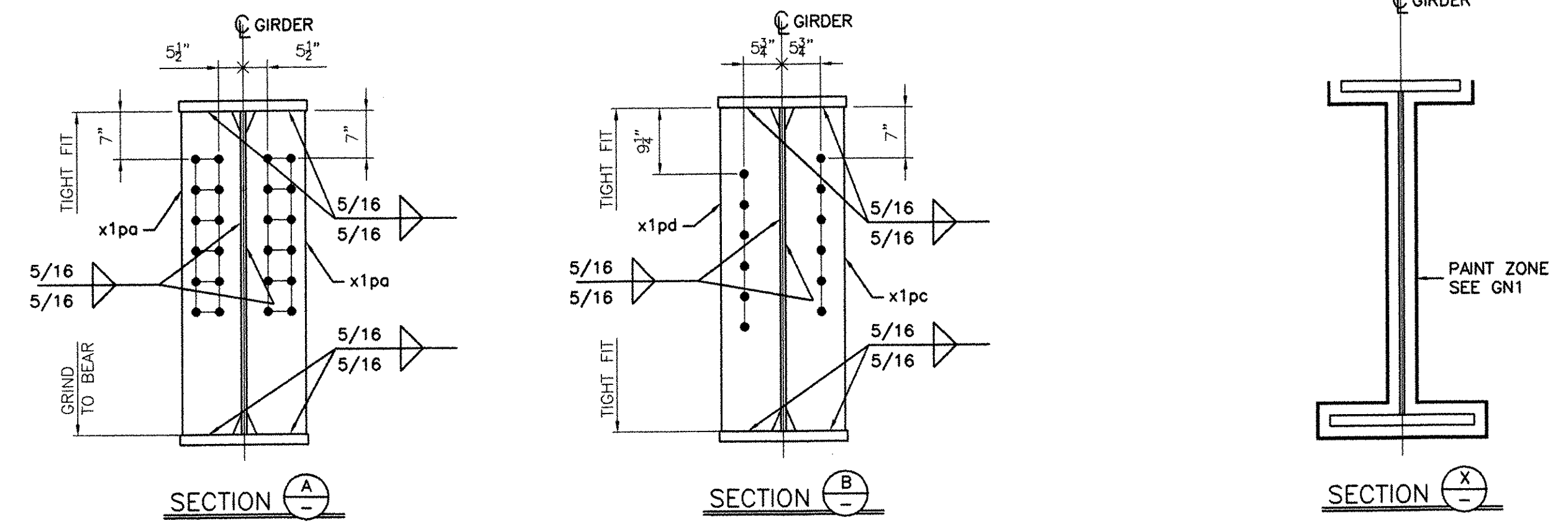


BILL OF MATERIAL										
Drawing Number	Revision Number	Ship Mark	Piece Mark	Qty	Type of Material	Size of Material	Grade	Length	Finish	Notes
3		3G3	wc1a	1	PL Plate	9/16x48	A709-GR50W	70'-9 9/16	CVN	3
3		3G3	wc1b	1	PL Plate	9/16x48	A709-GR50W	80'-10 7/8	CVN	4
3		3G3	tf1a	1	PL Plate	1 1/2x24	A709-GR50W	48'-7		1
3		3G3	tf1b	1	PL Plate	1 1/2x24	A709-GR50W	54'-4		2
3		3G3	tf1c	1	PL Plate	1 1/2x24	A709-GR50W	48'-8 3/4		1
3		3G3	bf1a	1	PL Plate	1x24	A709-HPS70W	30'-8 1/2	CVN	7
3		3G3	bf1b	1	PL Plate	2x24	A709-HPS70W	46'-0	CVN	6
3		3G3	bf1c	1	PL Plate	2x24	A709-HPS70W	44'-0 3/8	CVN	5
3		3G3	bf1d	1	PL Plate	1x24	A709-HPS70W	30'-8 7/8	CVN	7
3		3G3	x1pa	4	PL Plate	7/8x11 1/2	A709-GR50W	4'-0		8
3		3G3	x1pc	7	PL Plate	1/2x11 1/2	A709-GR50W	4'-0		9
3		3G3	x1pd	7	PL Plate	1/2x11 1/2	A709-GR50W	4'-0		9



- NOTES:
- 1- GENERAL NOTES: SEE GN1
 - 2- PAINT: SEE GN1
 - 3- HOLES: 1"Ø
 - 4- FOR WEB & FLANGE DETAILS, SEE WC1

RECEIVED

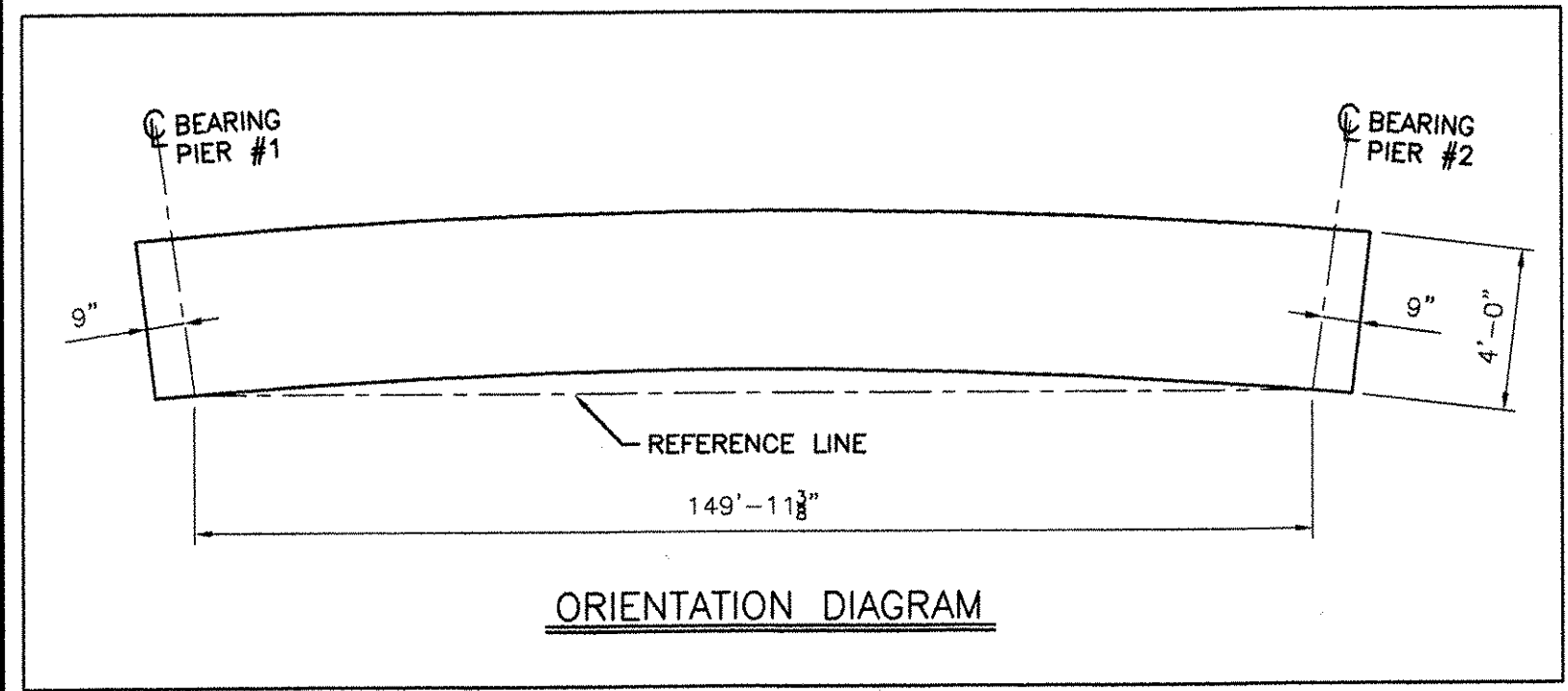
OK'D BY: OK'D BY:

SEP 20 2005

RESUBMIT: APPROVED:

BY: OPW DATE: 10/31/05

RESERVED FOR STAMPS



NOTICE

This drawing shall not be used or reproduced in any manner, nor shall any similar drawings or structures be made therefrom, nor shall the information thereon be used for any purpose other than that for which it is released without the written consent of an officer of EASTERN BRIDGE LLC.

EASTERN BRIDGE LLC RURAL RTE 2, BOX 302 CLAREMONT, NH 03743 603-542-5202			
PROJECT: BRIDGE 8 OVER THE WHITE RIVER, PROJECT NO BRO-BTN 2004(1)	LOCATION: TOWN OF HARTFORD, COUNTY OF WINDSOR, VERMONT	ENGINEER: STATE OF VERMONT, AGENCY OF TRANSPORTATION	CUSTOMER: FW WHITCOMB CONSTRUCTION CO.
DRAWING TITLE: GIRDER 3G3	DRAWN BY: YJ	06/06/05	JOB
CHECKED BY: GG	06/06/05	NUMBER: 6005	SHEET NUMBER: 3