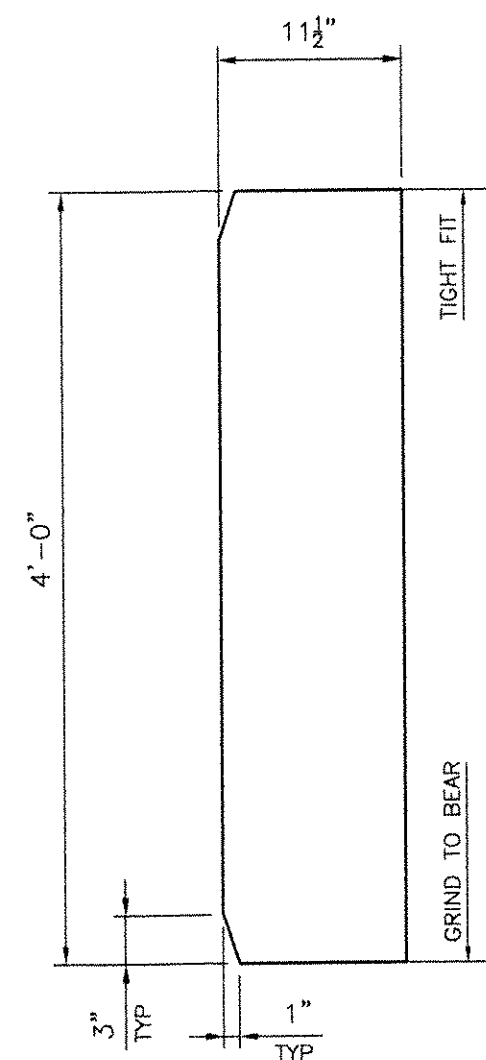
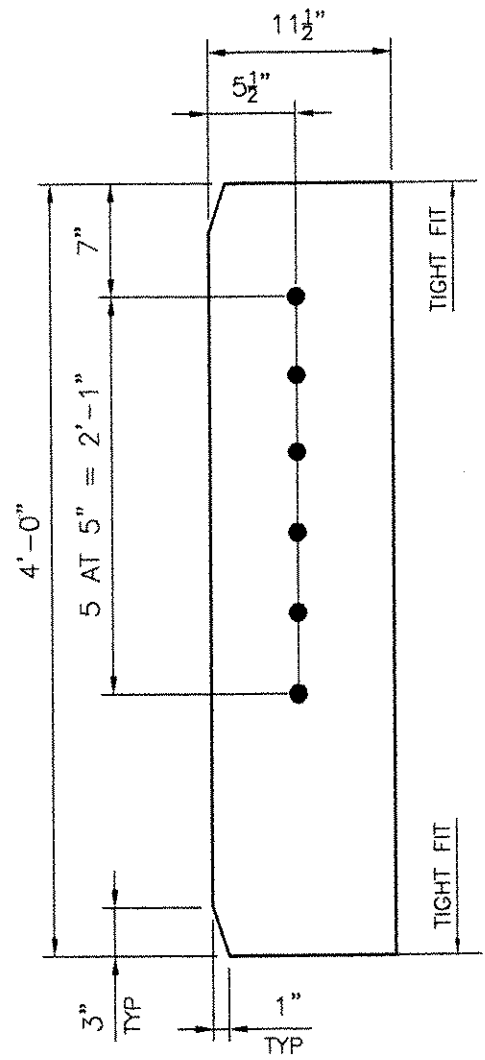


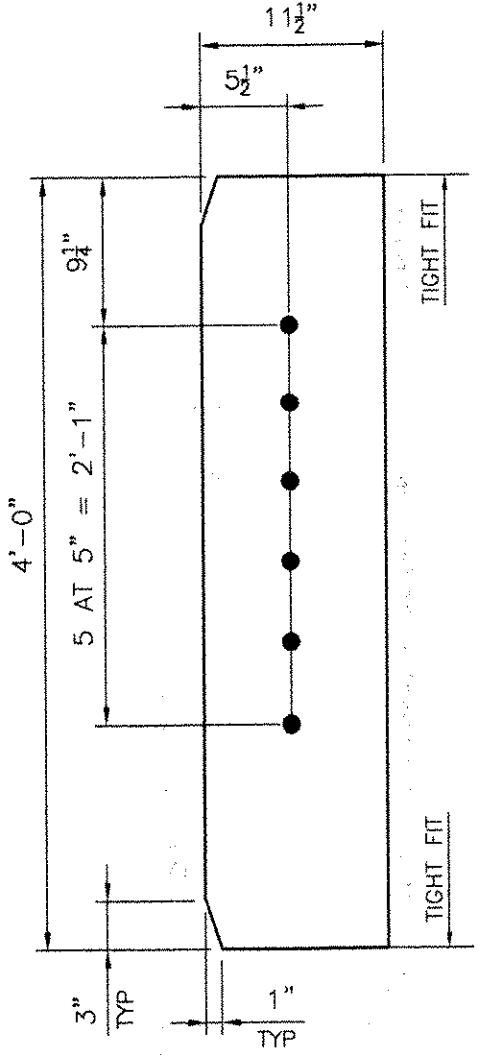
ITEM x1pa (12 REQ'D)  
(PL 7/8 x 11 1/2 x 4'-0)  
(ABM #8)



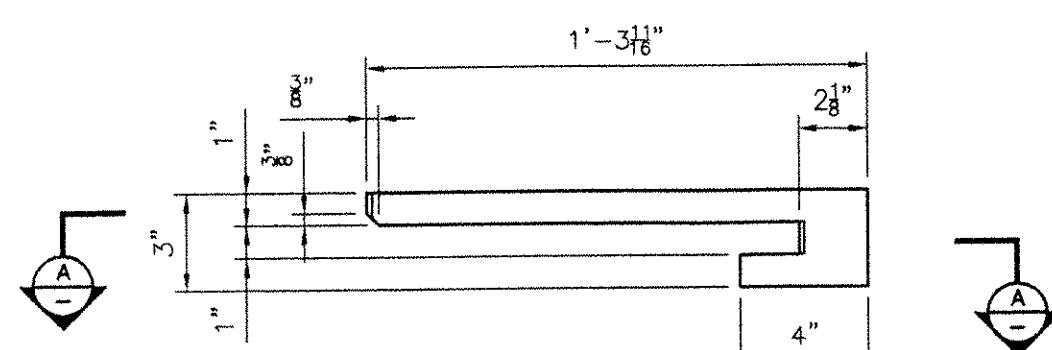
ITEM x1pb (4 REQ'D)  
(PL 7/8 x 11 1/2 x 4'-0)  
(ABM #8)



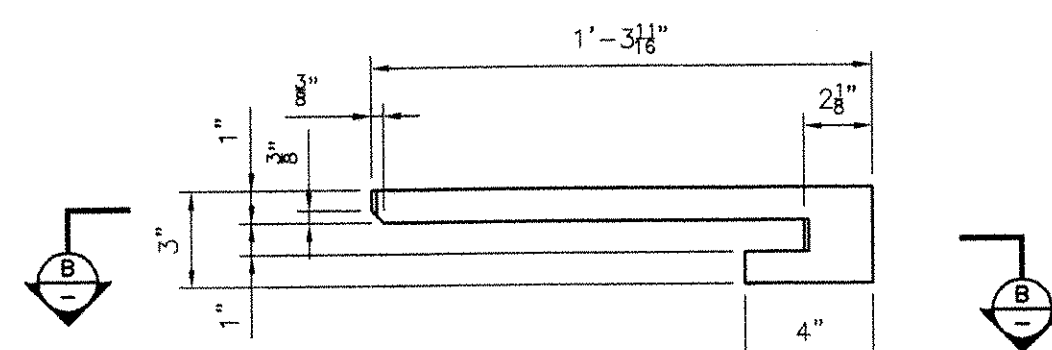
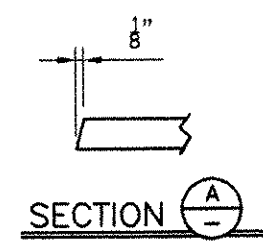
ITEM x1pc (28 REQ'D)  
(PL 1/2 x 11 1/2 x 4'-0)  
(ABM #9)



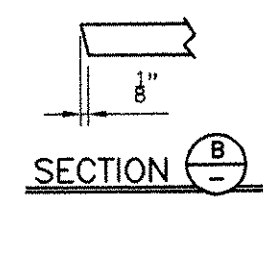
ITEM x1pd (14 REQ'D)  
(PL 1/2 x 11 1/2 x 4'-0)  
(ABM #9)



ITEM x1pf (1 REQ'D)  
(PL 1/4 x 3 x 1'-3 11/16)  
(ABM #10)



ITEM x1pg (1 REQ'D)  
(PL 1/4 x 3 x 1'-3 11/16)  
(ABM #10)



NOTES:  
1- GENERAL NOTES: SEE GN1  
2- HOLES: 1"ø

RECEIVED

OK'D BY:                      OK'D BY:                     

SEP 20 2005

RESUBMIT:                      APPROVED:                     

BY: CPW DATE: 10/31/05

RESERVED FOR STAMPS

REV	DATE	DESCRIPTION	QTY	DATE	ISSUED TO	FOR
8-	9/16/05	Fw Whitcomb			Approval	

**NOTICE**  
This drawing shall not be used or reproduced in any manner, nor shall any similar drawings or structures be made therefrom, nor shall the information thereon be used for any purpose other than that for which it is released without the written consent of an officer of EASTERN BRIDGE LLC.

**tenca**  
1028

**EB LLC**

**EASTERN BRIDGE LLC**  
RURAL RTE 2, BOX 302  
CLAREMONT, NH 03743  
603-542-5202

PROJECT: BRIDGE 8 OVER THE WHITE RIVER, PROJECT NO BRO-BTN 2004(1)  
LOCATION: TOWN OF HARTFORD, COUNTY OF WINDSOR, VERMONT  
ENGINEER: STATE OF VERMONT, AGENCY OF TRANSPORTATION  
CUSTOMER: FW WHITCOMB CONSTRUCTION CO.

DRAWING TITLE: DETAILS

DRAWN BY: YT	06/03/05	JOB		SHEET	
CHECKED BY: GG	06/06/05	NUMBER: 6005		NUMBER: X1	