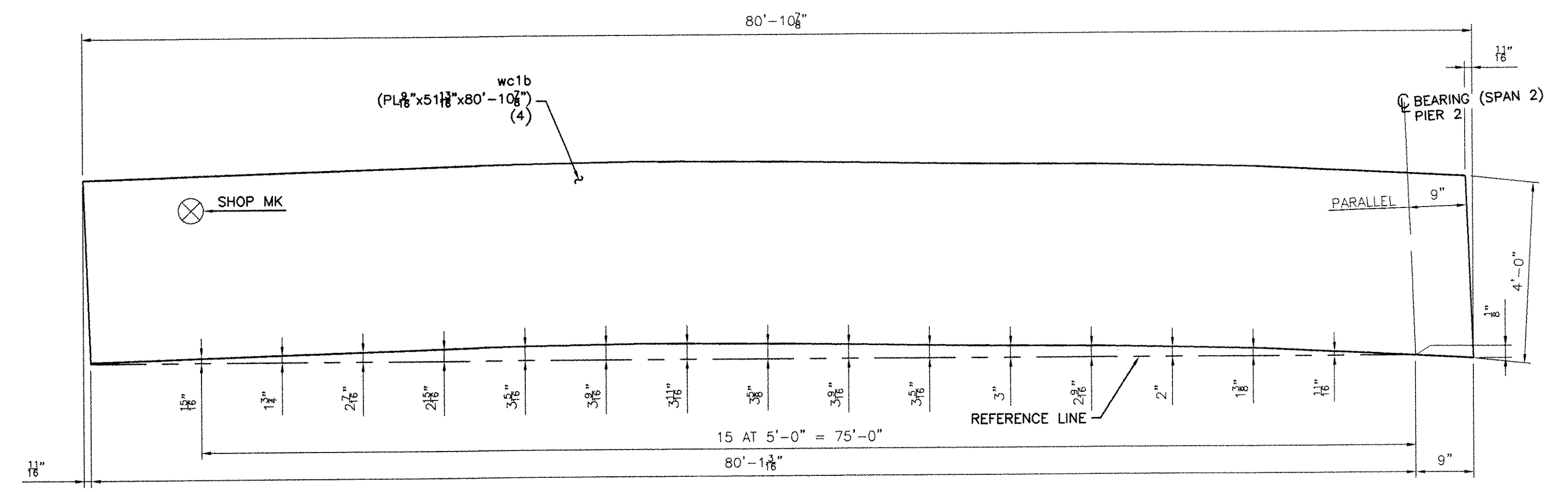
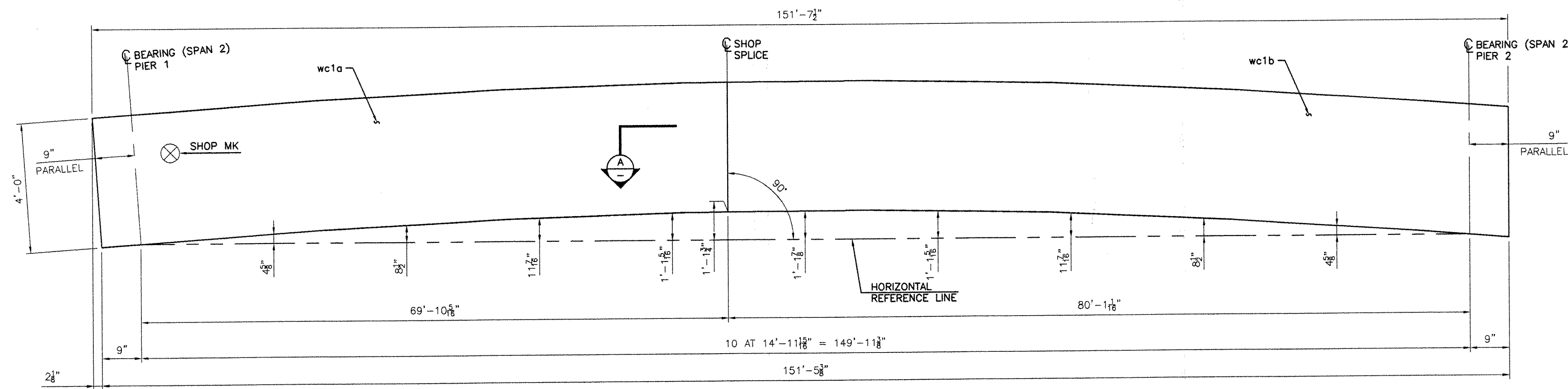


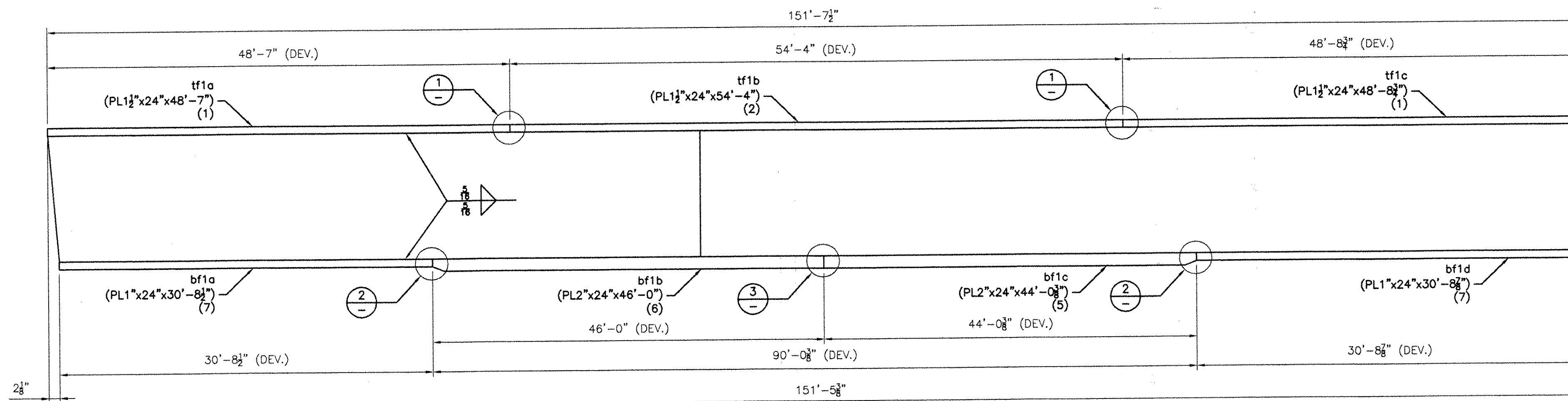
CAMBER DIAGRAM FOR wc1a



CAMBER DIAGRAM FOR wc1b



CAMBER DIAGRAM FOR 1G1 THRU 4G4

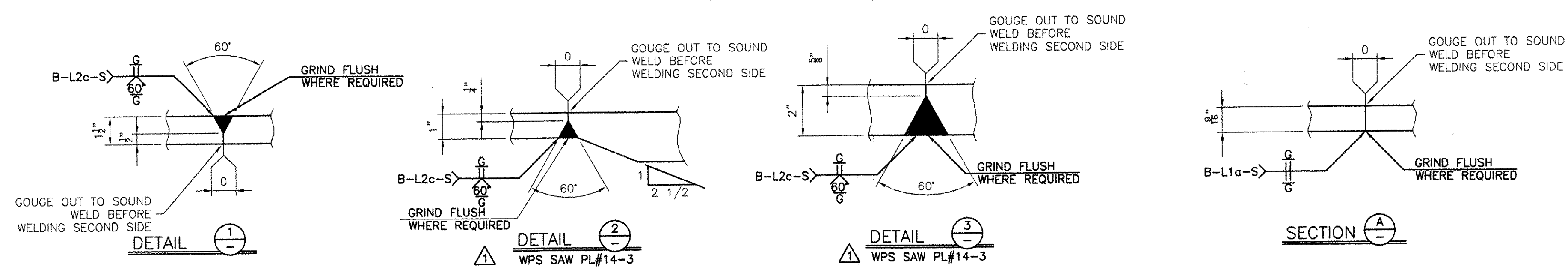


FLANGE DIAGRAM FOR 1G1 THRU 4G4

NOTES:
1- GENERAL NOTES: SEE GN1

RECEIVED
 CK'D BY: _____ OK'D BY: _____
 SEP 20 2005
 RESUBMIT: _____ APPROVED: _____
 BY: *CPW* DATE: *10/31/05*
 RESERVED FOR STAMPS

REV	DATE	DESCRIPTION	QTY	DATE	ISSUED TO	FOR
8	9/16/05	FW Whitcomb				Approval
8	07/14/05	FW WHITCOMB				APPROVAL



NOTICE
 This drawing shall not be used or reproduced in any manner, nor shall any similar drawings or structures be made therefrom, nor shall the information thereon be used for any purpose other than that for which it is released without the written consent of an officer of EASTERN BRIDGE LLC.

EASTERN BRIDGE LLC
 RURAL RTE 2, BOX 302
 CLAREMONT, NH 03743
 603-542-5202

PROJECT: BRIDGE 8 OVER THE WHITE RIVER, PROJECT NO BRO-BTN 2004(1)
 LOCATION: TOWN OF HARTFORD, COUNTY OF WINDSOR, VERMONT
 ENGINEER: STATE OF VERMONT, AGENCY OF TRANSPORTATION
 CUSTOMER: FW WHITCOMB CONSTRUCTION CO.
 DRAWING TITLE: WEB CAMBER AND FLANGE DIAGRAMS

DRAWN BY: GG	06/03/05	JOB NUMBER: 6005	SHEET NUMBER: WC1
CHECKED BY: YT	06/06/05		