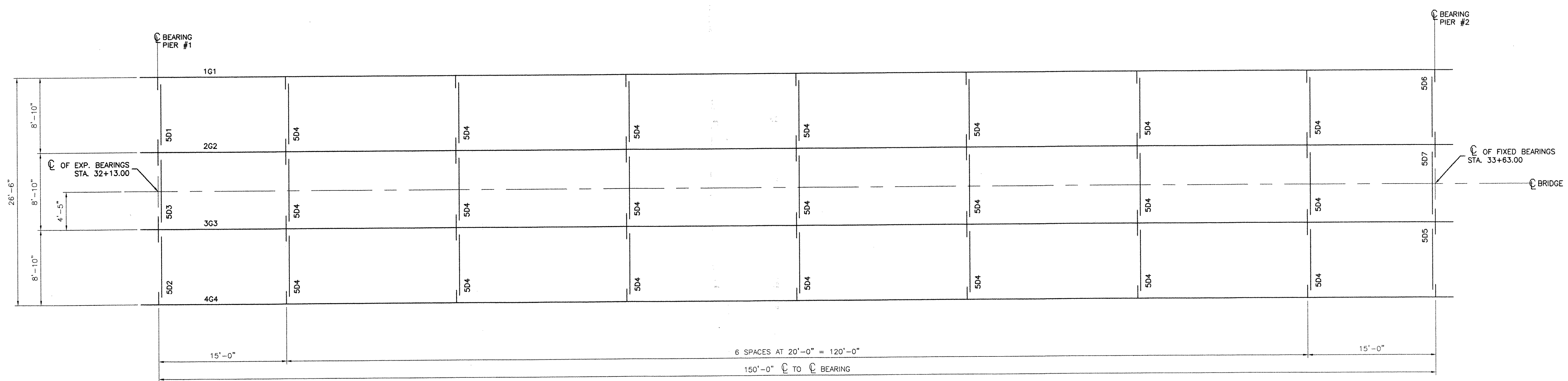
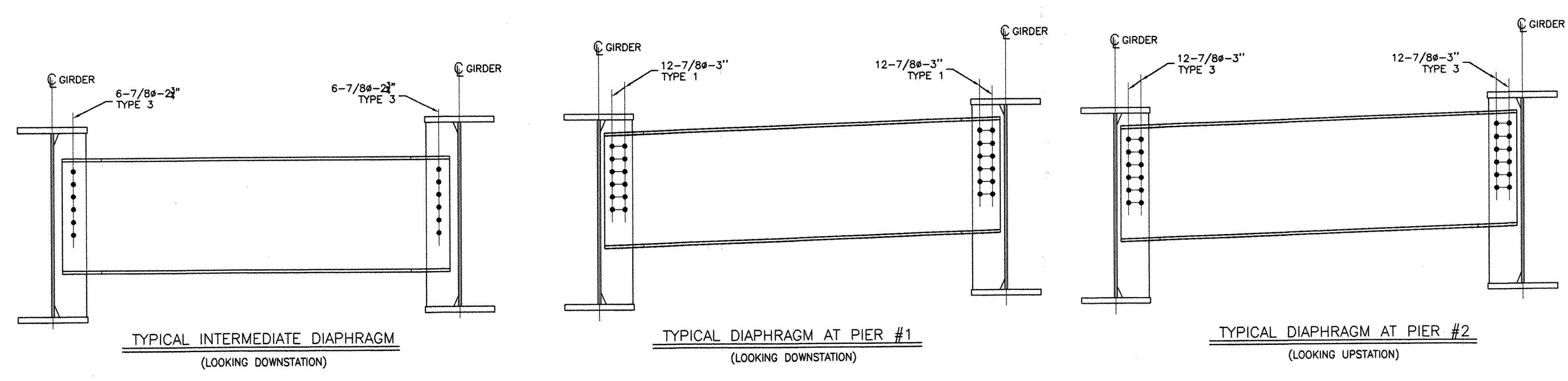


BILL OF MATERIAL										
Drawing Number	Revision Number	Ship Mark	Piece Mark	Qty	Type of Material	Size of Material	Grade	Length	Finish	Notes
E1				252	H.S. BOLT	7/8"	A325-TYPE 3	2 3/4"		
E1				72	H.S. BOLT	7/8"	A325-TYPE 3	3"		
E1				72	H.S. BOLT	7/8"	A325-TYPE 1	3"	GALVANIZED	
E1				324	H. HEX. NUT	7/8"	A563 GRADE DH3			
E1				648	WASHER	7/8"	F436-TYPE 3			
E1				72	H. HEX. NUT	7/8"	A563 GRADE DH		GALVANIZED	
E1				144	WASHER	7/8"	F436		GALVANIZED	



**BRIDGE FRAMING PLAN**

- NOTES:
- 1- GENERAL NOTES: SEE GN1
  - 2- PAINT: SEE GN1
  - 3- HOLES: 15/16" IN DIAPHRAGM MEMBERS & 1" IN STIFFENERS
  - 4- ALL BOLTS ARE COMPLETED WITH ONE (1) HEAVY HEX NUT & TWO (2) HARDENED FLAT WASHERS



RECEIVED  
 OK'D BY: *[Signature]* OK'D BY: *[Signature]*  
 SEP 20 2005  
 RESUBMIT: *[Signature]* APPROVED: *[Signature]*  
 BY: *OPW* DATE: *10/31/05*  
 RESERVED FOR STAMPS

REV	DATE	DESCRIPTION	QTY	DATE	ISSUED TO	FOR
-	-	-	8	9/16/05	FW Whitcomb	Approval

**NOTICE**  
 This drawing shall not be used or reproduced in any manner, nor shall any similar drawings or structures be made therefrom, nor shall the information thereon be used for any purpose other than that for which it is released without the written consent of an officer of EASTERN BRIDGE LLC.

**tenca**  
 1028

**EB**  
 EASTERN BRIDGE LLC  
 RURAL RTE 2, BOX 302  
 CLAREMONT, NH 03743  
 603-542-5202

PROJECT: BRIDGE 8 OVER THE WHITE RIVER, PROJECT NO BRO-BTN 2004(1)  
 LOCATION: TOWN OF HARTFORD, COUNTY OF WINDSOR, VERMONT  
 ENGINEER: STATE OF VERMONT, AGENCY OF TRANSPORTATION  
 CUSTOMER: FW WHITCOMB CONSTRUCTION CO.  
 DRAWING TITLE: BRIDGE FRAMING PLAN  
 DRAWN BY: YT 06/03/05 JOB  
 CHECKED BY: GG 06/06/05 NUMBER: 6005 SHEET NUMBER: E1