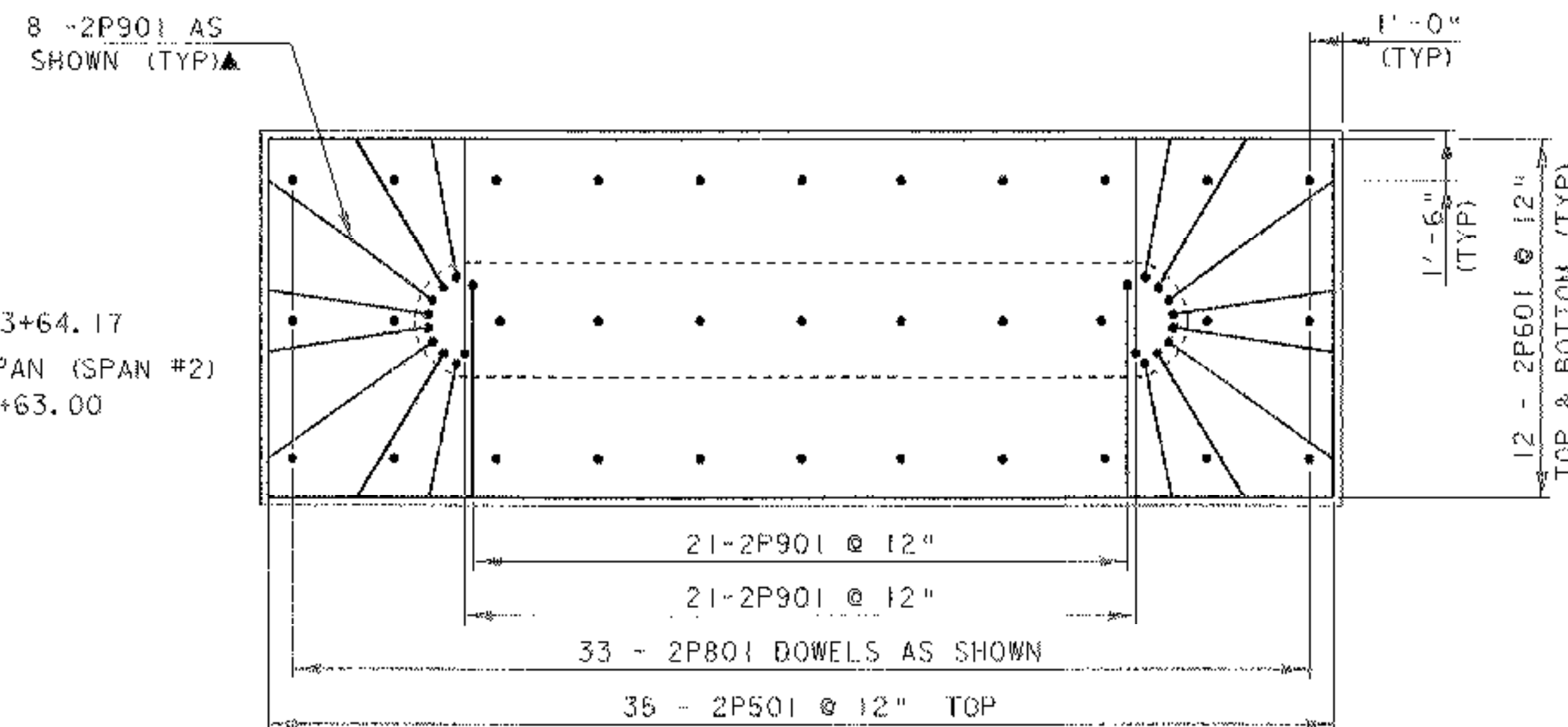
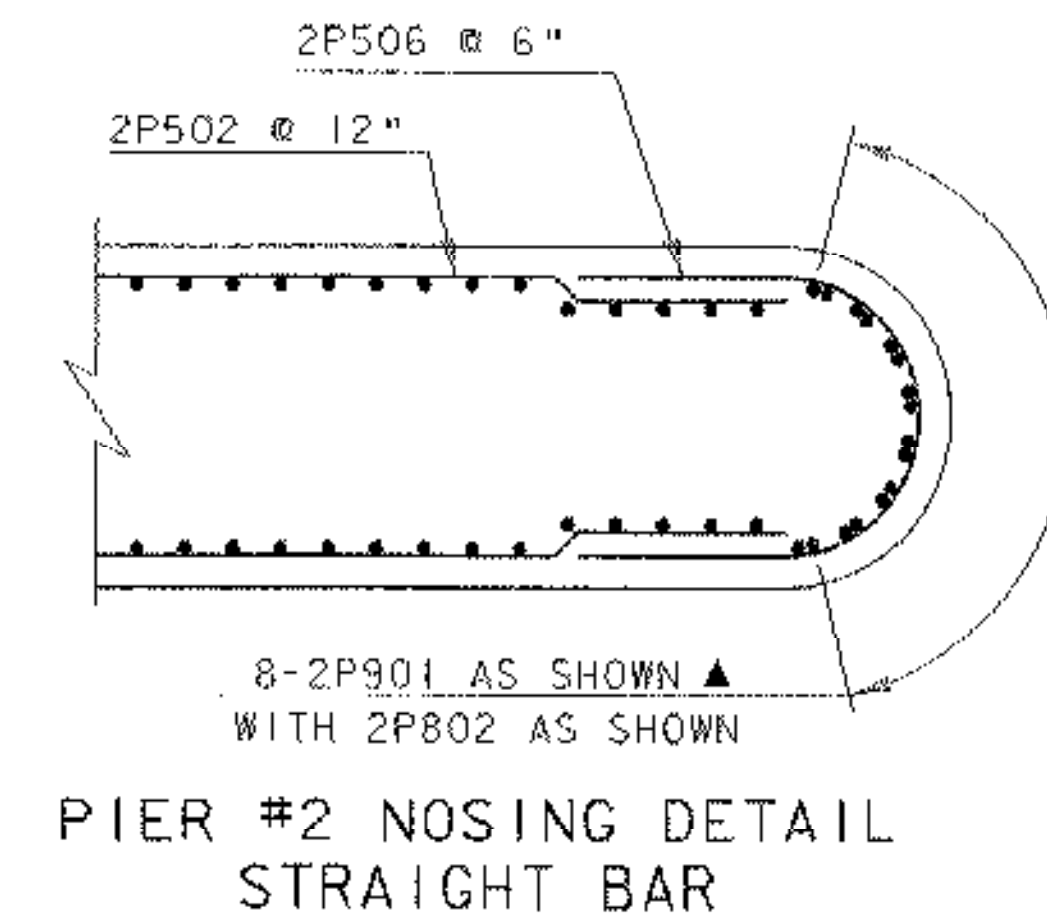


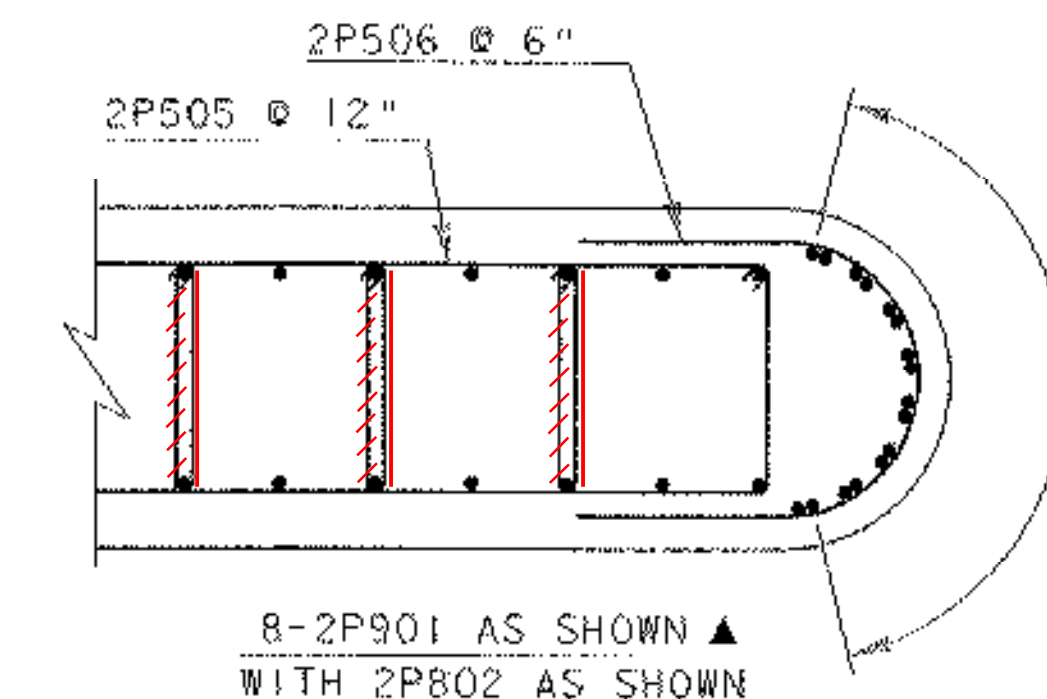
**PIER #2 PLAN**  
SCALE: 1/4" = 1'-0"



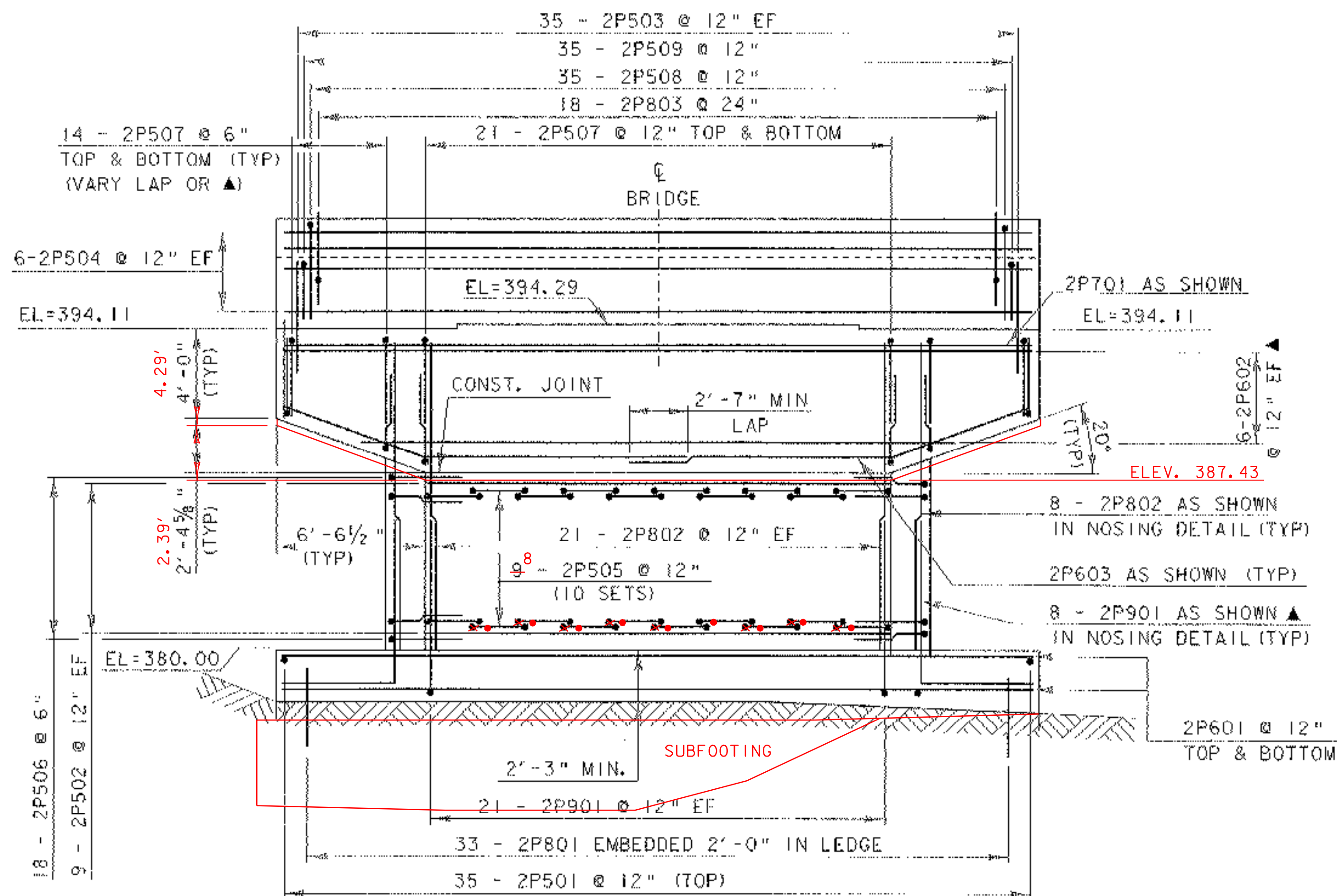
**PIER #2 FOOTING REINFORCING PLAN**  
SCALE: 1/4" = 1'-0"



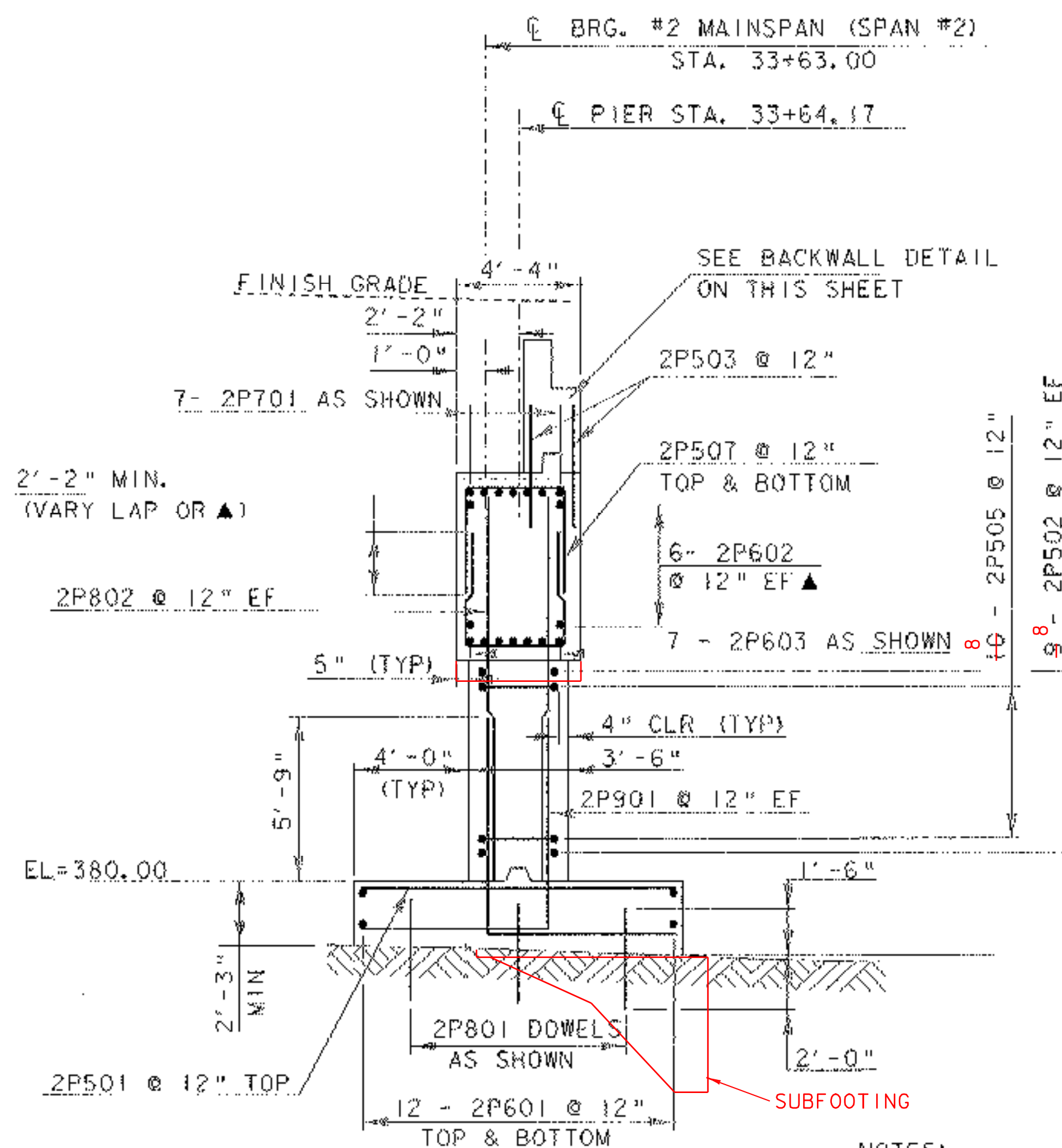
**PIER #2 NOSING DETAIL STRAIGHT BAR**  
SCALE: 1/2" = 1'-0"



**PIER #2 NOSING DETAIL STIRRUP BARS**  
SCALE: 1/2" = 1'-0"

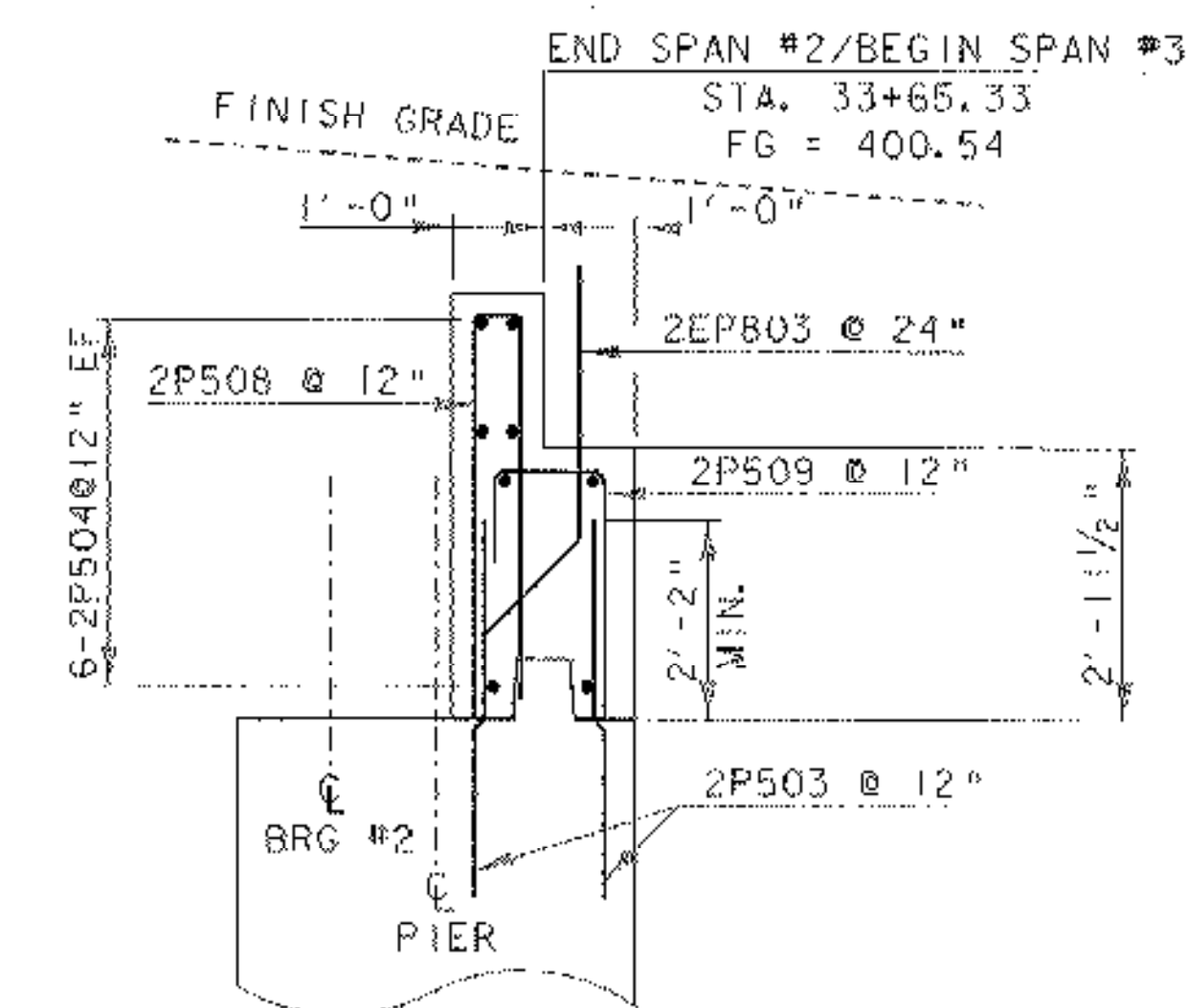


**PIER #2 ELEVATION**  
SCALE: 1/4" = 1'-0"



**PIER #2 SECTION @ C-C**  
SCALE: 1/4" = 1'-0"

NOTES:  
 NF = NEAR FACE  
 FF = FAR FACE  
 EF = EACH FACE  
 ▲ = CUT TO FIT IN FIELD  
 3" CLEAR UNLESS OTHERWISE SPECIFIED ON PLANS  
 ALL LAPS ARE 2'-2" UNLESS OTHERWISE SPECIFIED ON PLANS



**BACKWALL DETAIL**  
SCALE: 1/2" = 1'-0"

0 1 2  
SCALE 1/2" = 1'-0"

0 2 4 6  
SCALE 1/4" = 1'-0"

PROJECT: <b>HARTFORD</b>	PROJECT NO. # <b>BR0-BTN 2004 (1)</b>
DESIGN FILE NAME: 89j045/structures/sj045pier.dgn	PLOT DATE: 11-FEB-2005
(PARAM FILE NAME: sj045pier2.i	DRAWN BY: E. L. RUSTAY
DESIGNED BY: K. M. HIGGINS	CHECKED BY: K. M. HIGGINS
SQUAD LEADER: C. P. WILLIAMS	SHEET: 54 OF 97
PIER #2 DETAILS	