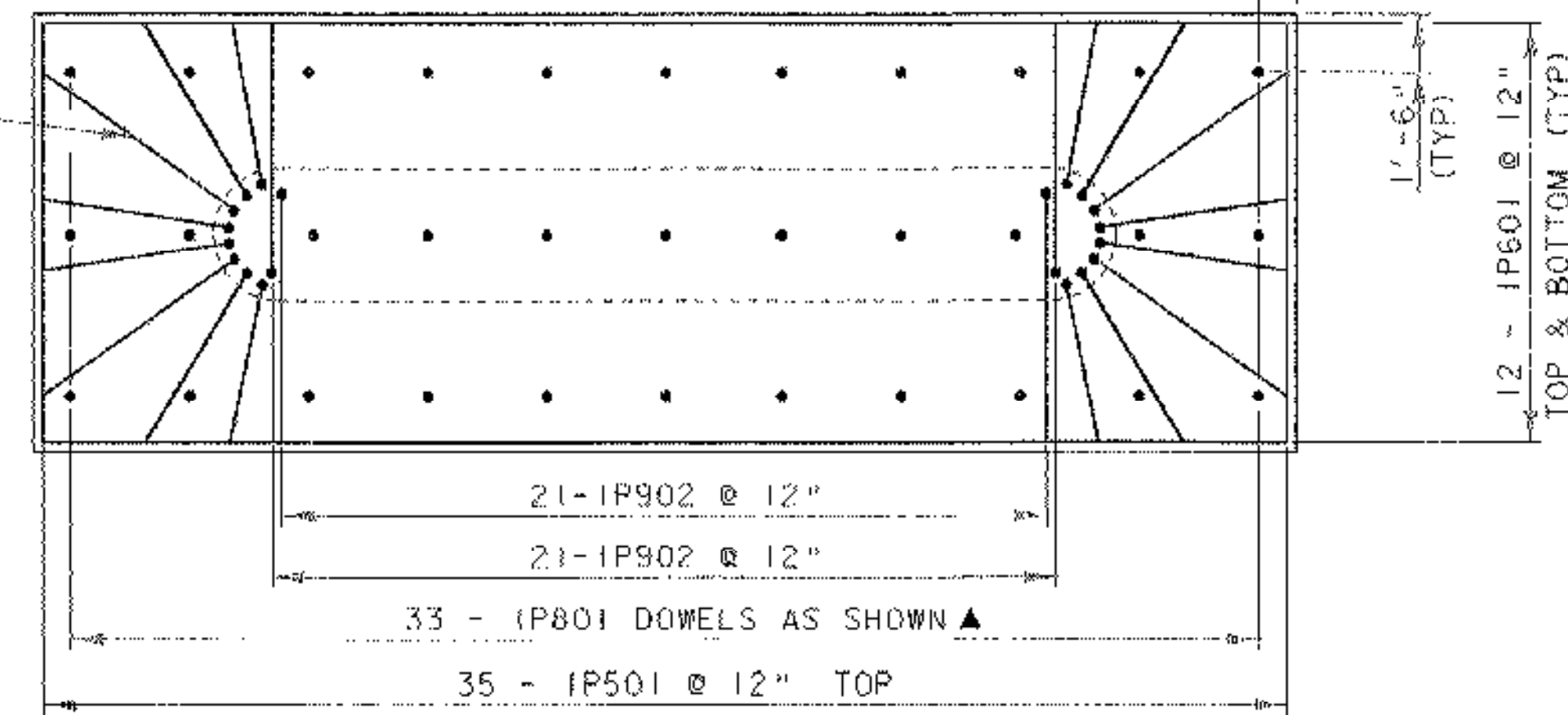


PIER #1 PLAN

SCALE: 1/4" = 1'-0"

8 - IP902 AS SHOWN (TYP) ▲

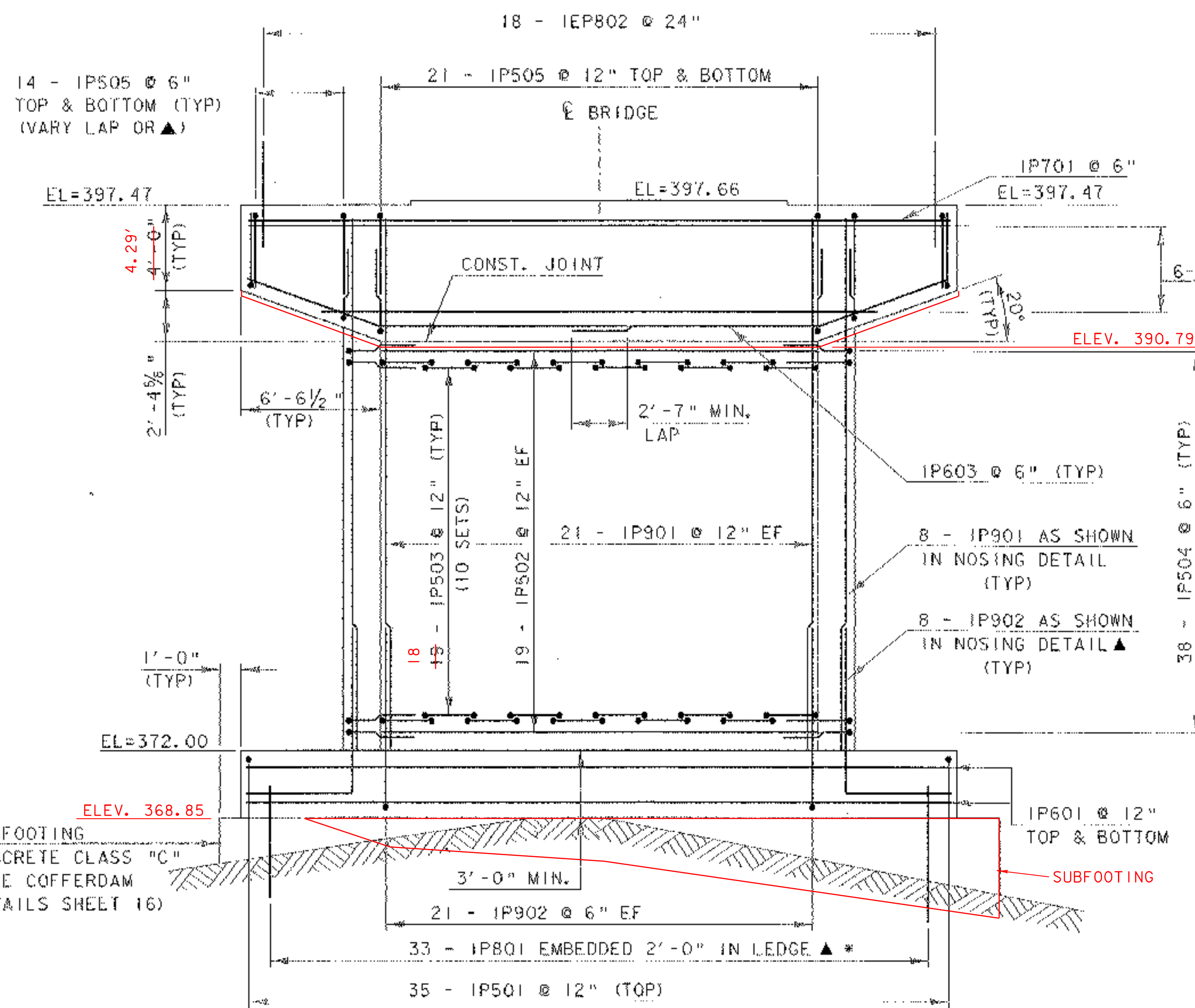
CL BRG. #1 MAINSPAN (SPAN #2)
STA. 32+13.00
CL PIER #1 STA. 32+11.83



PIER #1 FOOTING REINFORCING PLAN

SCALE: 1/4" = 1'-0"

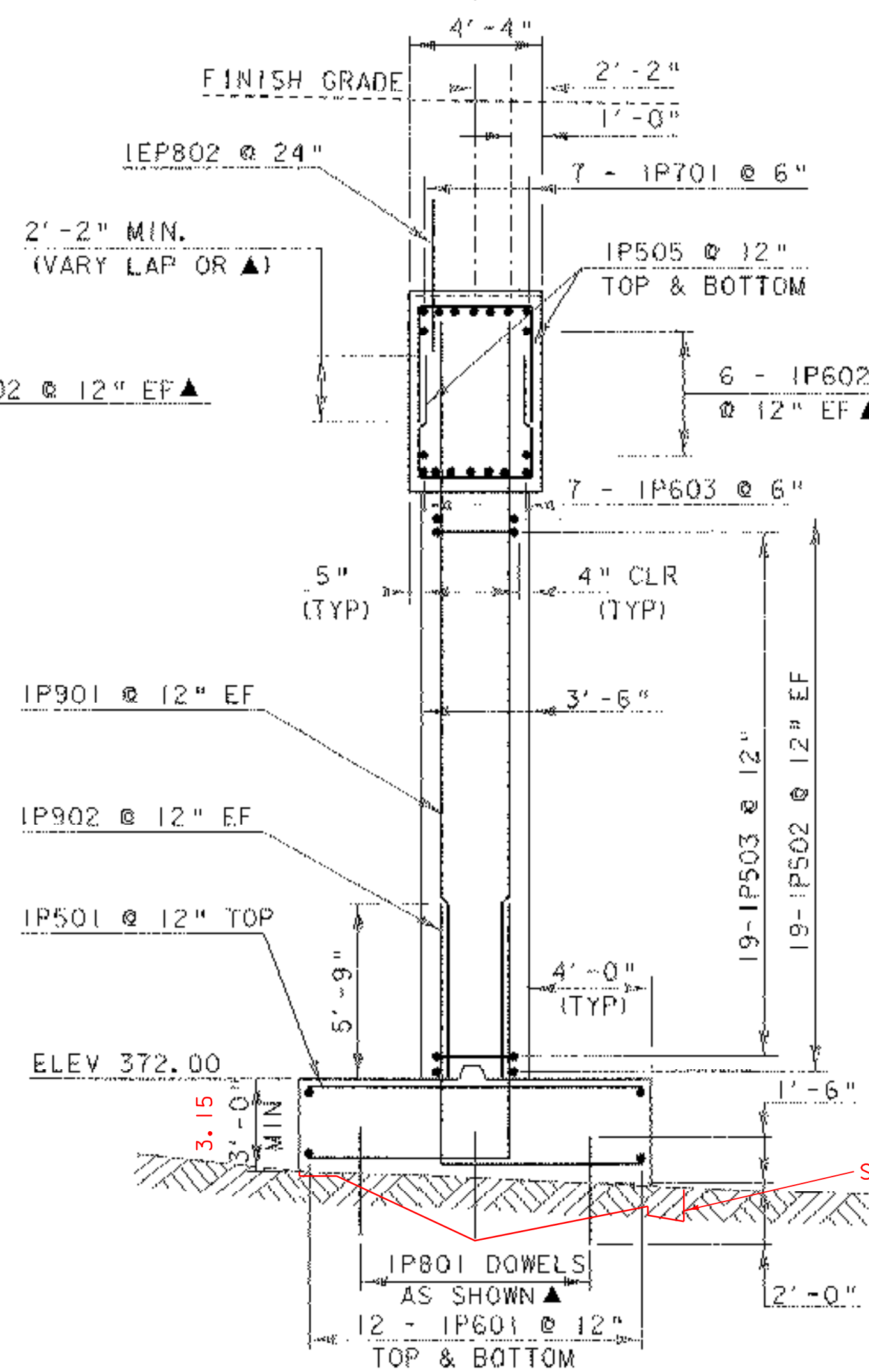
CL PIER #1 STA. 32+11.83 CL BRG. #1 MAINSPAN (SPAN #2)
STA. 32+13.00



PIER #1 ELEVATION

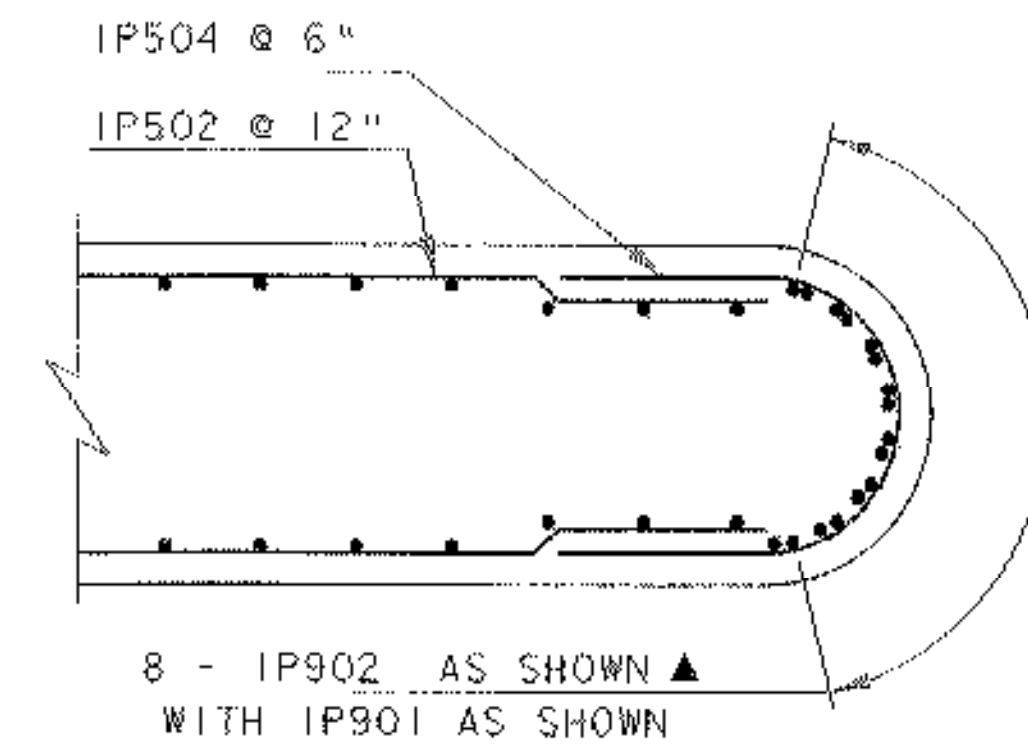
SCALE: 1/4" = 1'-0"

* BAR LENGTH OVERSIZED TO ALLOW EXTENSION THROUGH SUBFOOTING



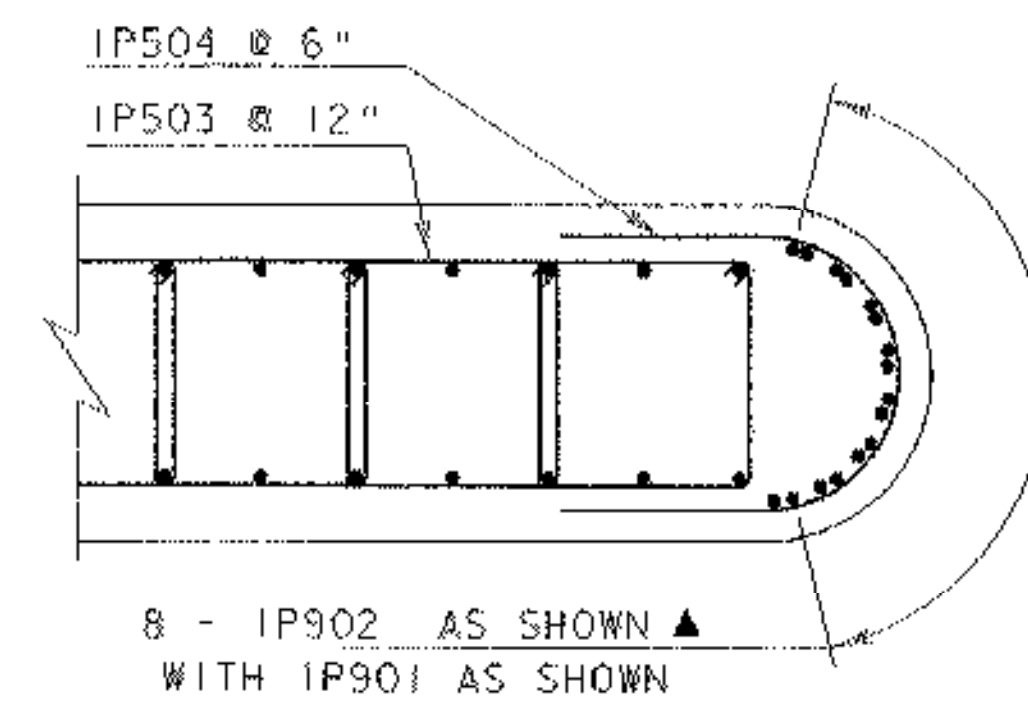
PIER #1 SECTION A-A

SCALE: 1/4" = 1'-0"



PIER #1 NOSING DETAIL STRAIGHT BAR

SCALE: 1/2" = 1'-0"



PIER #1 NOSING DETAIL STIRRUP BARS

SCALE: 1/2" = 1'-0"

SCALE 1/4" = 1'-0"

SCALE 1/4" = 1'-0"

SCALE 1/2" = 1'-0"

NOTES:

- NF = NEAR FACE
- FF = FAR FACE
- EF = EACH FACE
- ▲ = CUT TO FIT IN FIELD

3" CLEAR UNLESS OTHERWISE SPECIFIED ON PLANS

ALL LAPS ARE 2'-2" UNLESS OTHERWISE SPECIFIED ON PLANS

PROJECT: HARTFORD	PROJECT NO.: BRO-BTN 2004 (1)
DESIGN FILE NAME: 89j045/structures/sj045pier.dgn	PLOT DATE: 11-FEB-2005
IPARM FILE NAME: sj045pier.l	DRAWN BY: E. L. RUSTAY
DESIGNED BY: K. M. HIGGINS	CHECKED BY: K. M. HIGGINS
SQUAD LEADER: C. P. WILLIAMS	SHEET: 53 OF 97
PIER #1 DETAILS	