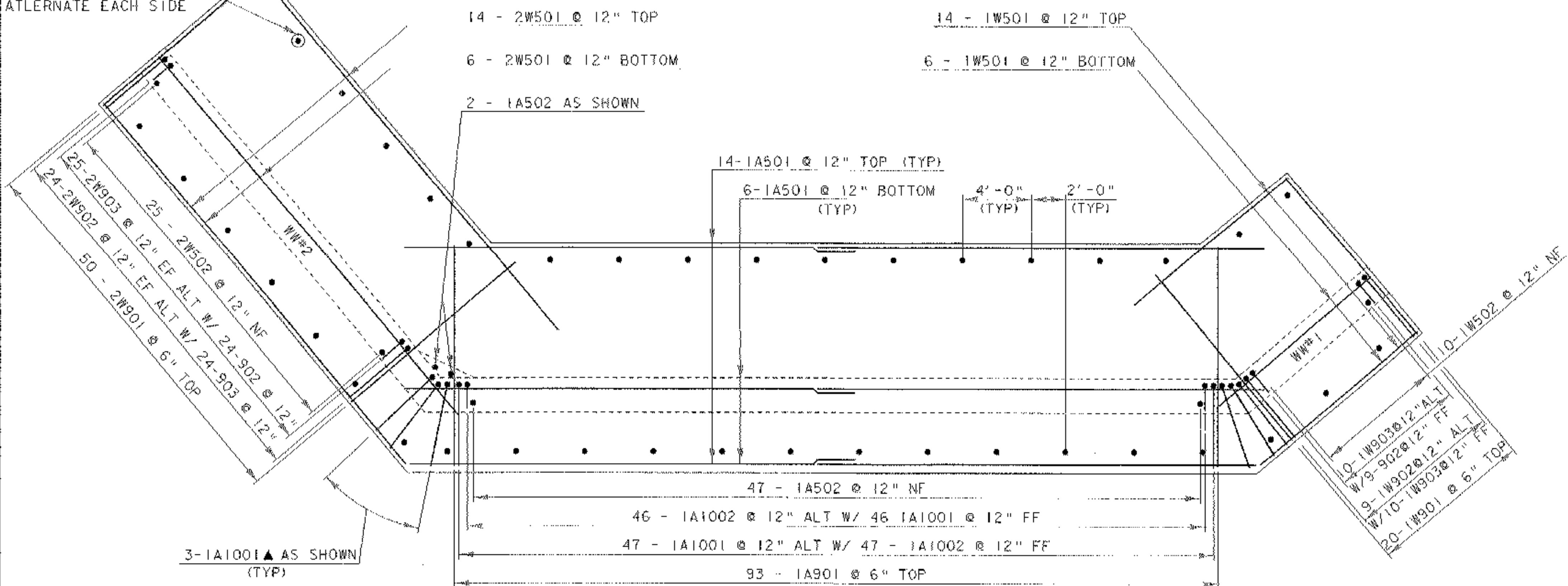
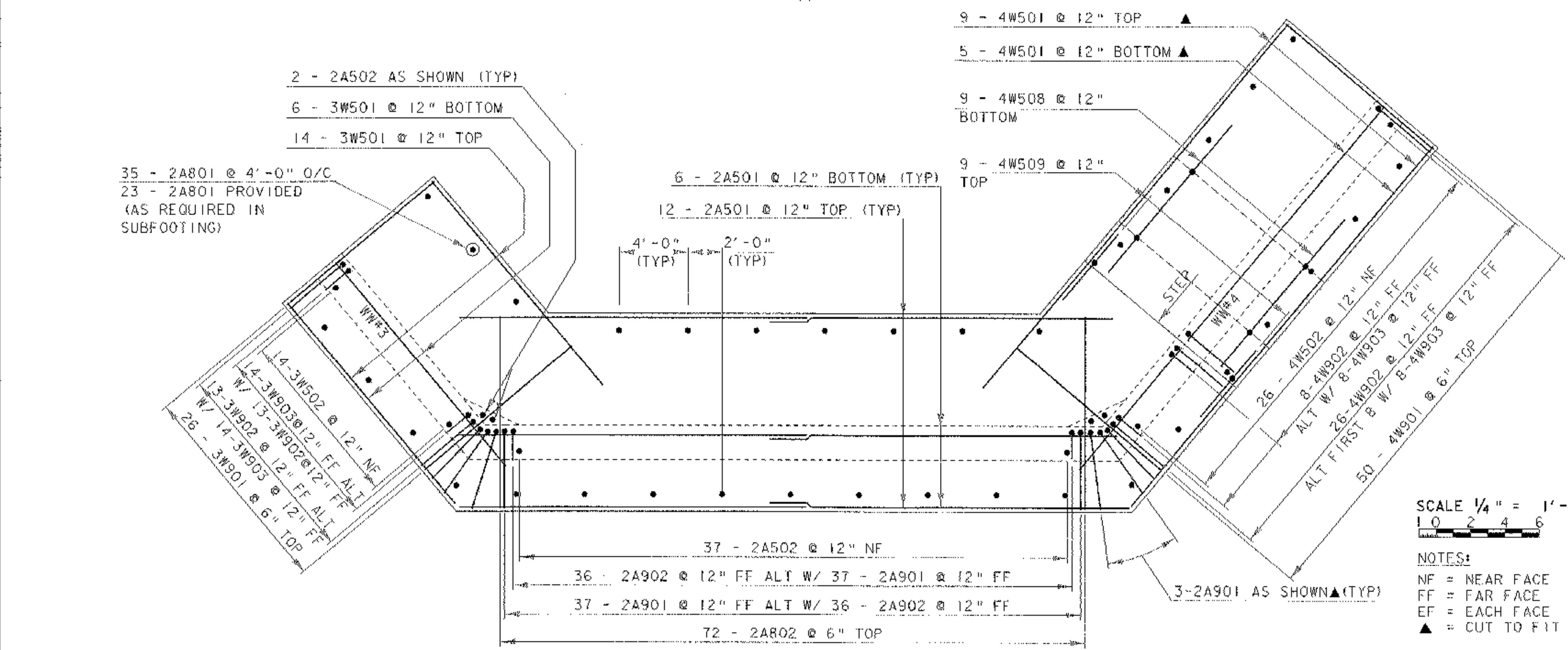


40 - 1A801 @ 4'-0" O/C
ALTERNATE EACH SIDE



ABUTMENT #1 FOOTING PLAN
SCALE 1/4" = 1'-0"



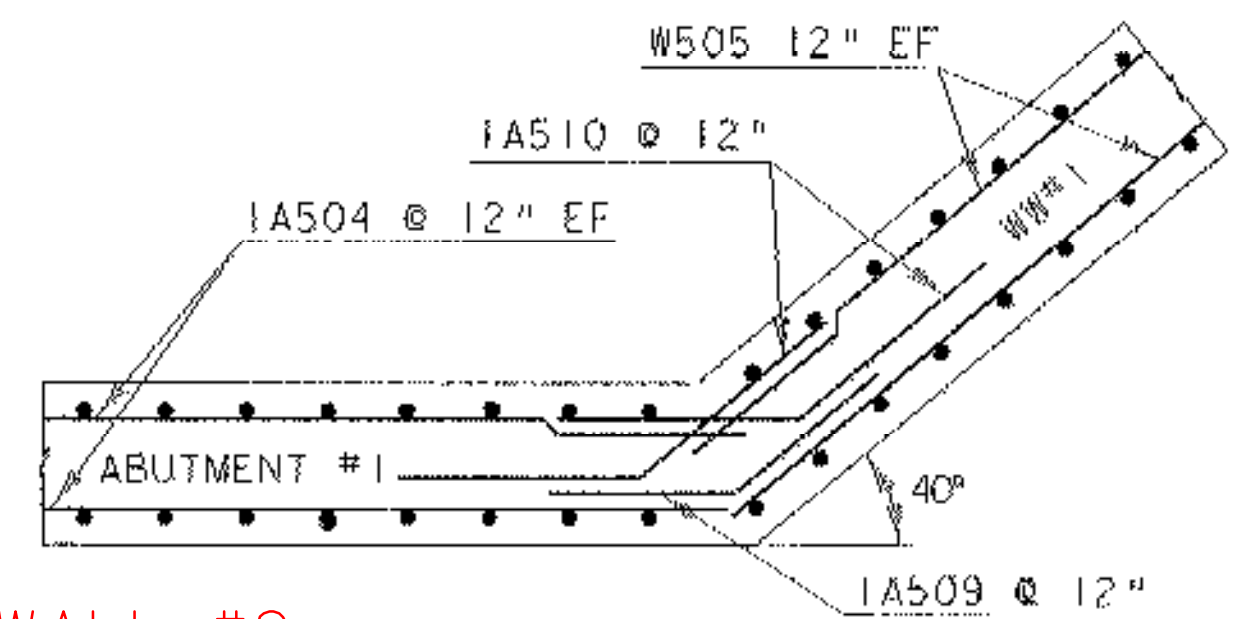
ABUTMENT #2 FOOTING PLAN
SCALE 1/4" = 1'-0"

SCALE 1/4" = 1'-0"
1 0 2 4 6

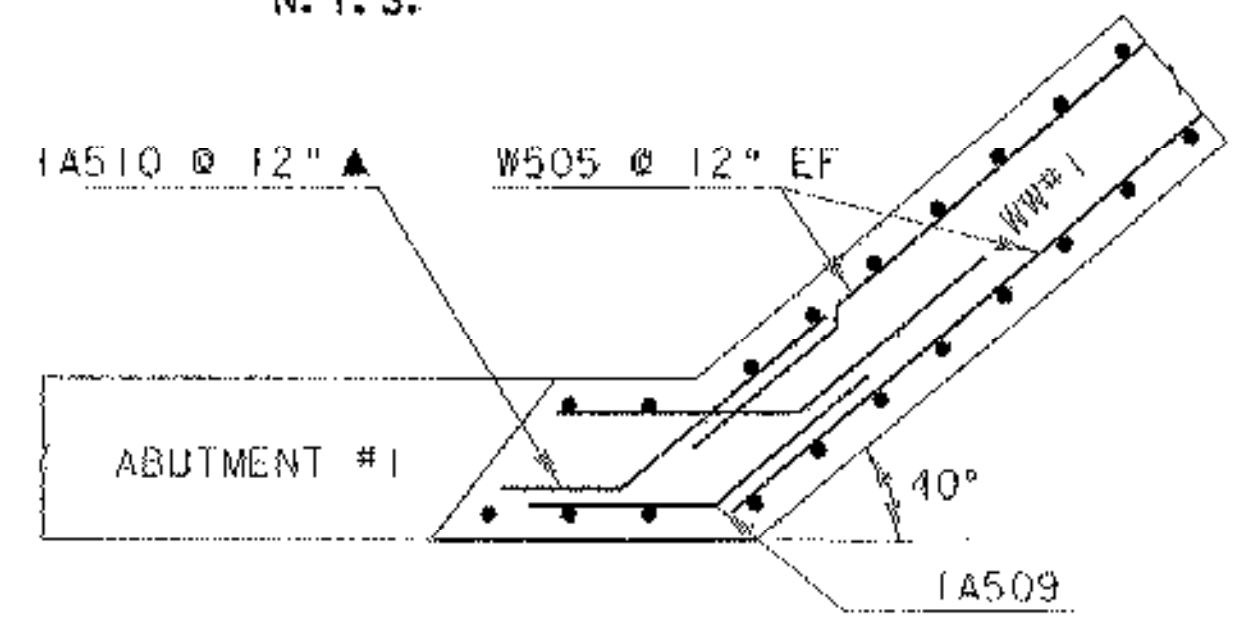
NOTES:
NF = NEAR FACE
FF = FAR FACE
EF = EACH FACE
▲ = CUT TO FIT IN FIELD

3" CLEAR UNLESS OTHERWISE SPECIFIED ON PLANS

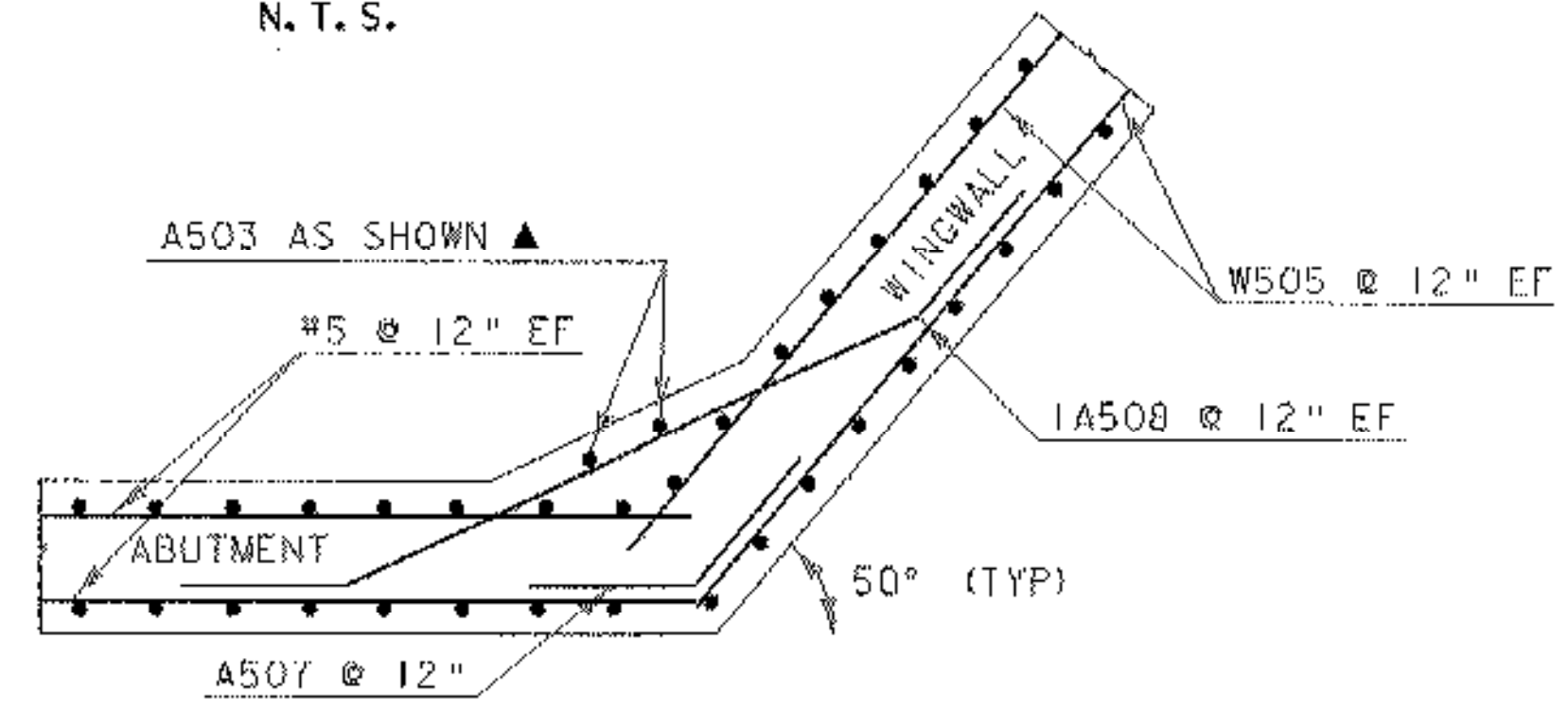
ALL LAPS ARE 2'-2" UNLESS OTHERWISE SPECIFIED ON PLANS



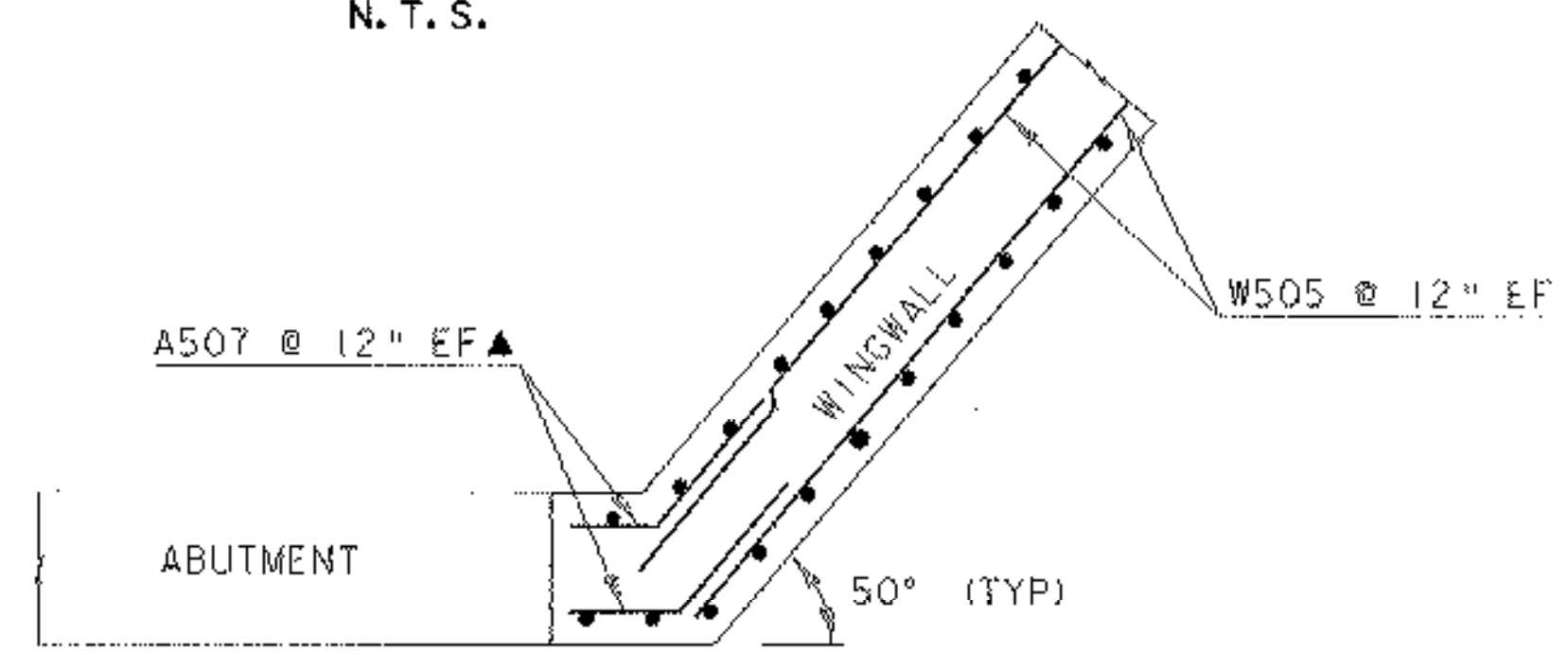
WINGWALL #2 CORNER DETAIL BELOW BRIDGE SEAT
N. T. S.



WINGWALL #1 CORNER DETAIL ABOVE BRIDGE SEAT
N. T. S.



TYPICAL WINGWALL CORNER DETAIL BELOW BRIDGE SEAT
N. T. S.



TYPICAL WINGWALL CORNER DETAIL ABOVE BRIDGE SEAT
N. T. S.

PROJECT: HARTFORD	PROJECT NO.: BRO-BTN 2004 (1)
DESIGN FILE NAME: 89j045/structures/sj045sub.dgn	PLOT DATE: 11-FEB-2005
IPARM FILE NAME: sj045ftg.i	DRAWN BY: E. L. RUSTAY
DESIGNED BY: K. M. HIGGINS	CHECKED BY: K. M. HIGGINS
SQUAD LEADER: C. P. WILLIAMS	SHEET: 52 OF 97
FOOTING REINFORCEMENT DETAILS	