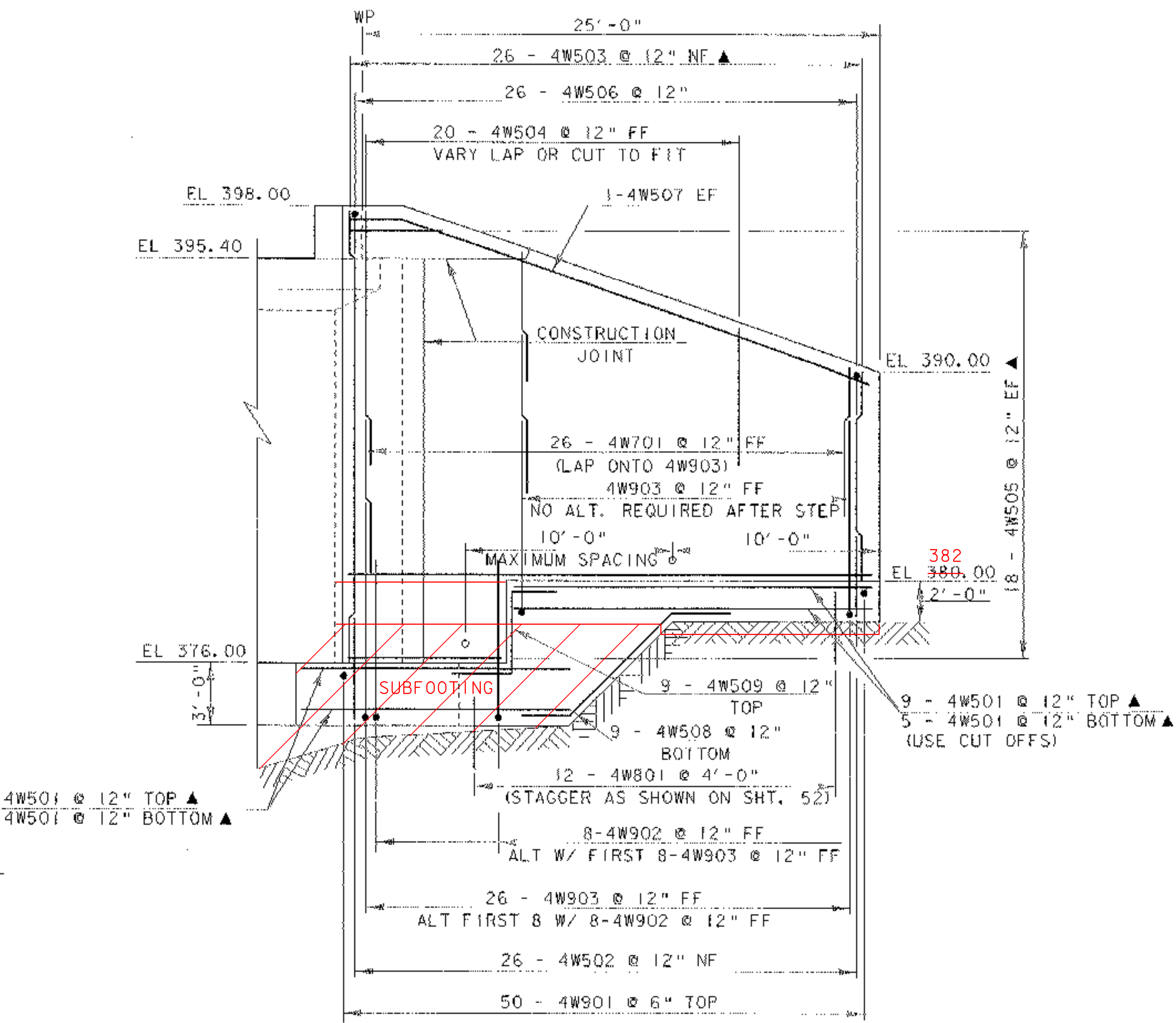
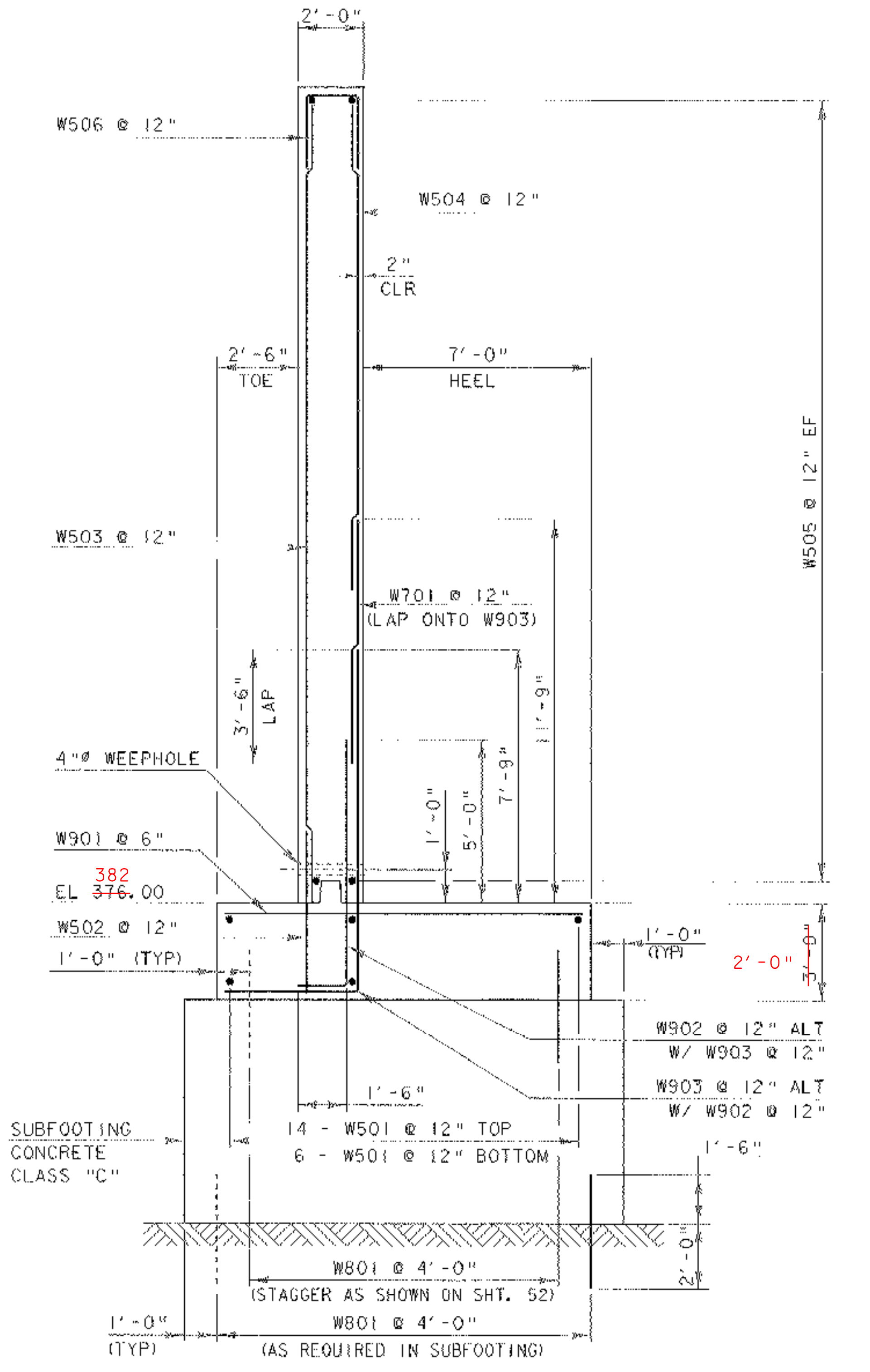


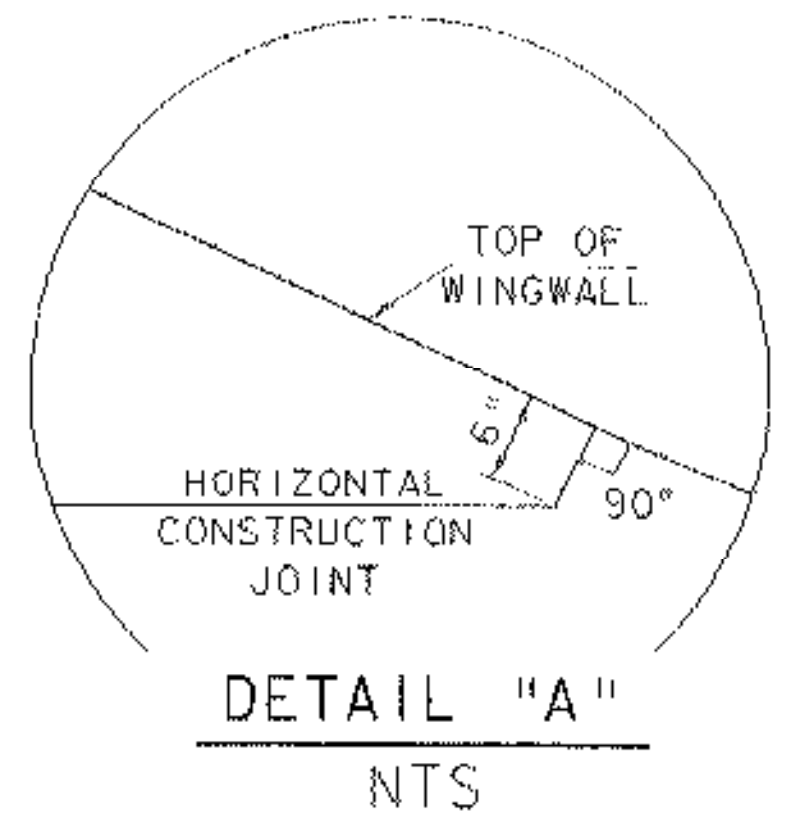
WINGWALL #3 ELEVATION
SCALE 1/4" = 1'-0"
1 0 2 4 6



WINGWALL #4 ELEVATION
SCALE 1/4" = 1'-0"
1 0 2 4 6



WINGWALL #3 & #4 TYPICAL SECTION
SCALE 3/8" = 1'-0"
1 0 1 2 3 4



NOTES:
NF = NEAR FACE
FF = FAR FACE
EF = EACH FACE
▲ = CUT TO FIT IN FIELD
3" CLEAR UNLESS OTHERWISE SPECIFIED ON PLANS
ALL LAPS ARE 2'-2" UNLESS OTHERWISE SPECIFIED ON PLANS

PROJECT: HARTFORD	PROJECT NO. 1: BRO-BTN 2004 (1)
DESIGN FILE NAME: 89j045/structures/sj045sub.dgn	PLOT DATE: 11-FEB-2005
IPARM FILE NAME: sj045ww3x4.i	DRAWN BY: M LONGSTREET
DESIGNED BY: K. M. HIGGINS	CHECKED BY: K. M. HIGGINS
SQUAD LEADER: C. P. WILLIAMS	SHEET: 51 OF 97
WINGWALL 3 & 4 DETAILS	